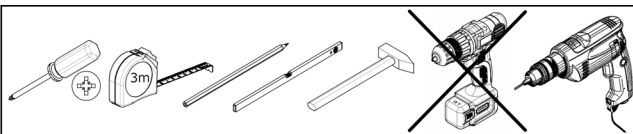
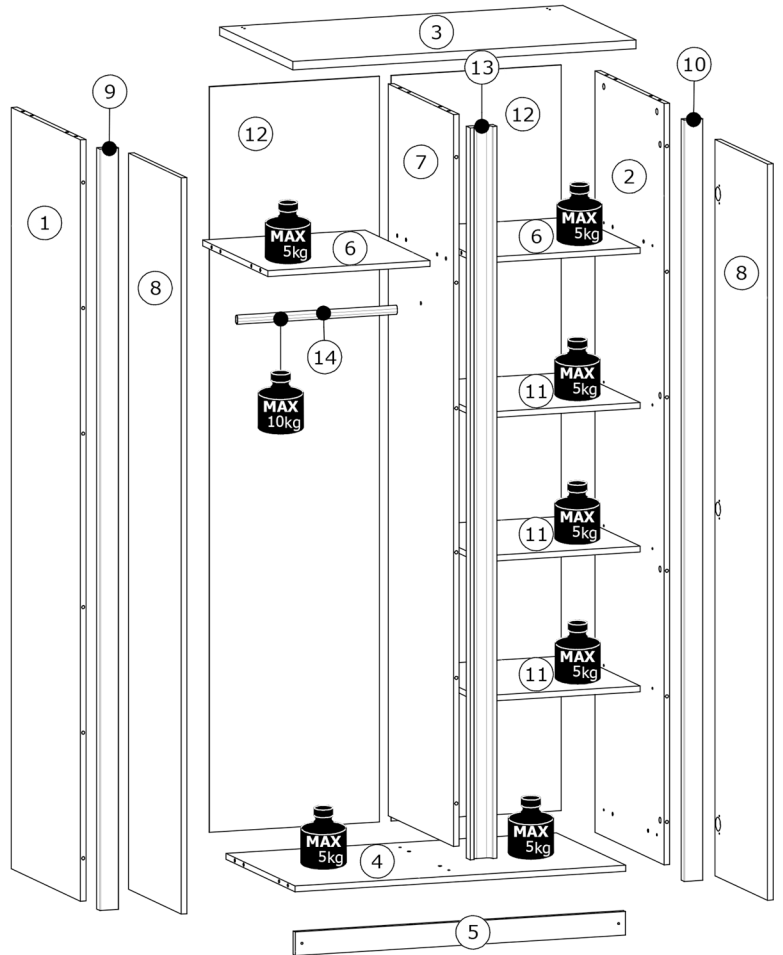
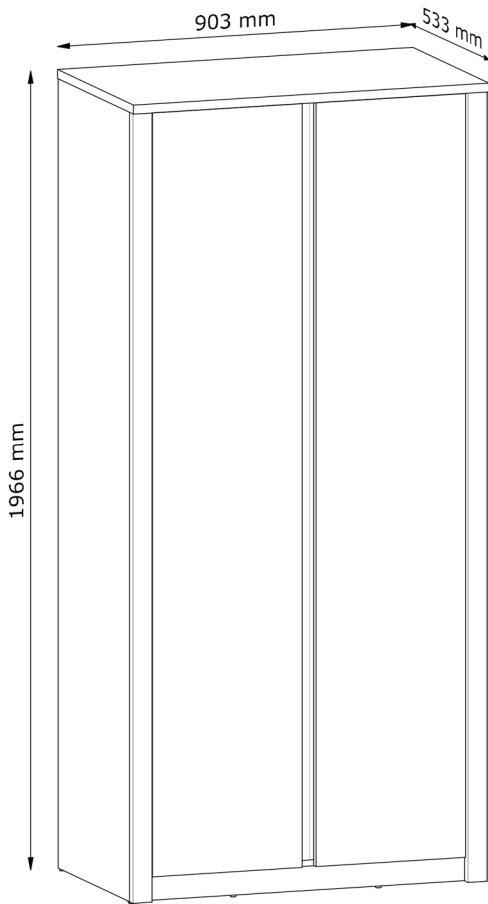


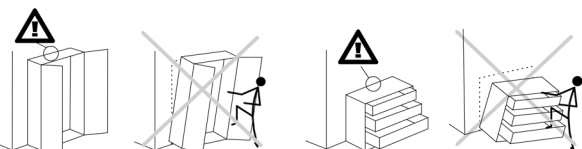
MONTANA

S2D

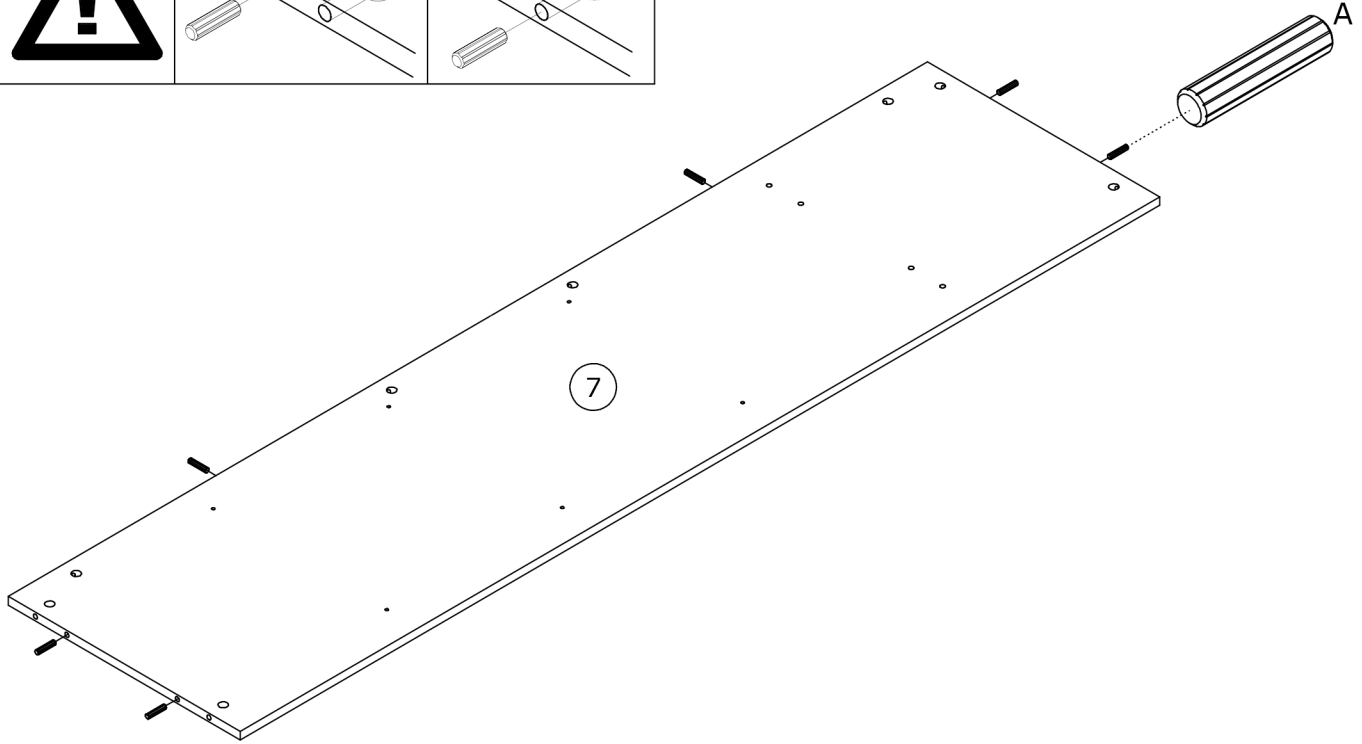
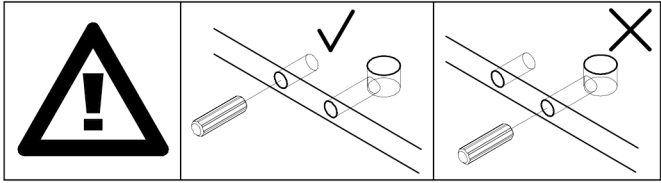
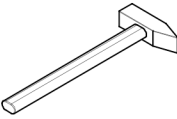
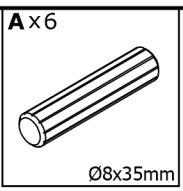


A x26 Ø8x35mm	B x18 Ø3,5x16mm	C x6 Ø15x20mm	D x28 Ø21mm	E x32 Ø15x12mm
F x28 Ø5x38mm	H x54 26mm	J x2 75x28x16 mm	K x6 Ø35mm, 90°	L x12 Ø5x16mm
M x14 22x10mm	N x2 Ø8x60mm	O x4 Ø8x1,5mm	P x2 Ø8x35mm	Q x2 Ø7x70mm
R x2 Ø4x30mm				

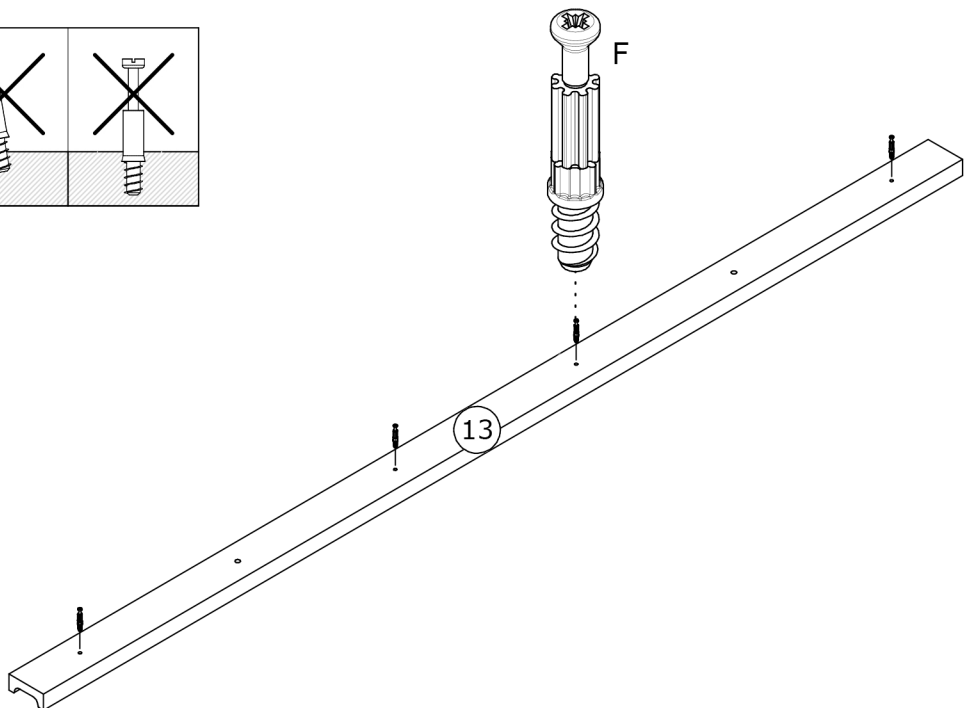
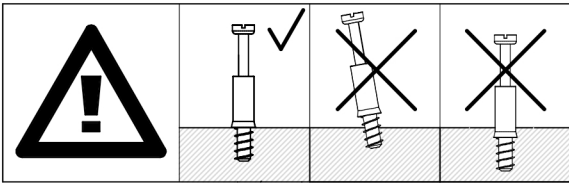
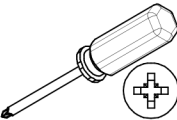
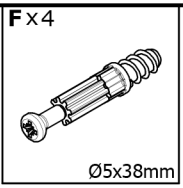
No.	L[mm]	W[mm]	H[mm]	PSC	BOX
1	1940	500	15	1	1/2
2	1940	500	15	1	1/2
3	903	530	22	1	2/2
4	870	500	15	1	2/2
5	869	60	15	1	2/2
6	471	427	15	2	2/2
7	1865	471	15	1	1/2
8	1876	380	15	2	1/2
9	1940	50	22	1	1/2
10	1940	50	22	1	1/2
11	471	427	15	3	2/2
12	1900	447	2,5	2	1/2
13	1865	70	28	1	1/2
14	420	22	15	1	2/2



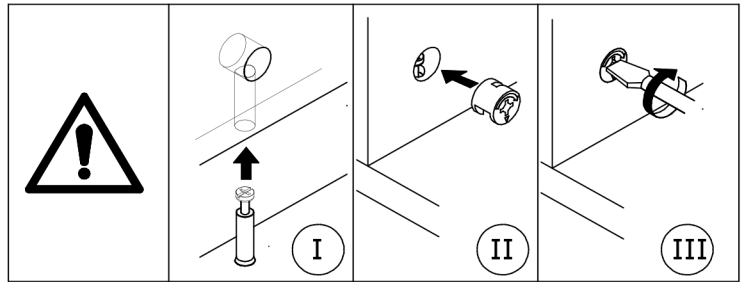
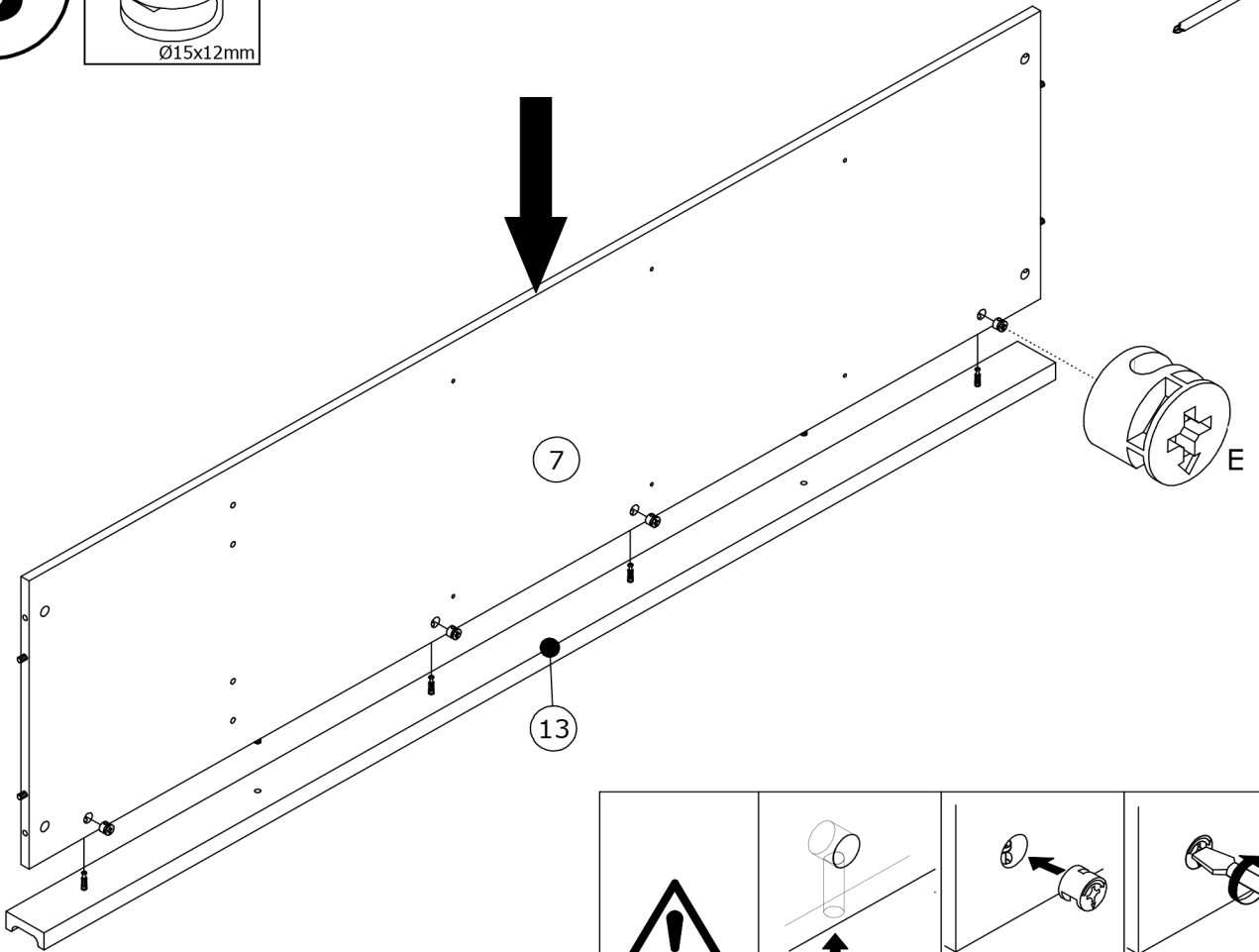
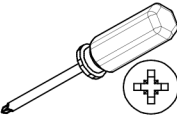
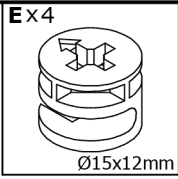
1



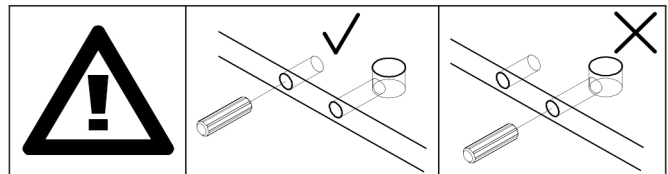
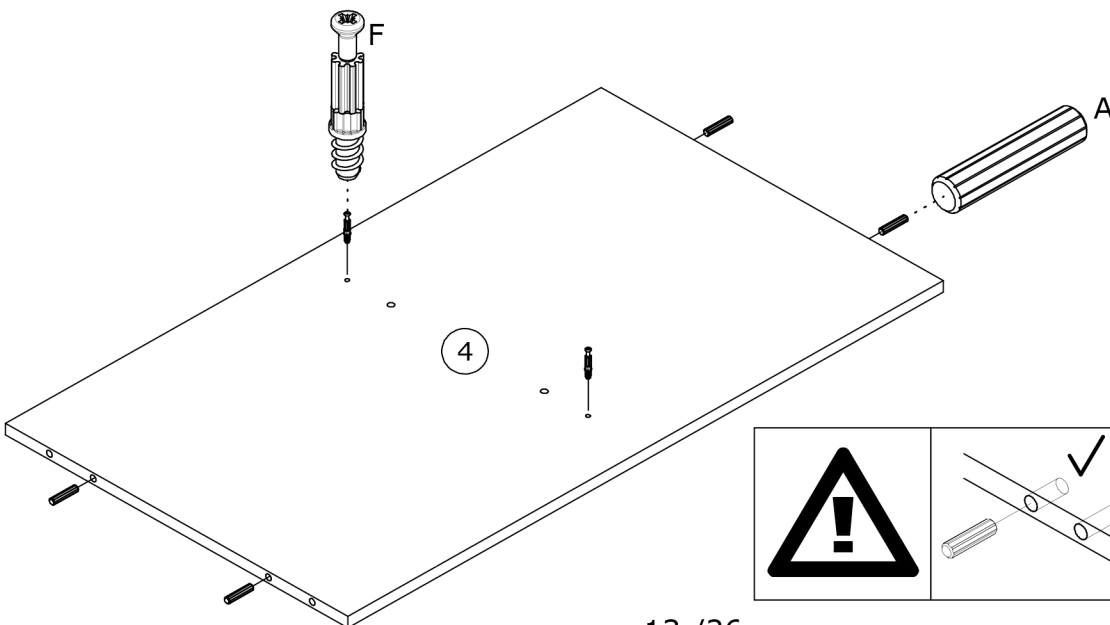
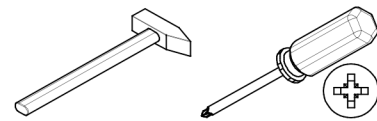
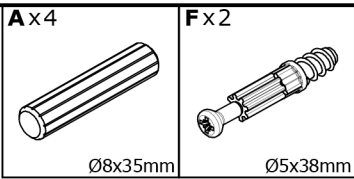
2



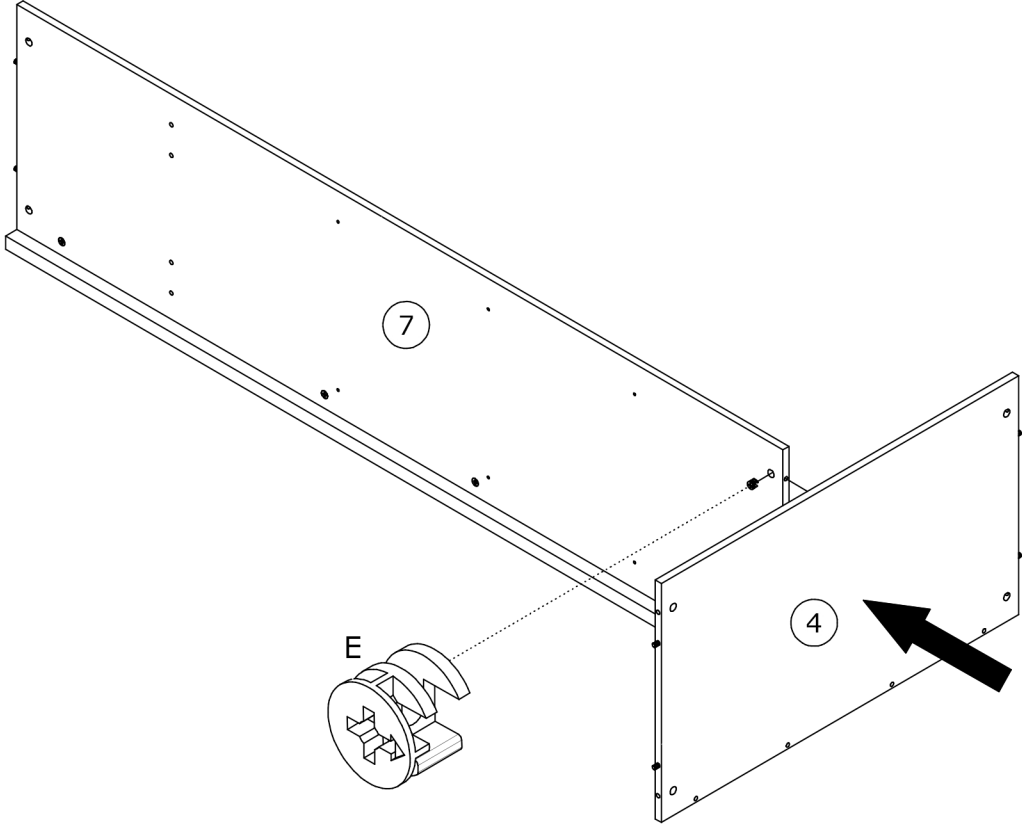
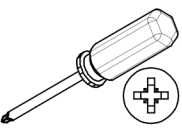
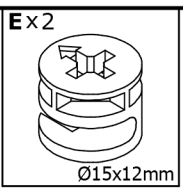
3



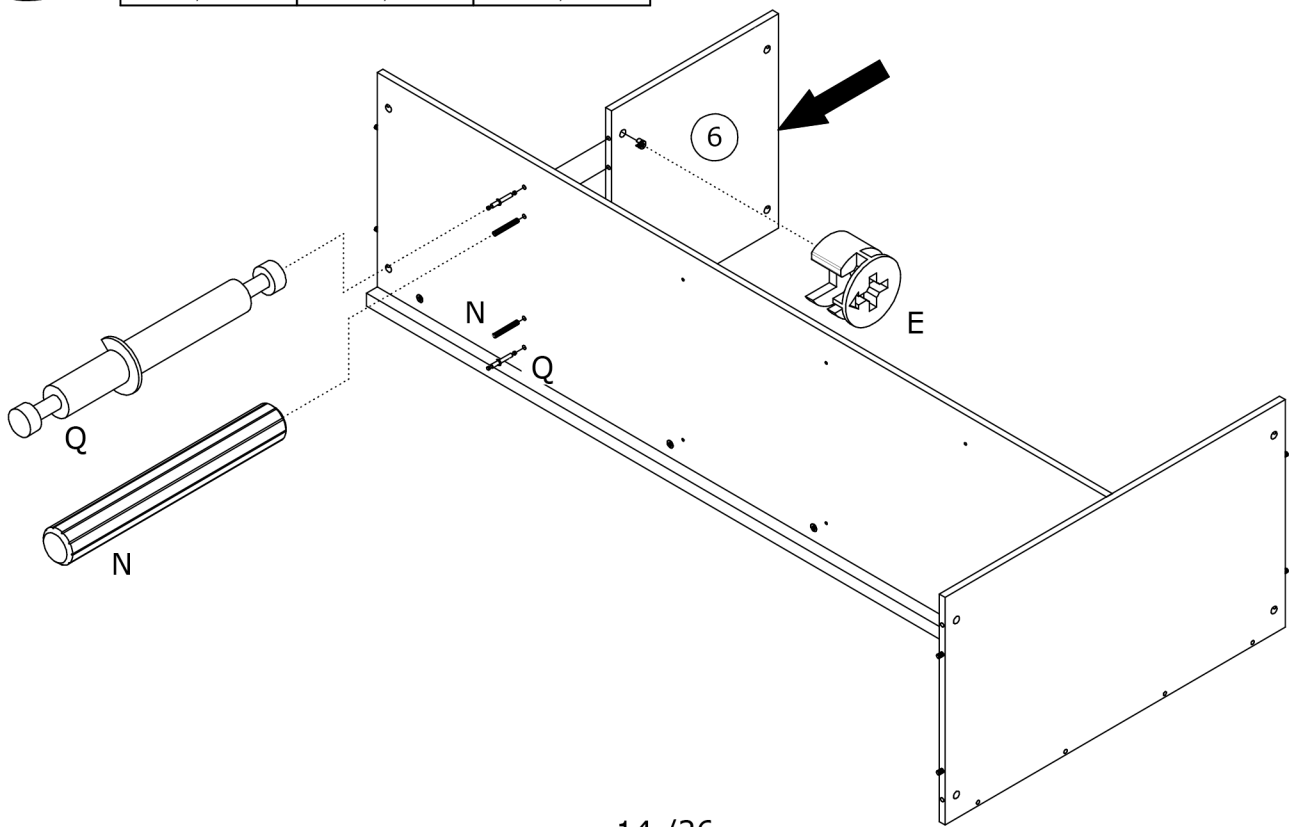
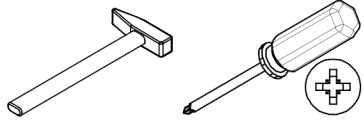
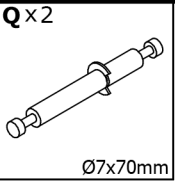
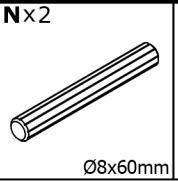
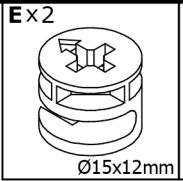
4



5

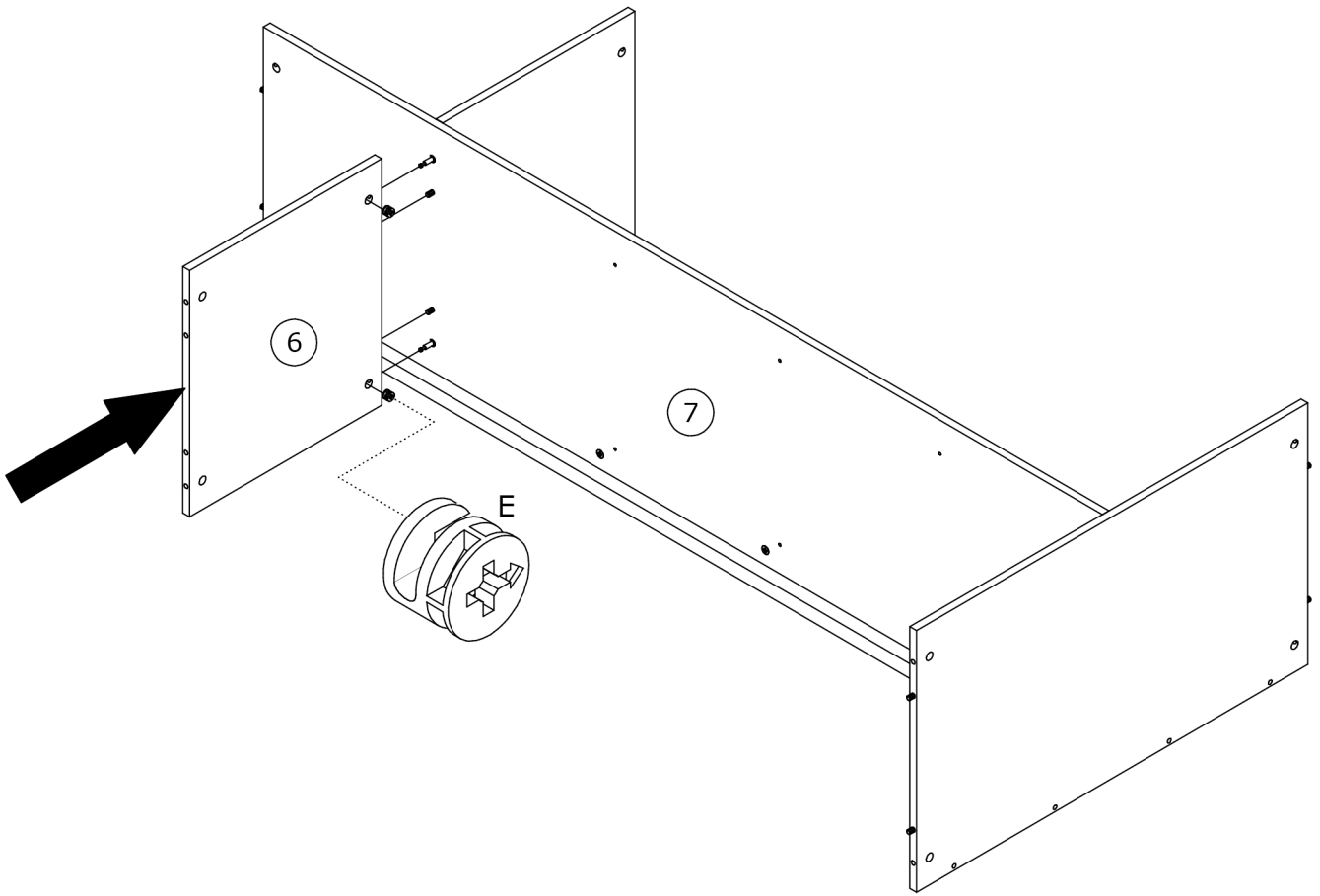
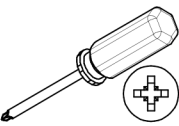


6



7

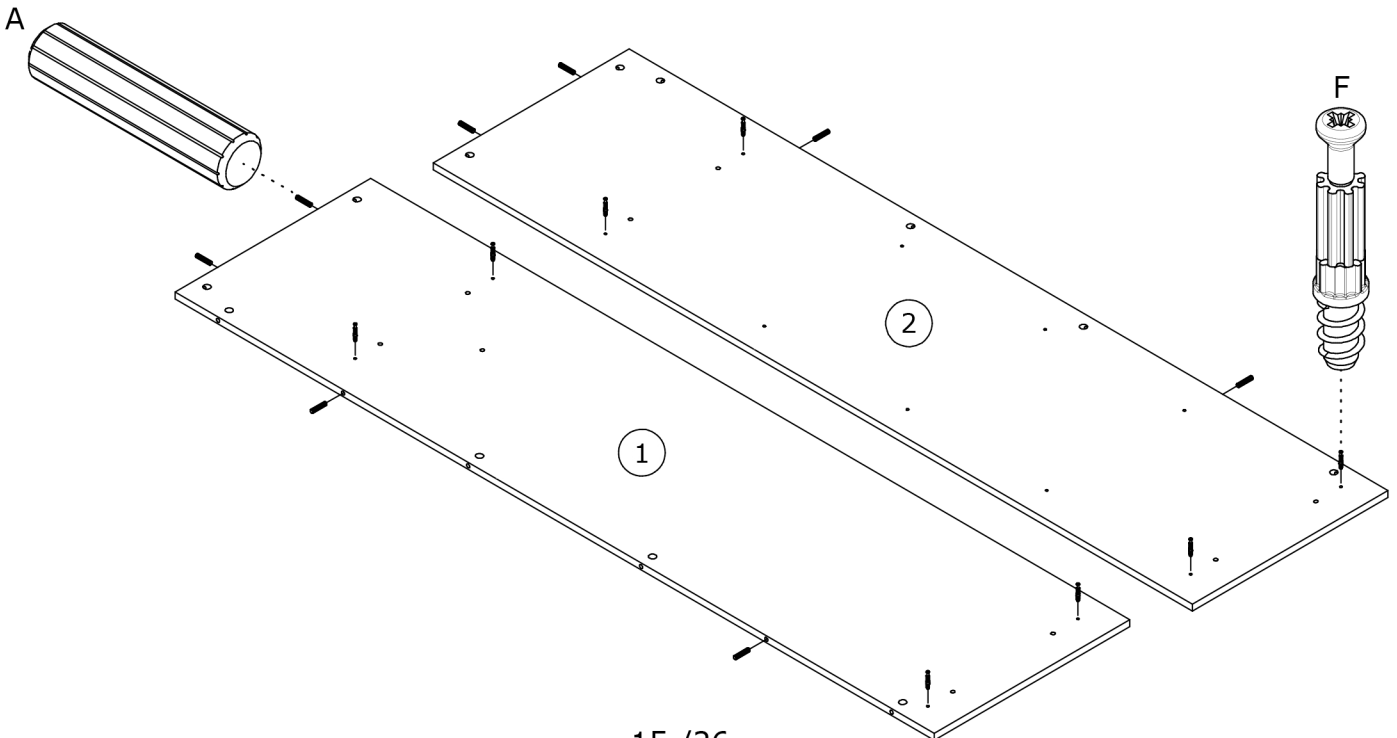
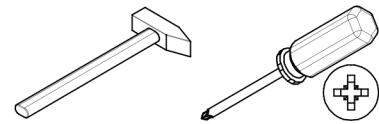
E x 2
Ø15x12mm



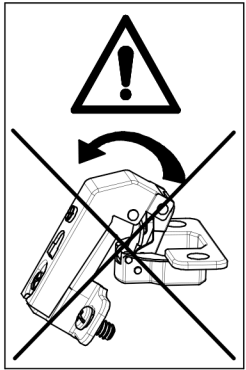
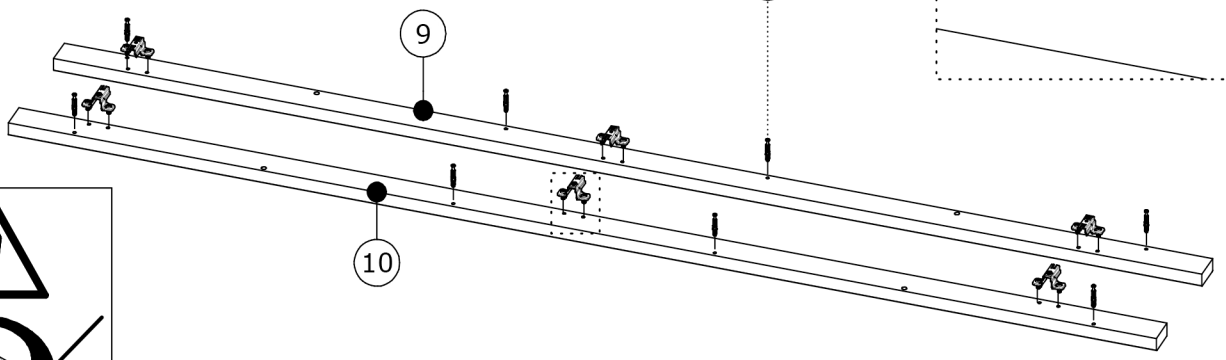
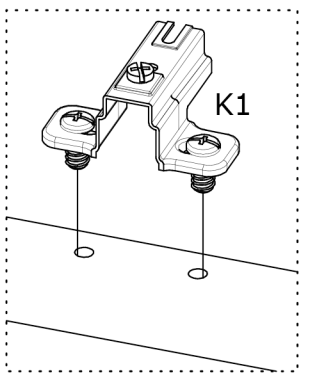
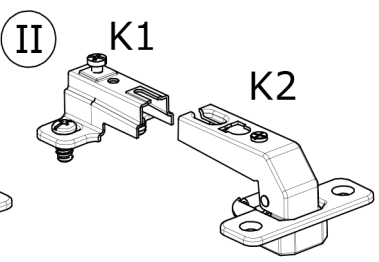
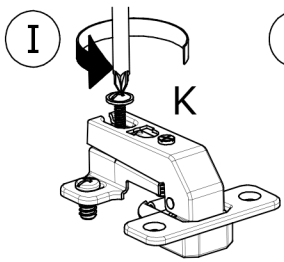
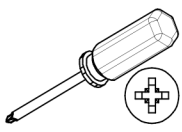
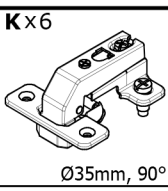
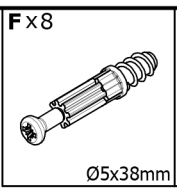
8

A x 8
Ø8x35mm

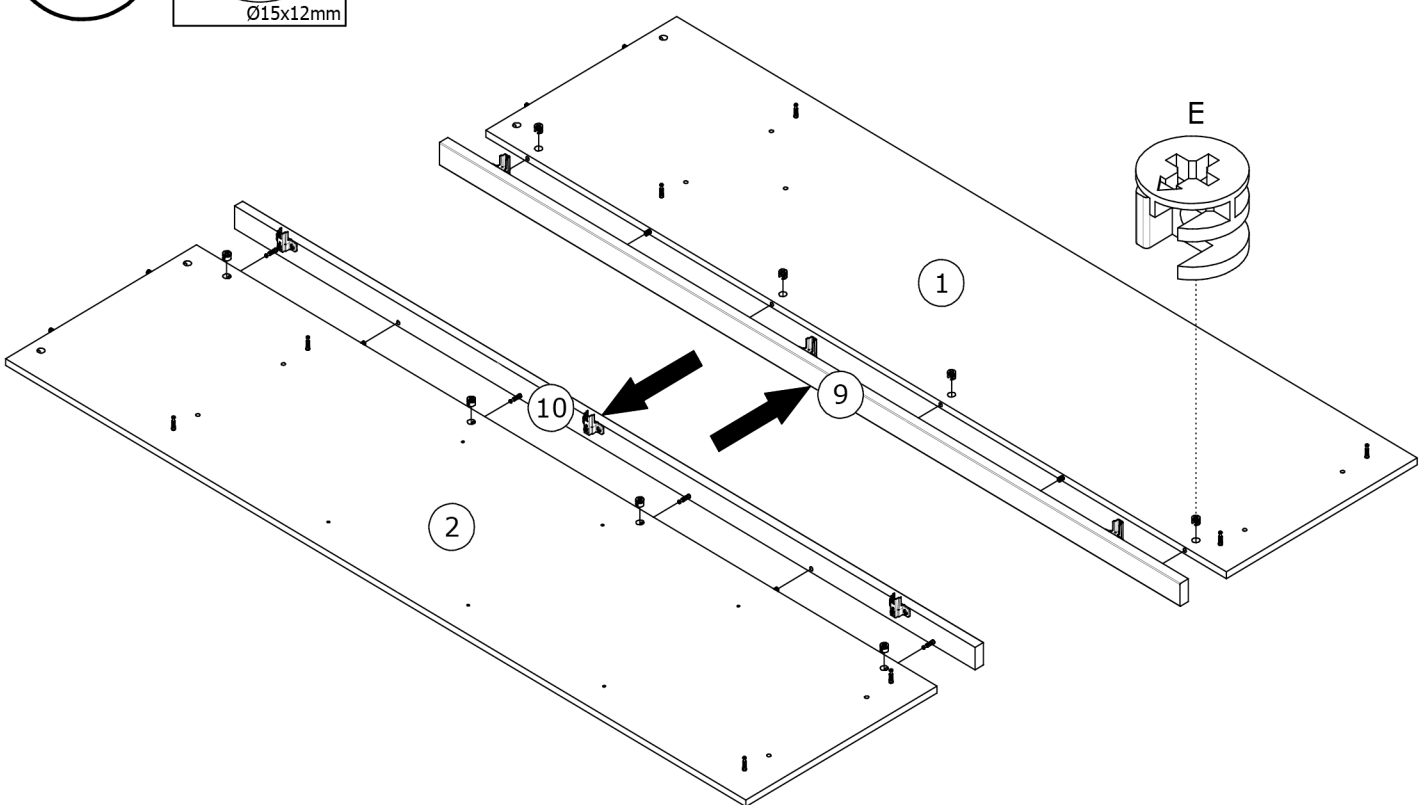
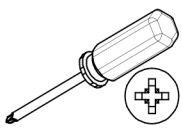
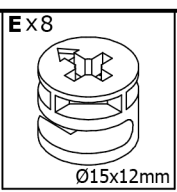
F x 8
Ø5x38mm



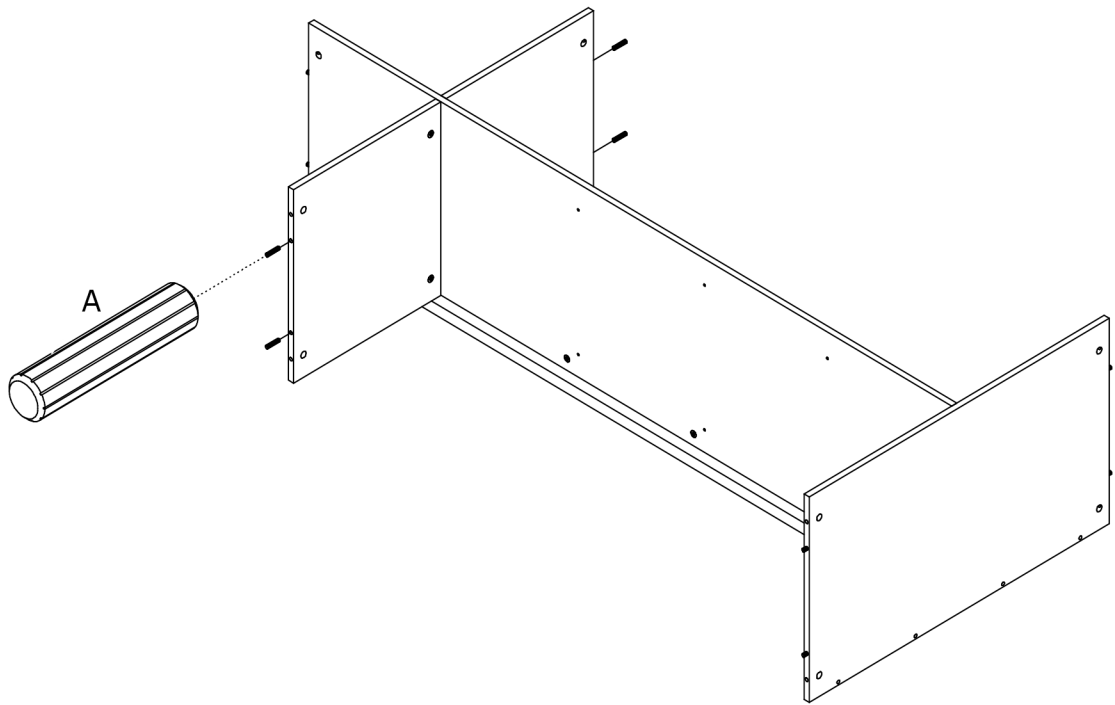
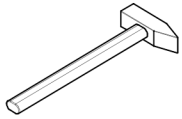
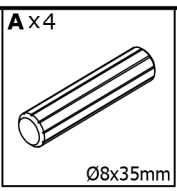
9



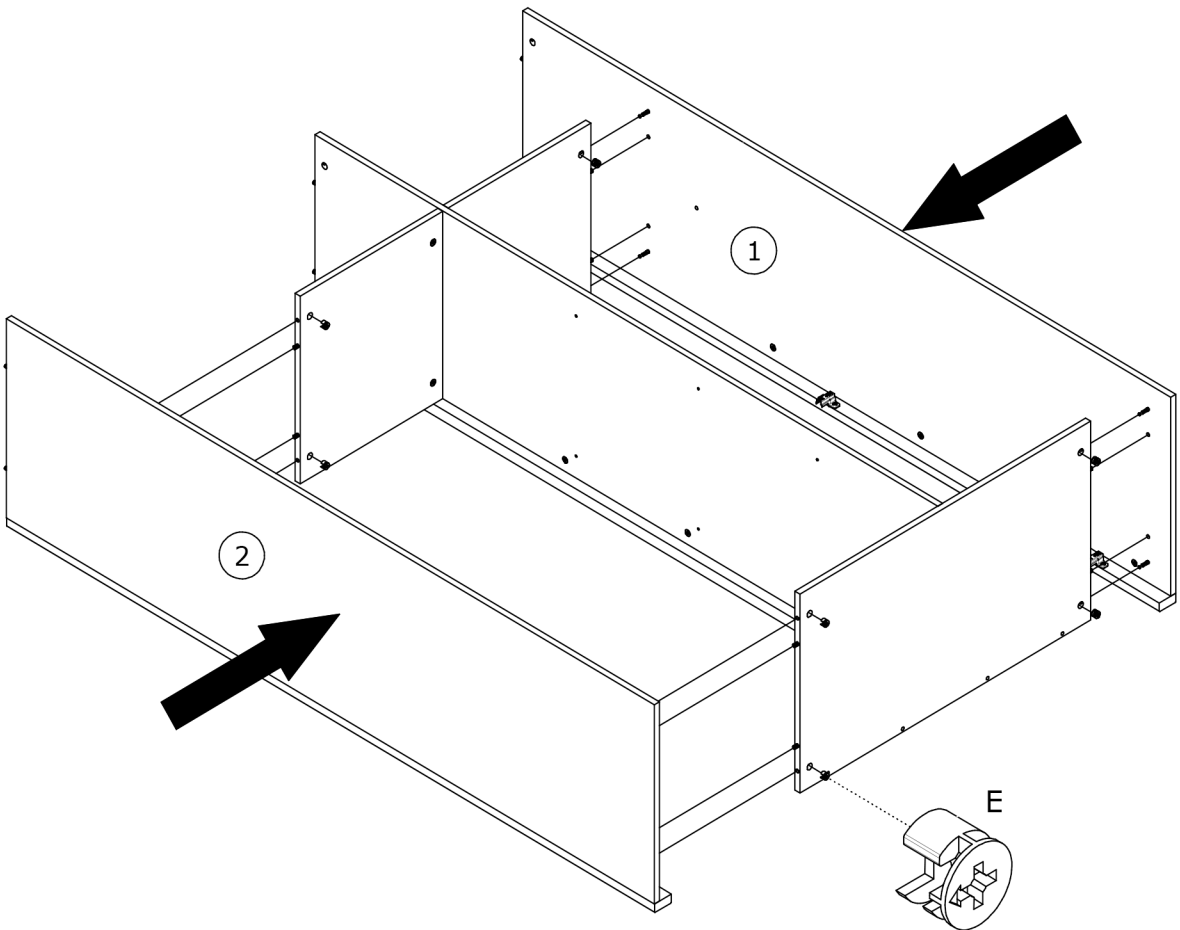
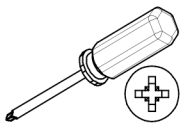
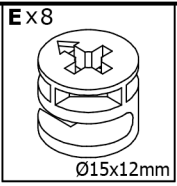
10



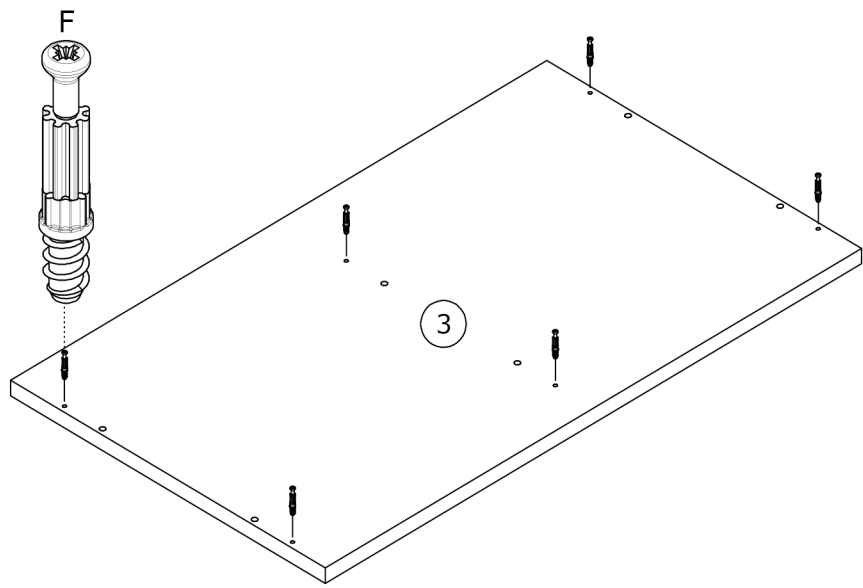
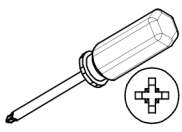
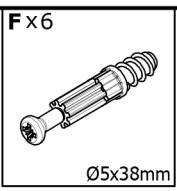
11



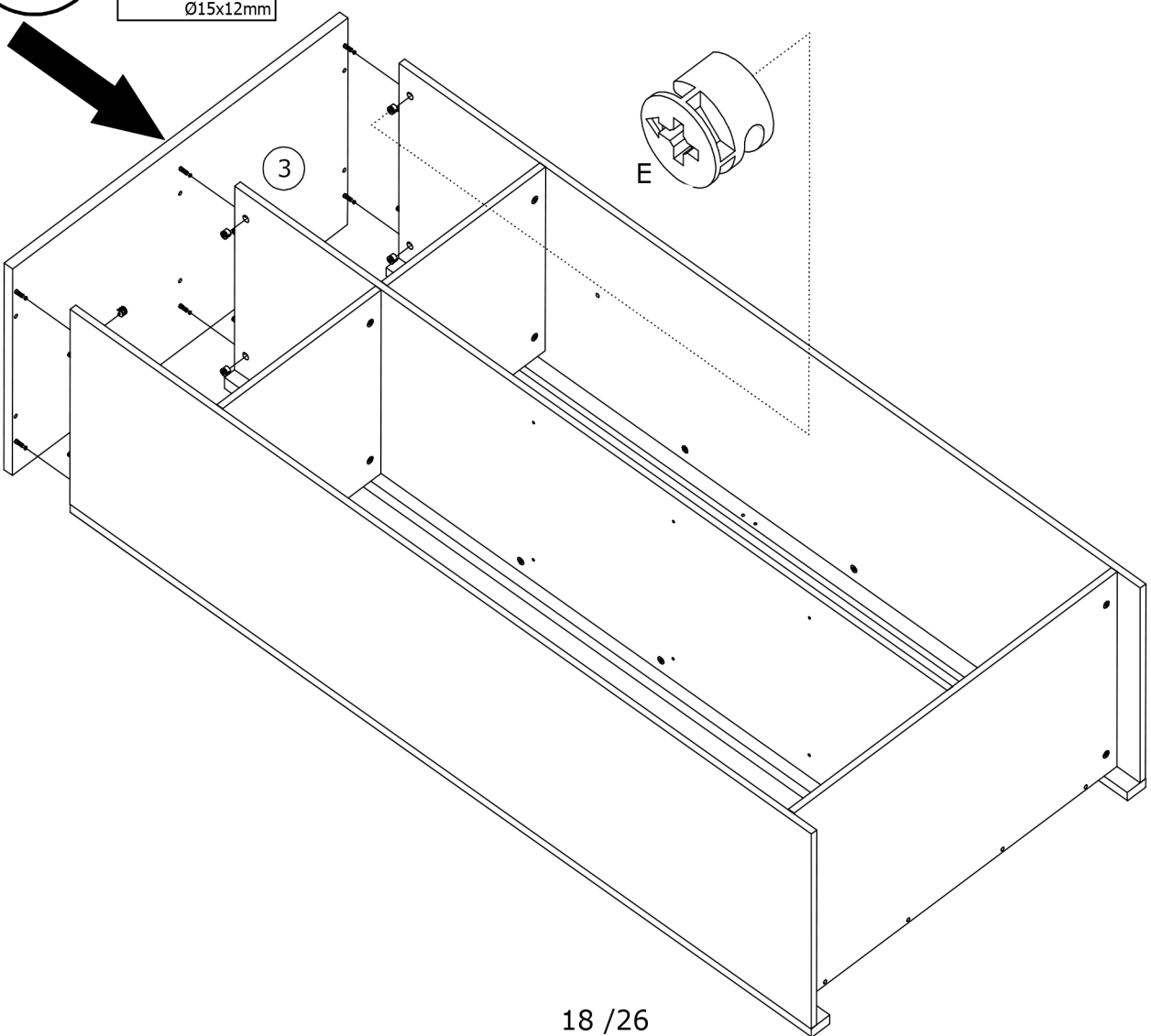
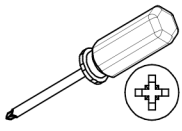
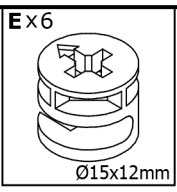
12



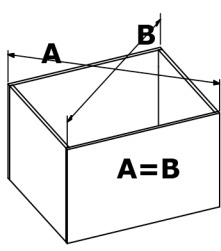
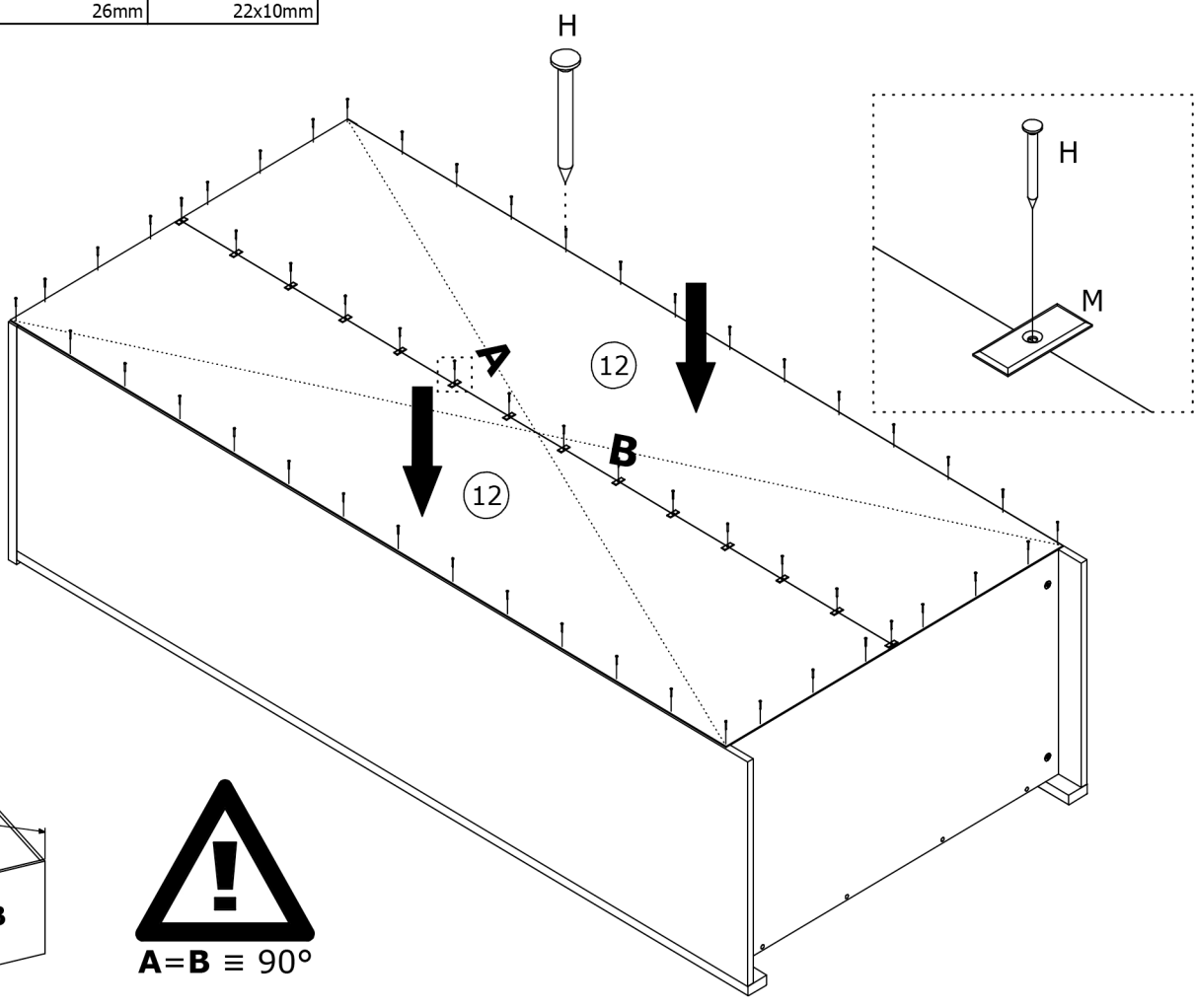
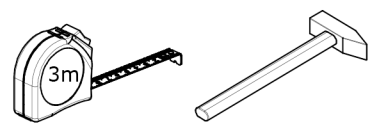
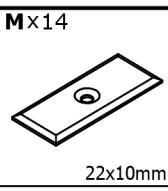
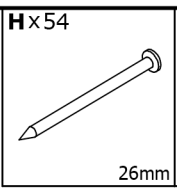
13



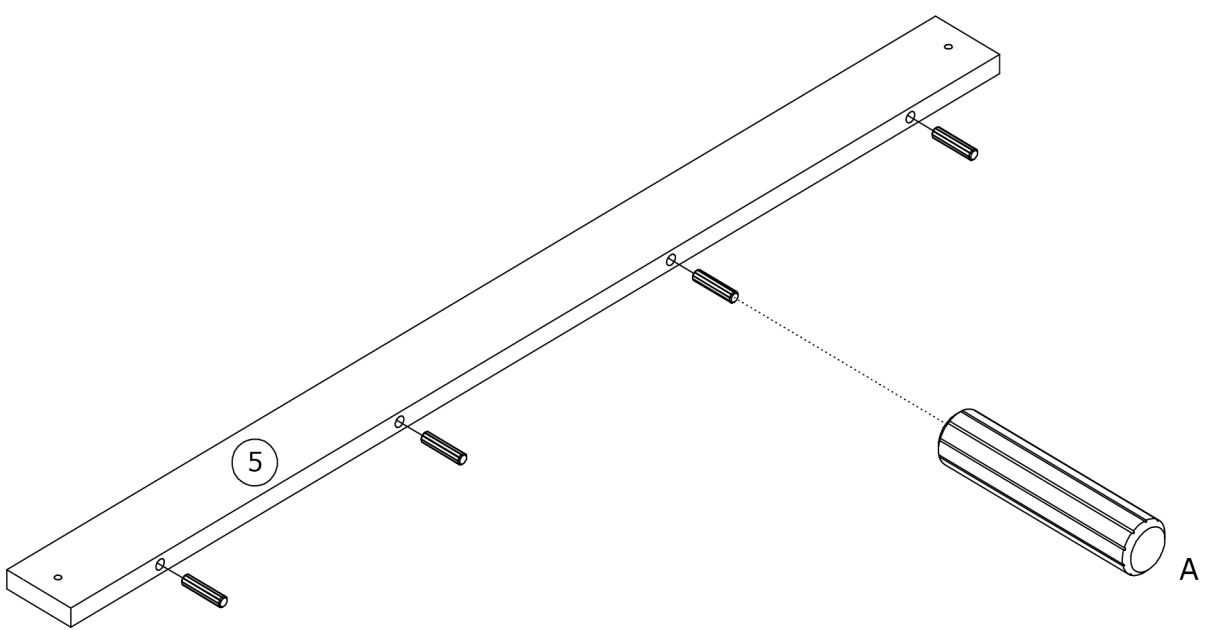
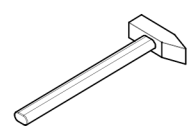
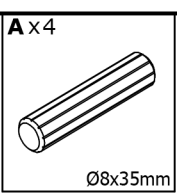
14



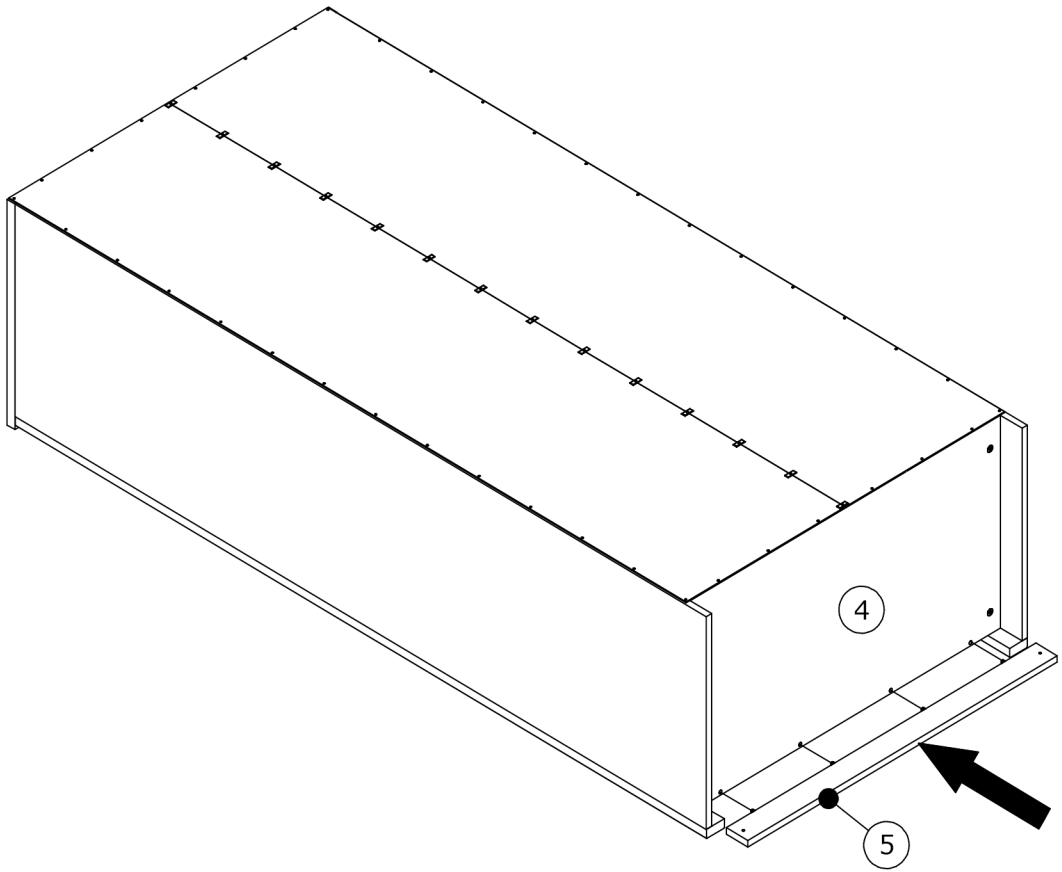
15



16



17



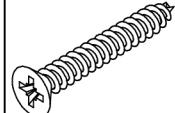
18

Cx6

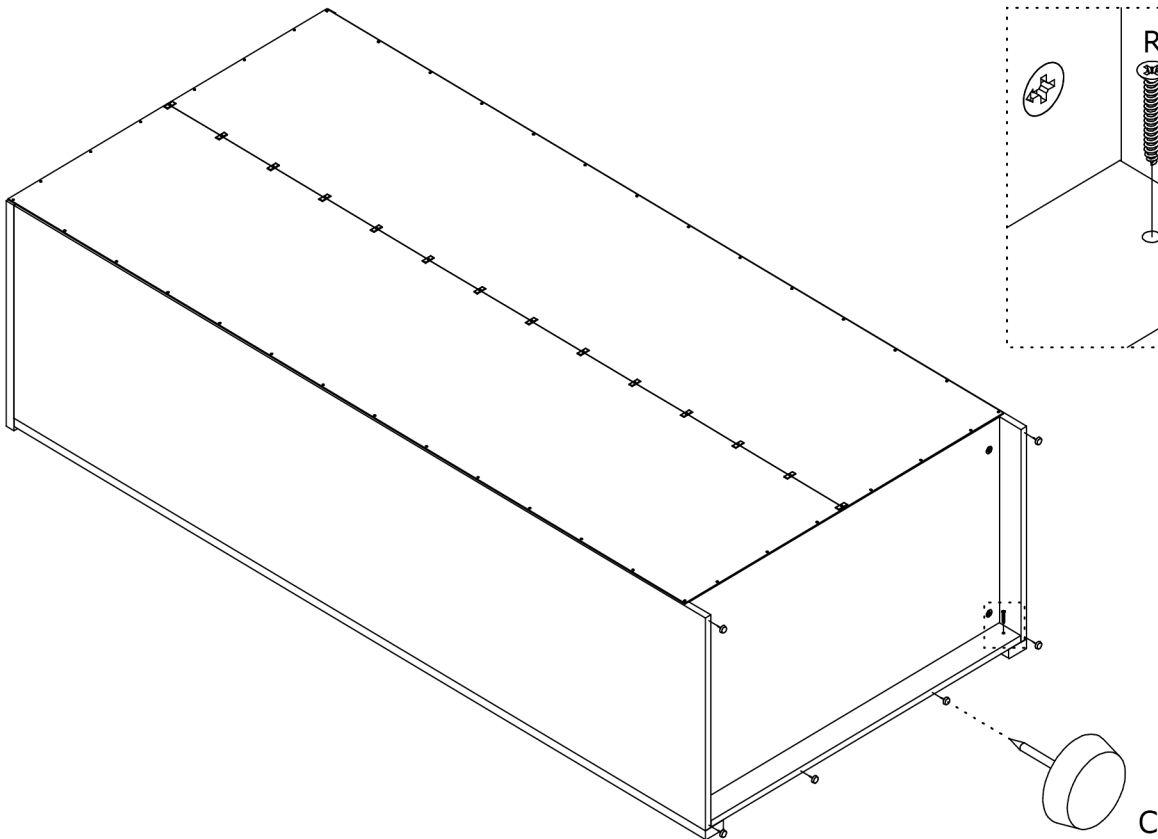
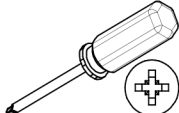


Ø15x20mm

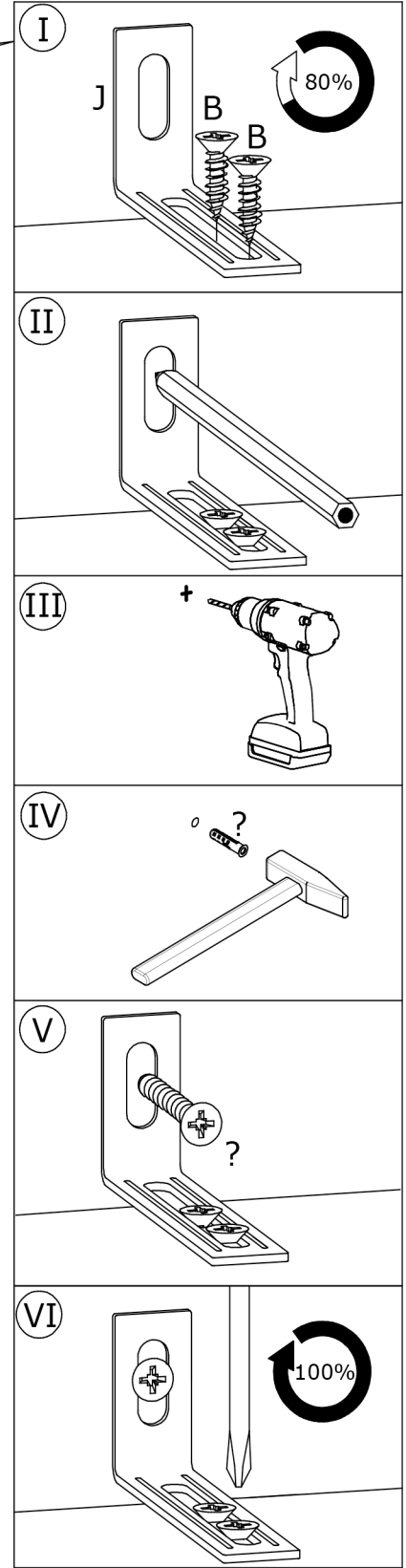
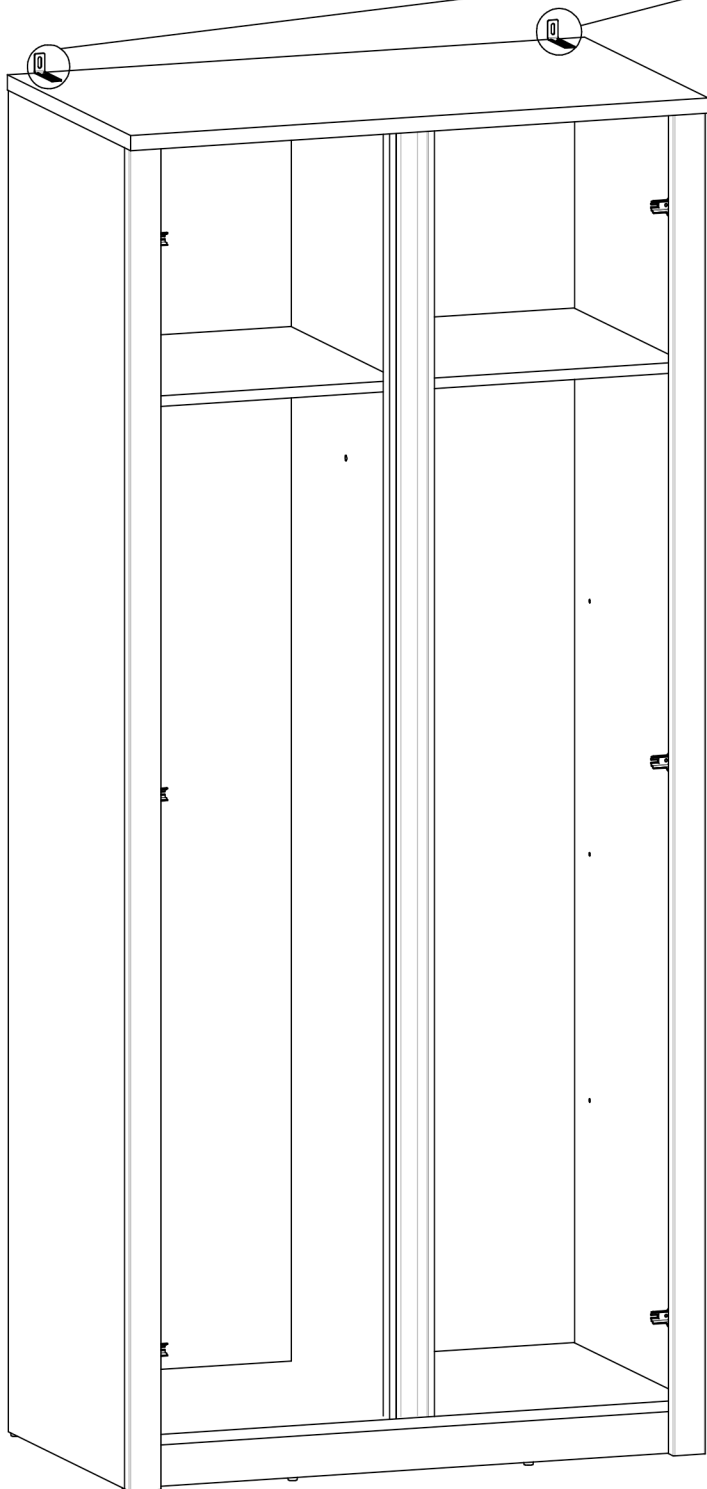
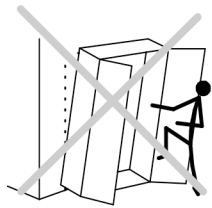
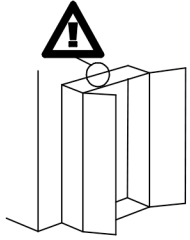
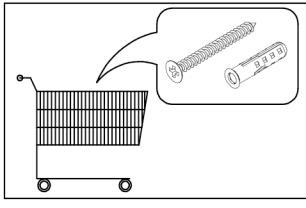
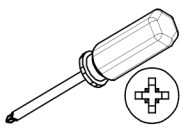
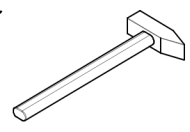
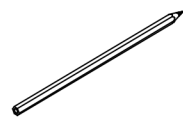
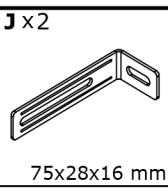
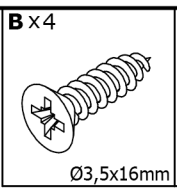
Rx2



Ø4x30mm

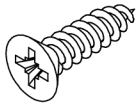


19



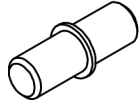
20

B x 2



Ø3,5x16mm

L x 12

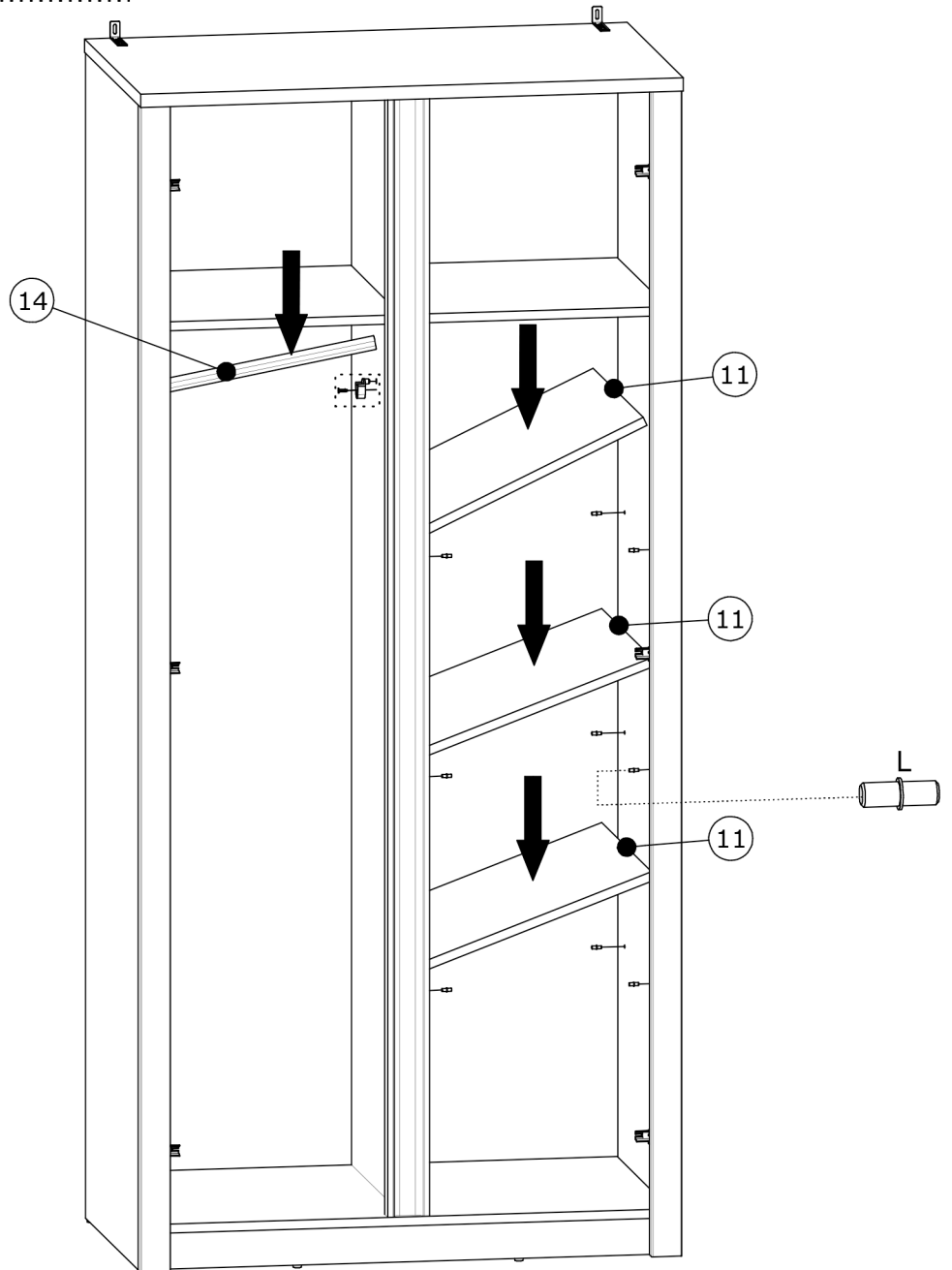
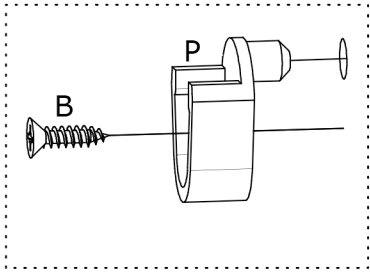
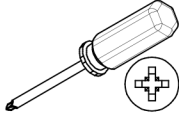
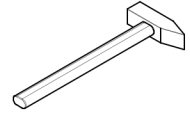


Ø5x16mm

P x 2

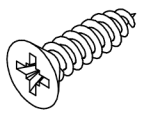


Ø8x35mm



21

B x 12

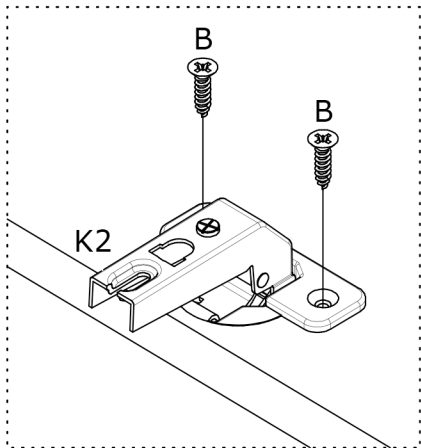
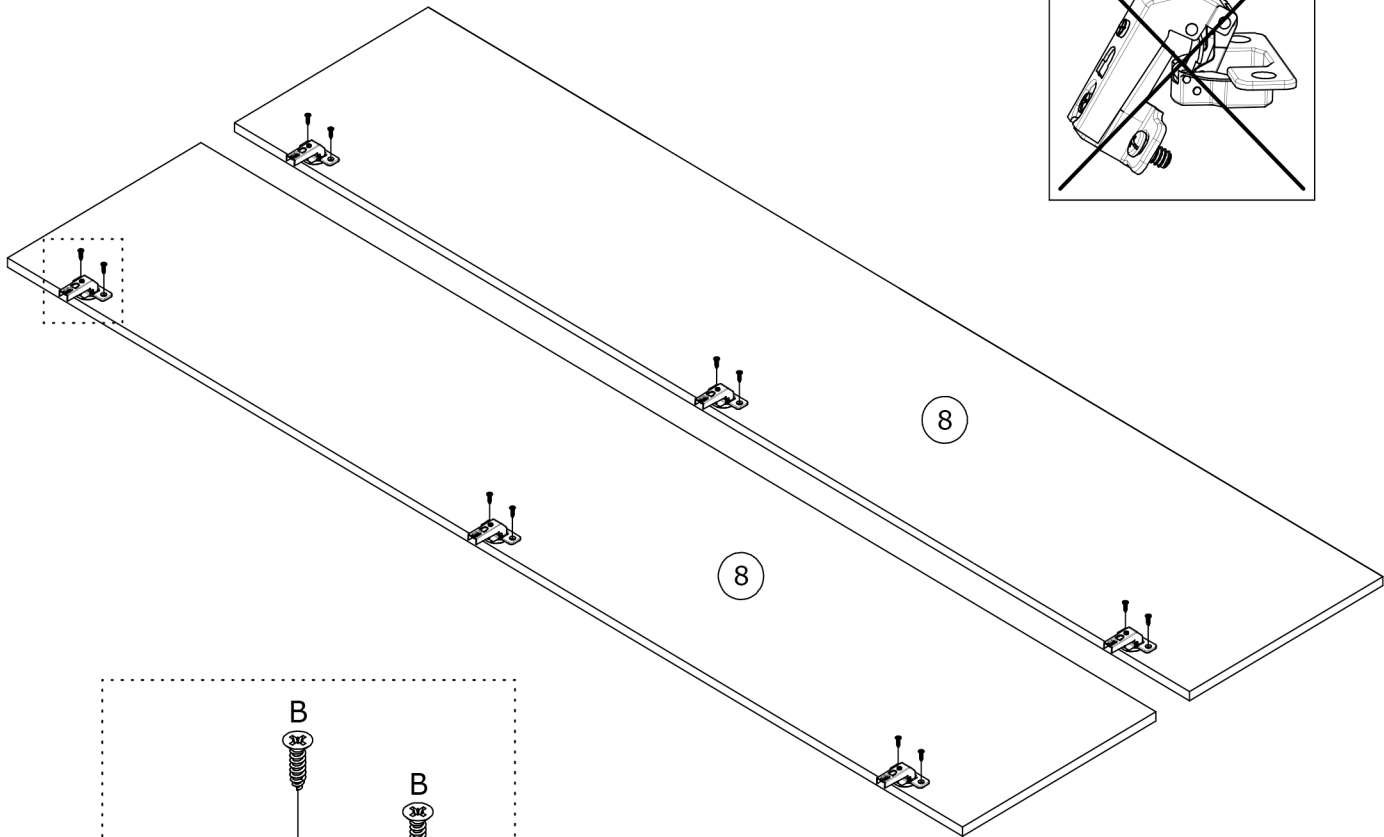
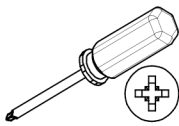


Ø3,5x16mm

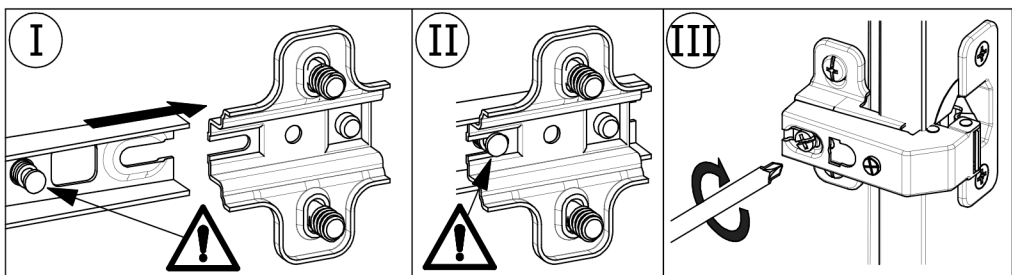
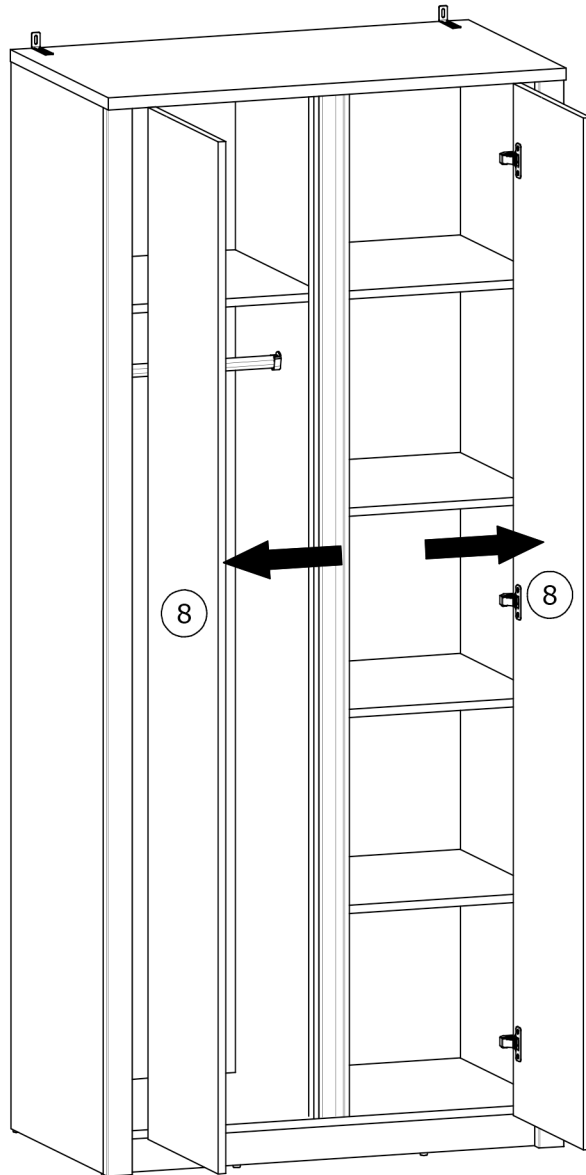
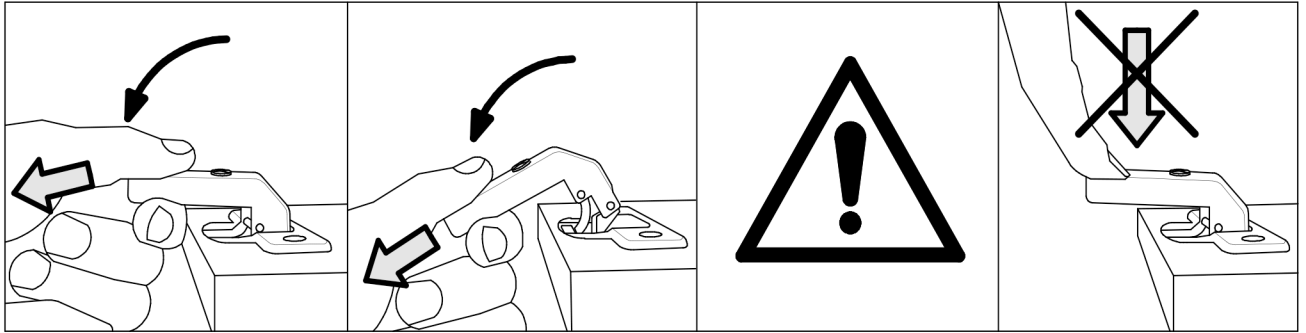
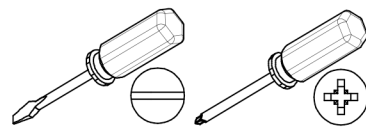
K2 x 6



Ø35mm, 90°

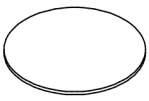


22



23

D x 28

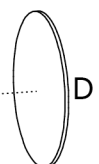
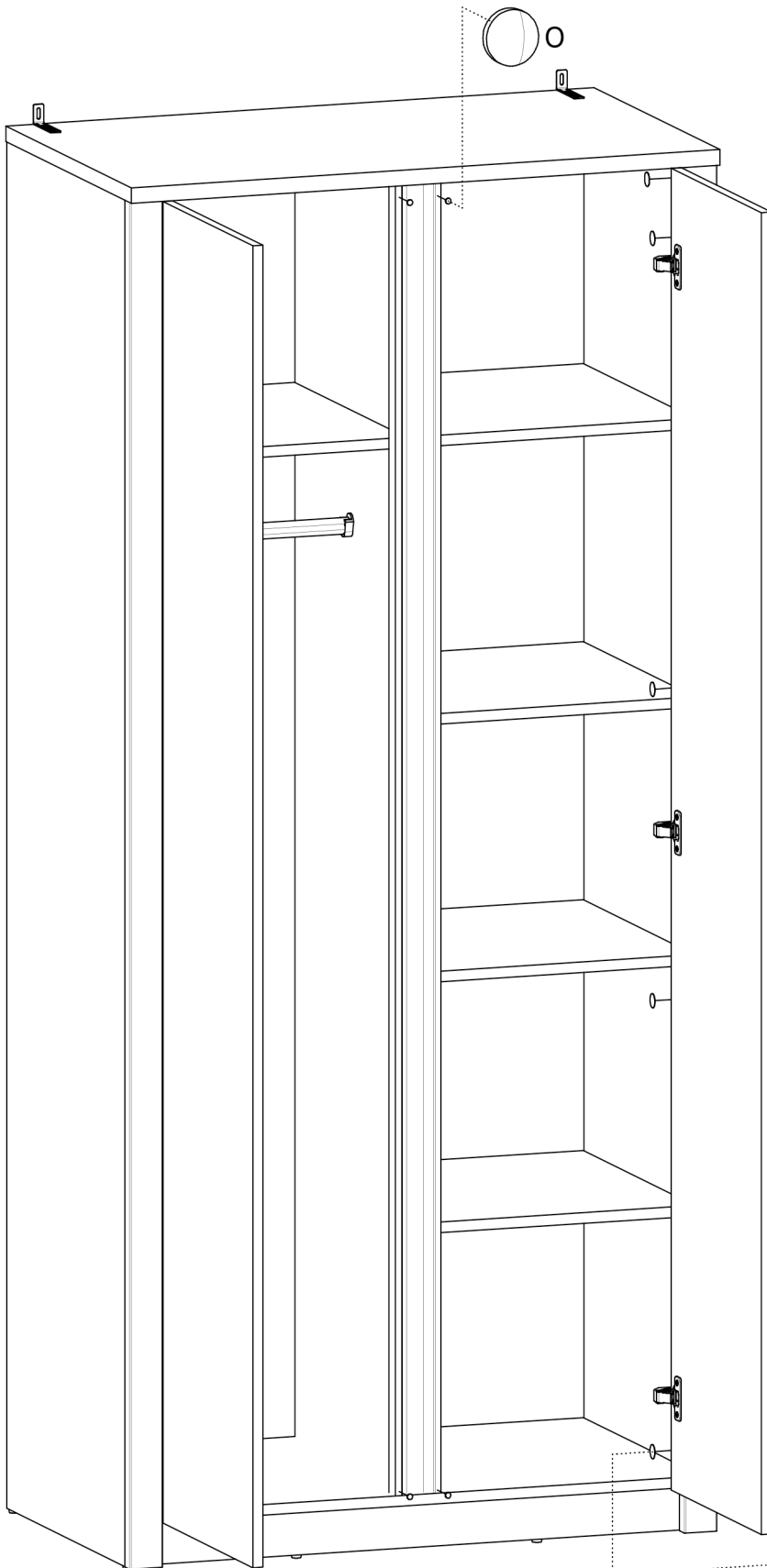


Ø21mm

Ø x 4



Ø8x1,5mm



24

