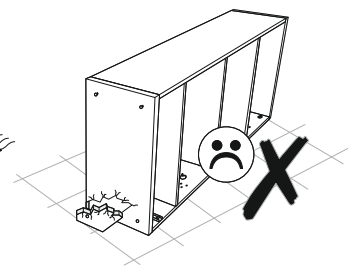
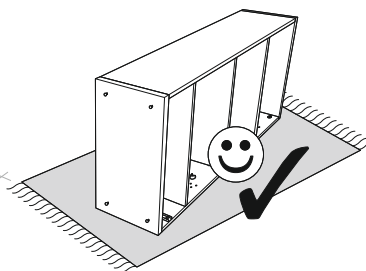
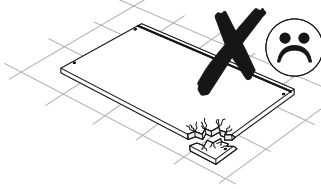
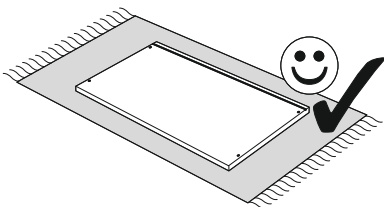
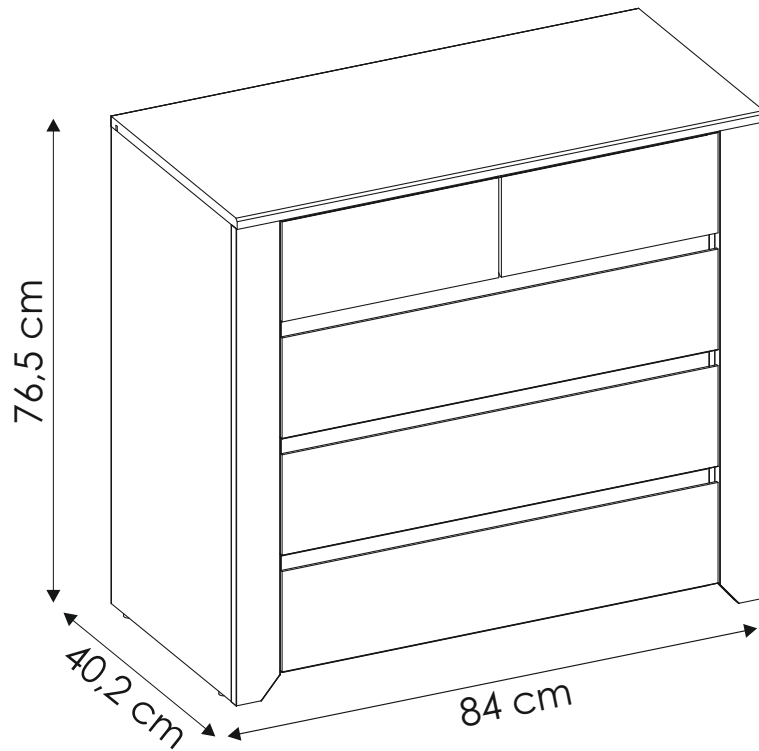
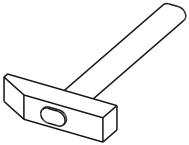
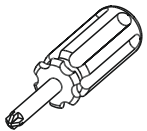
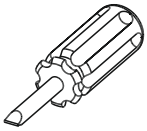
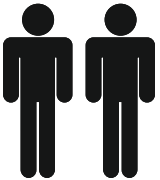
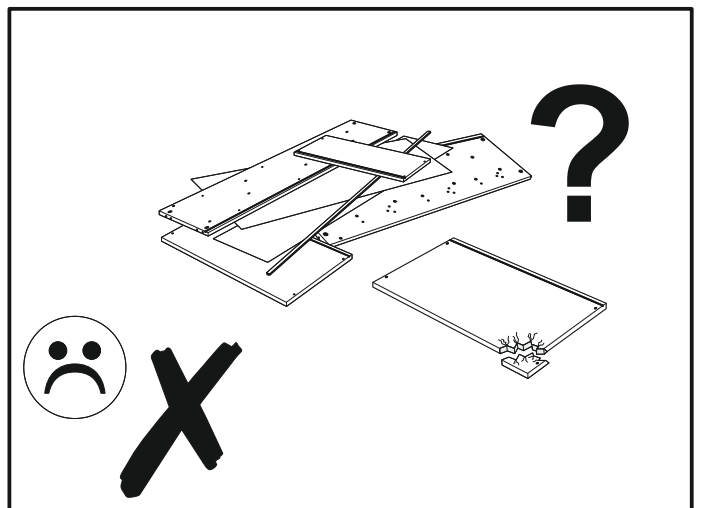
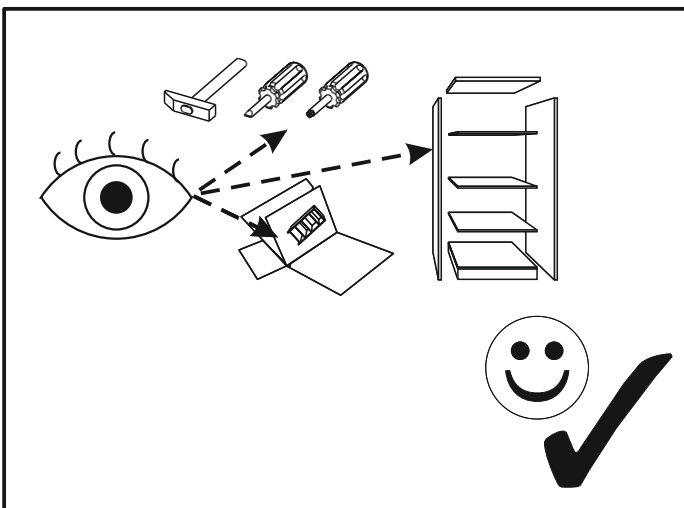
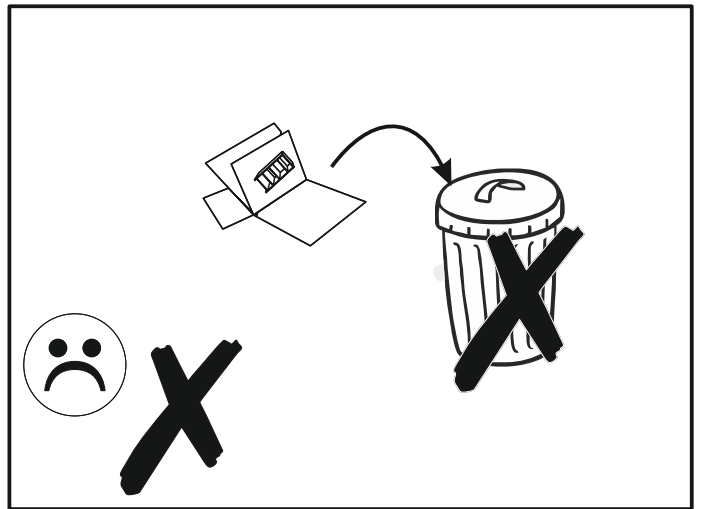
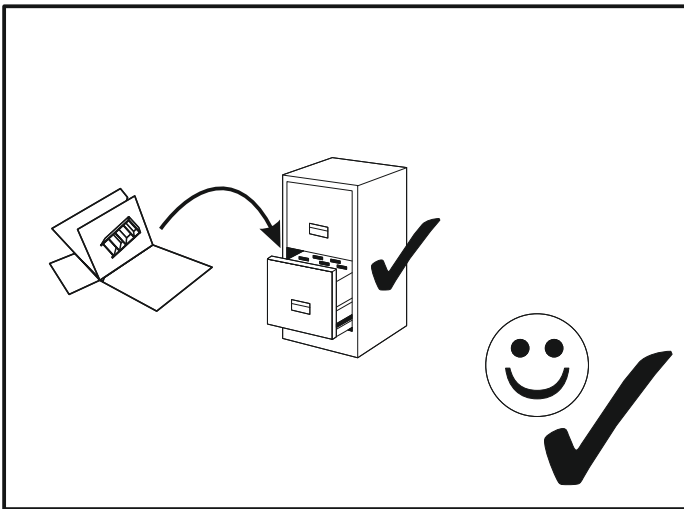
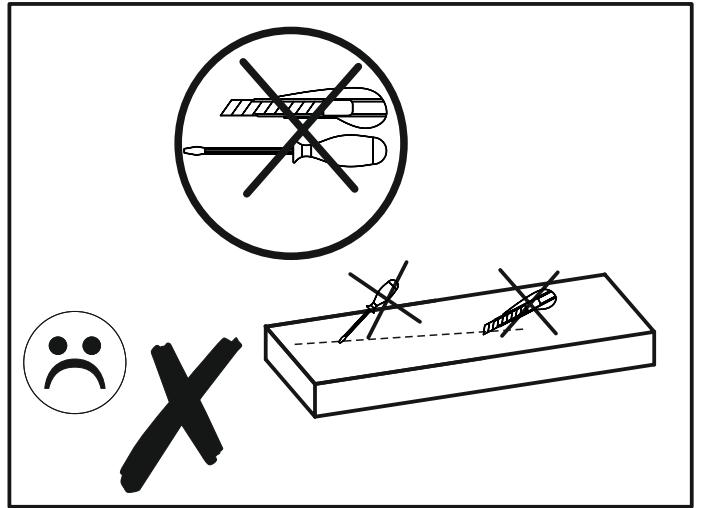
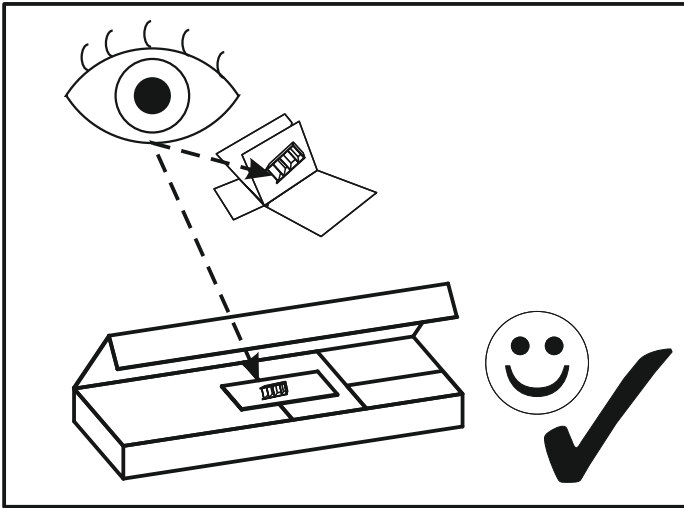




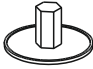

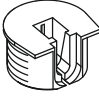

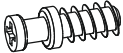




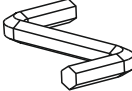

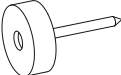

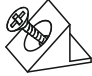

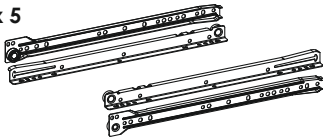
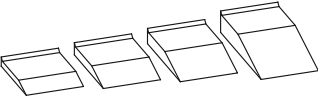
ANGEL 43

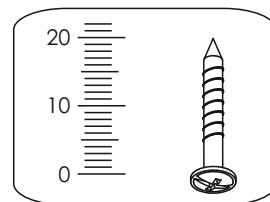
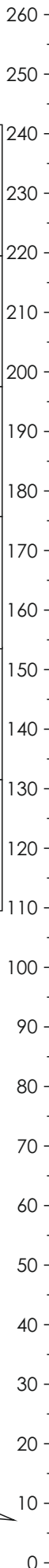




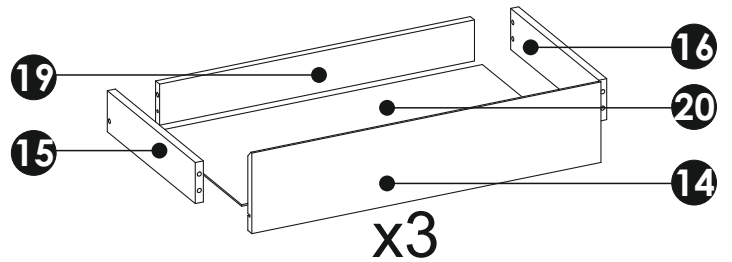
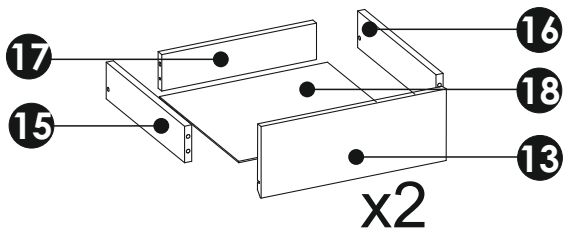
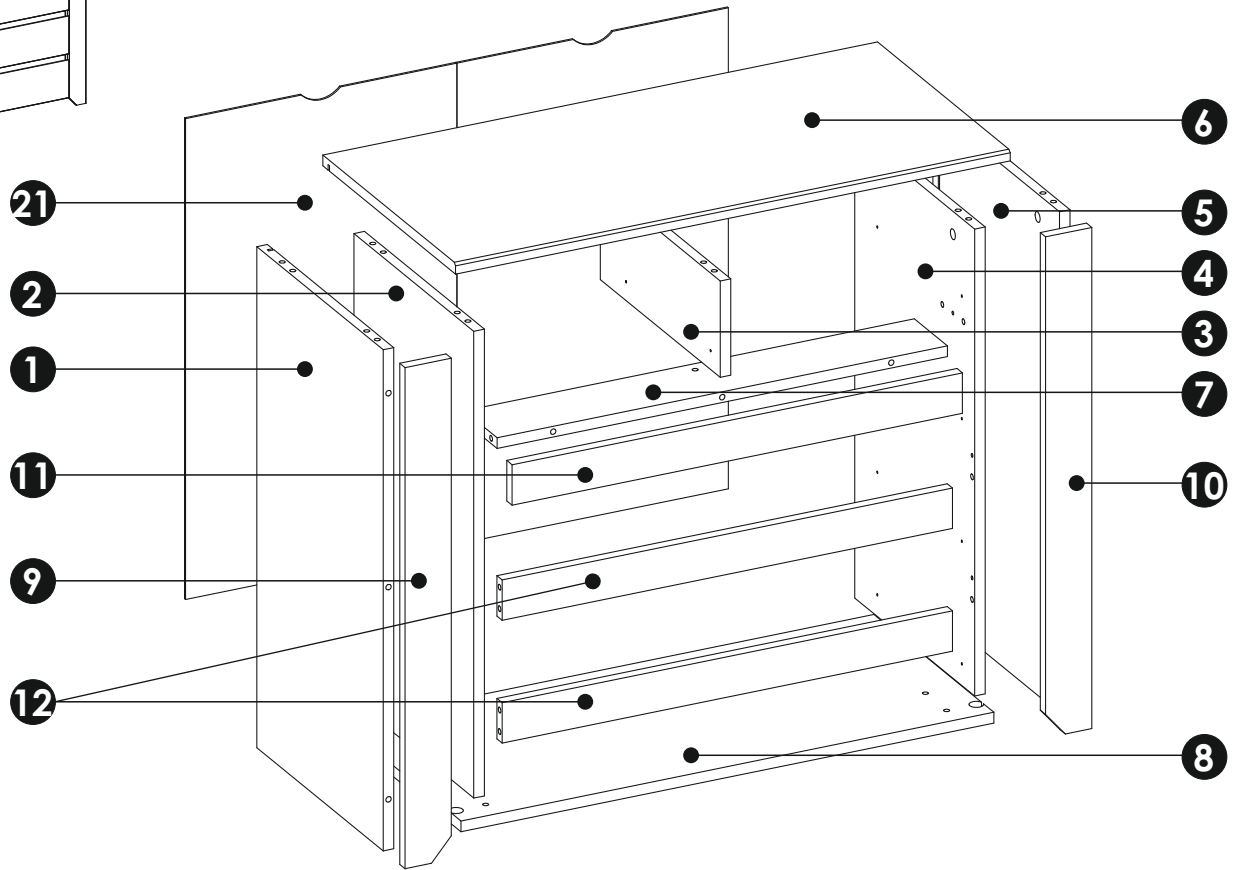
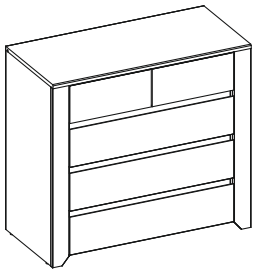
ANGEL 43

MM

<p>A1 x 42 \varnothing8 x 35 mm</p> 	<p>C2 x 20 5 x 13 mm</p> 	<p>E0 x 35</p> 
<p>E1 x 35 \varnothing15 x 12 mm</p> 	<p>E2 x 4</p> 	<p>F1 x35</p> 
<p>F2 x 4</p> 	<p>G0 x 15</p> 	<p>G1 x15 f7 x 50 mm</p> 
<p>I2 x 24 x 16 mm</p> 	<p>J1 x 30 3 x 20mm</p> 	<p>M x 1</p> 
<p>N1 x 40 3 x 16 mm</p> 	<p>O2 x 4</p> 	<p>Q9 x2</p> 
<p>R4 x15</p> 	<p>R10 x 10</p> 	<p>T3 x 5</p> 
<p>Z x 1</p> 		



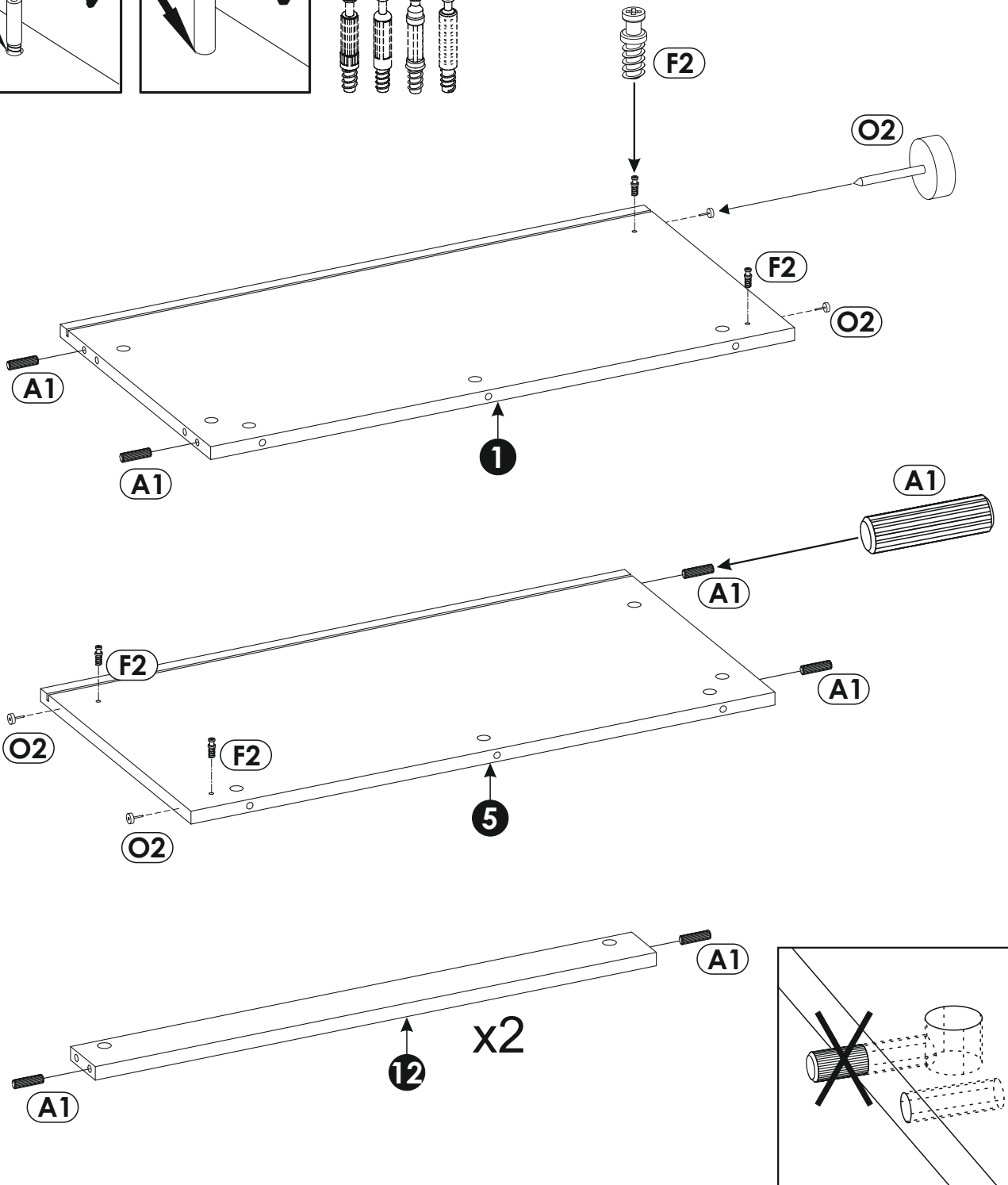
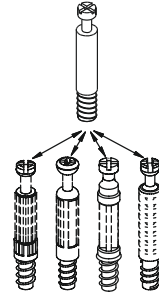
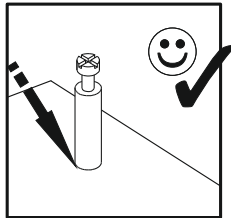
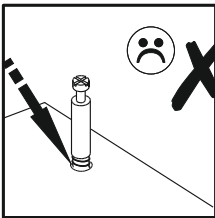
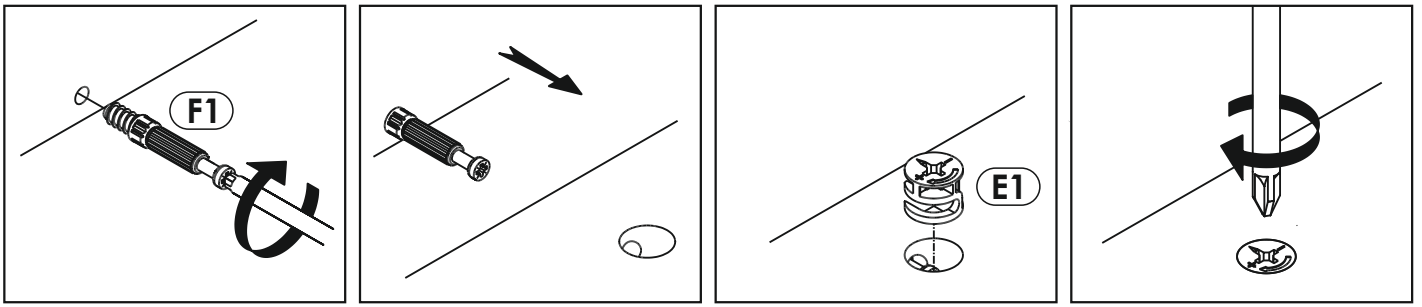
ANGEL 43



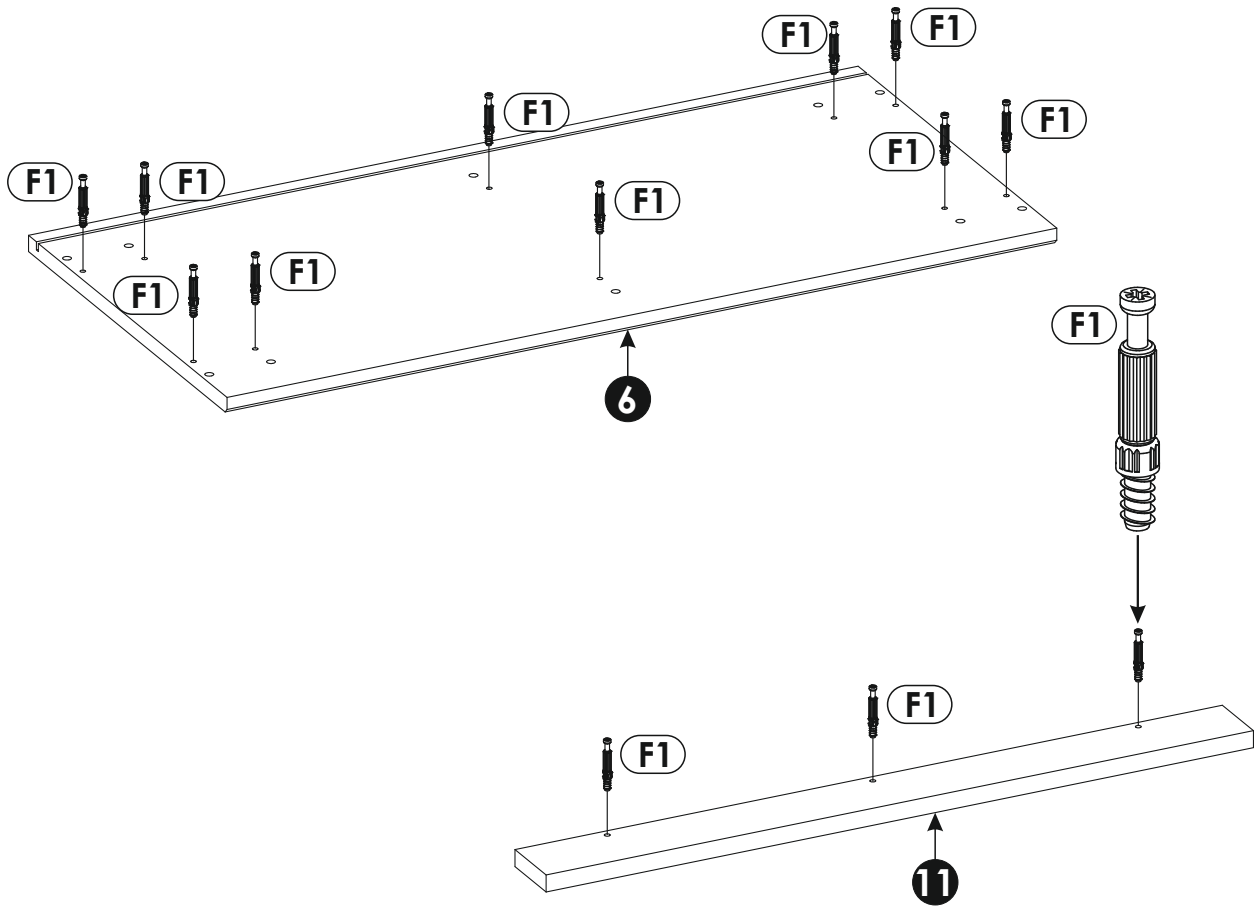
1	744	383	16	x1	2/2
2	693	363	16	x1	1/2
3	363	143	16	x1	1/2
4	693	363	16	x1	1/2
5	744	383	16	x1	2/2
6	840	402	16	x1	1/2
7	682	100	16	x1	1/2

8	807	363	16	x1	1/2
9	744	70	16	x1	2/2
10	744	70	16	x1	2/2
11	682	60	16	x1	1/2
12	682	60	16	x2	1/2
13	345	157	16	x2	1/2
14	694	157	16	x3	1/2

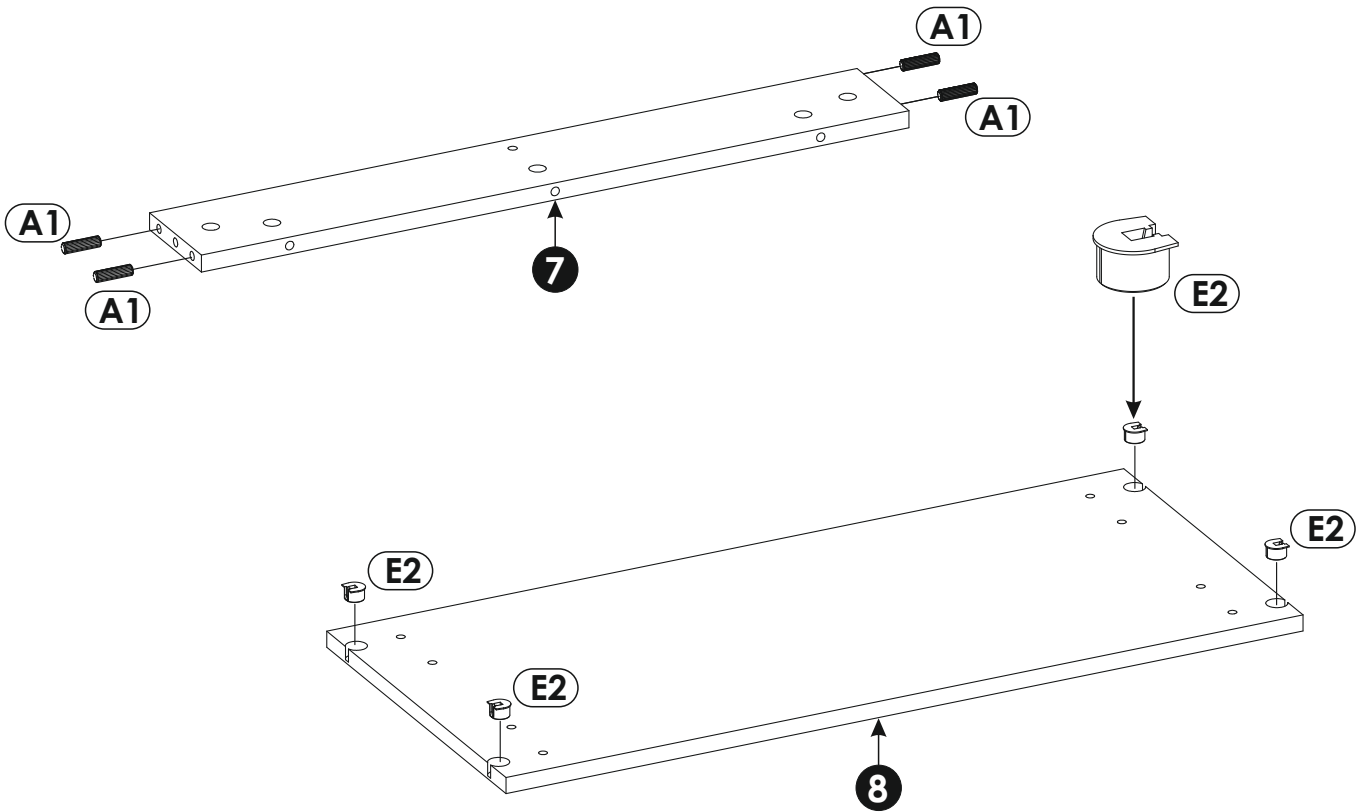
15	350	80	16	x5	1/2
16	350	80	16	x5	1/2
17	277	80	16	x2	1/2
18	355	307	16	x2	2/2
19	626	80	16	x3	2/2
20	656	355	16	x3	2/2
21	714	822	3	x1	1/2



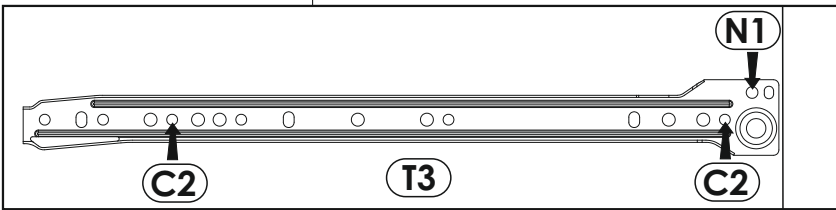
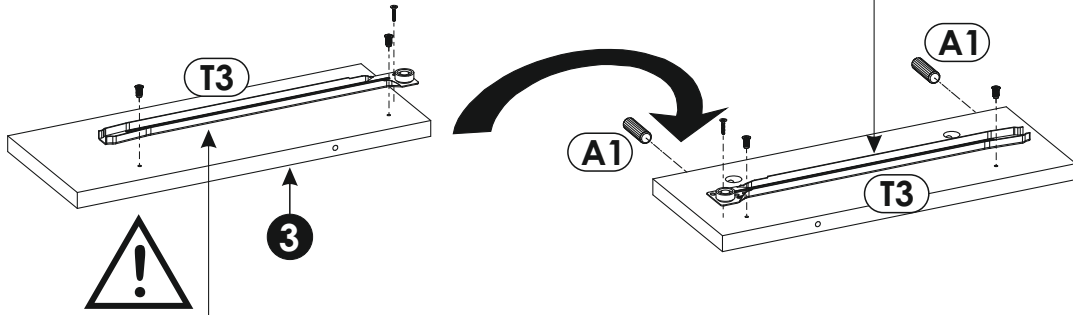
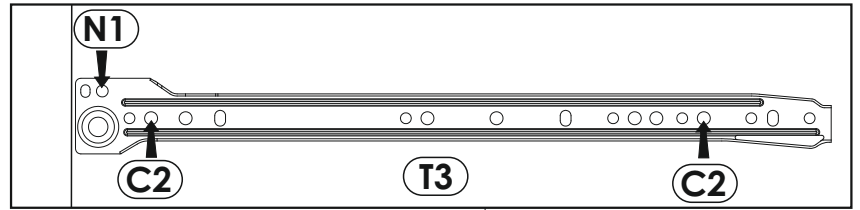
2 ▶



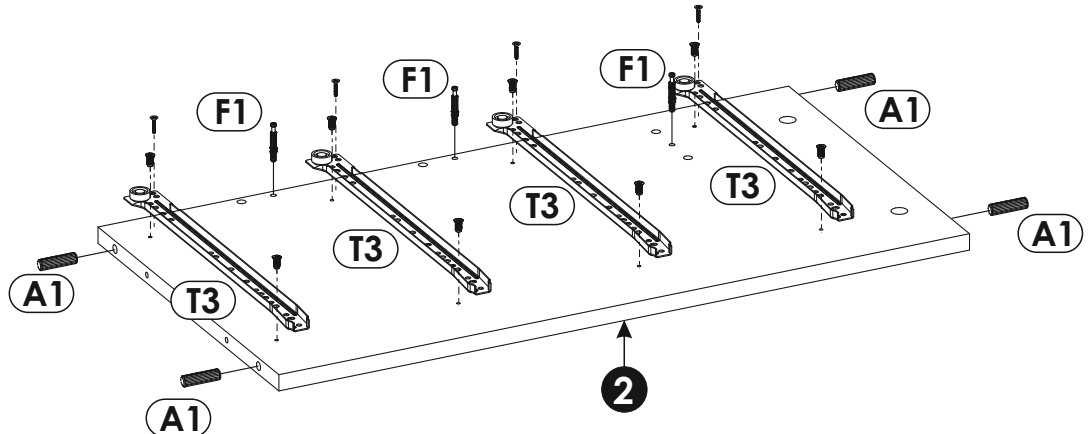
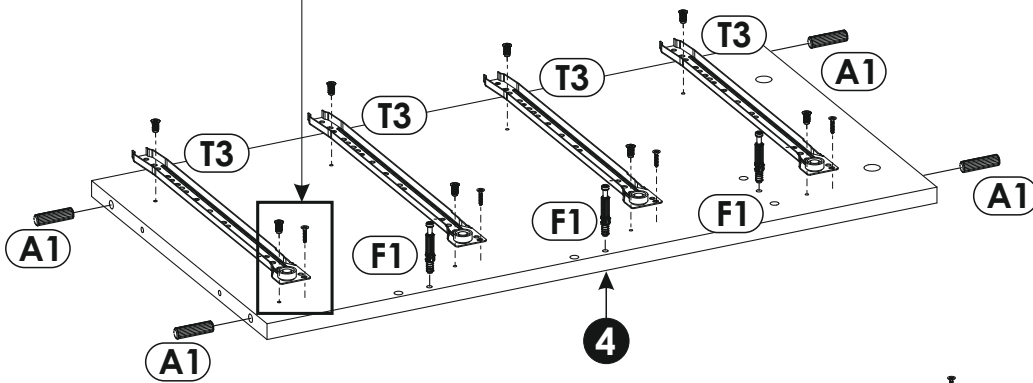
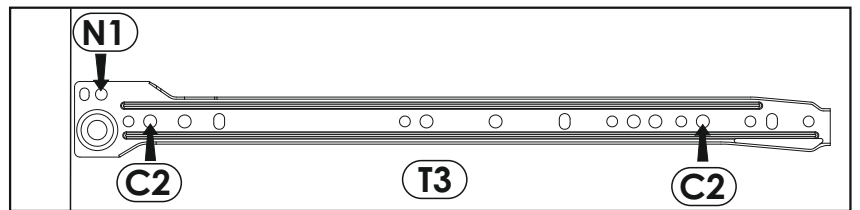
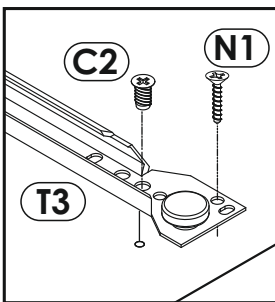
3 ▶



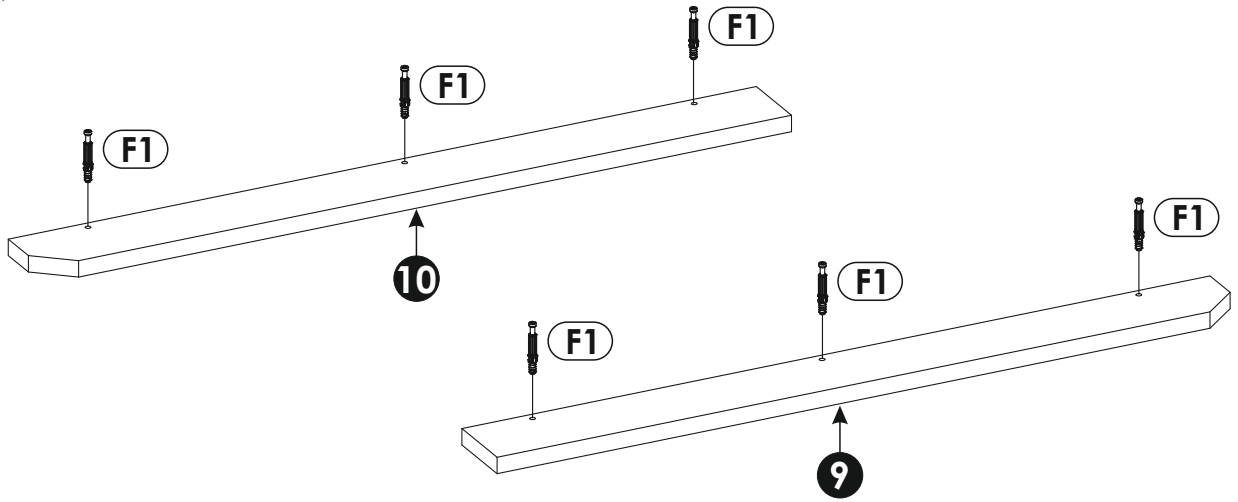
4 ▶



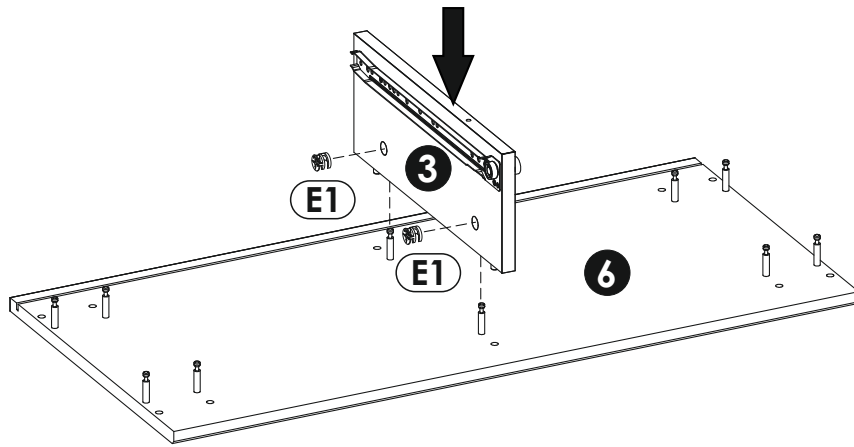
5 ▶



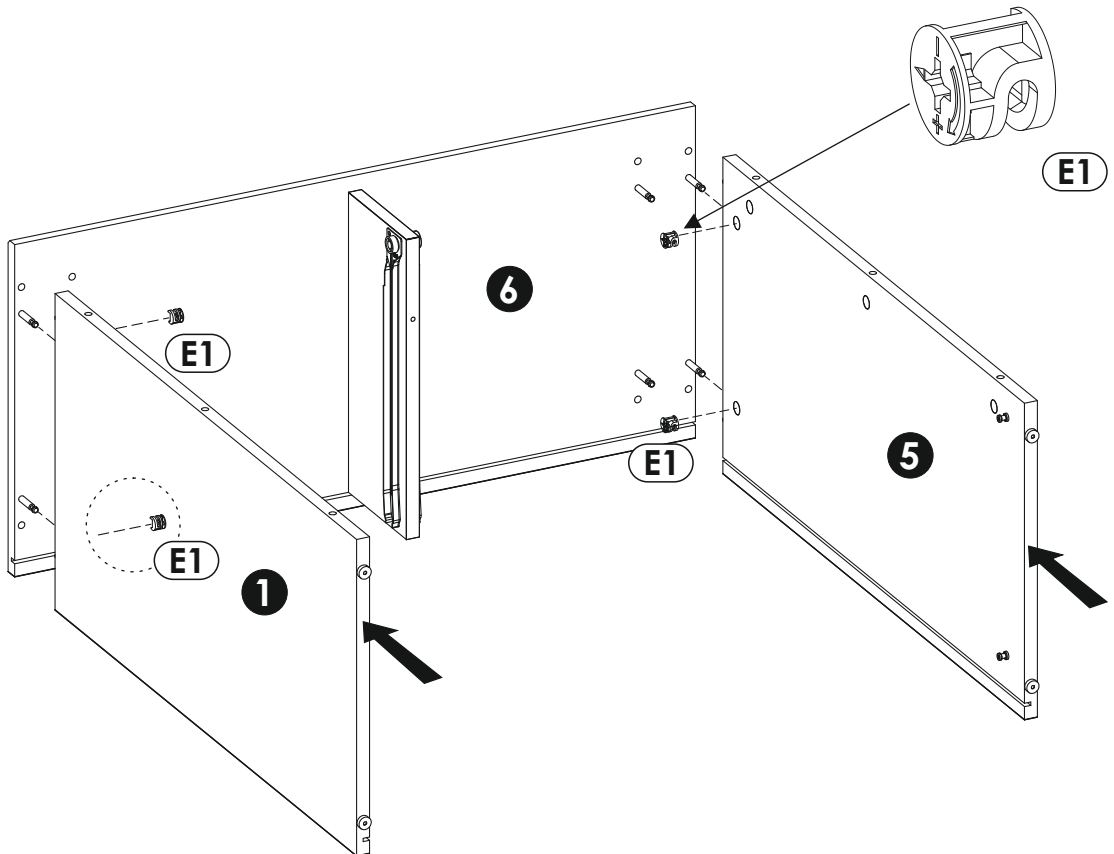
6 ▶



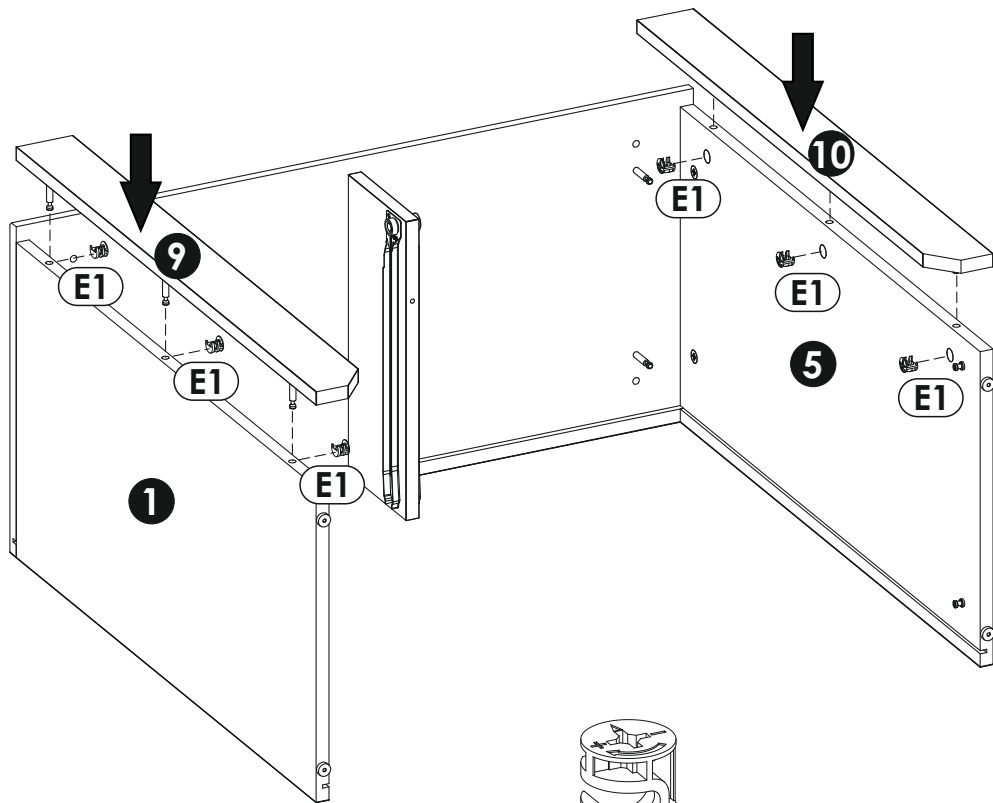
7 ▶



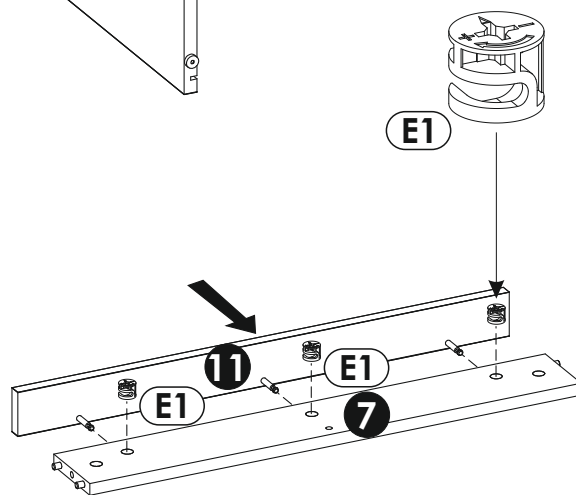
8 ▶



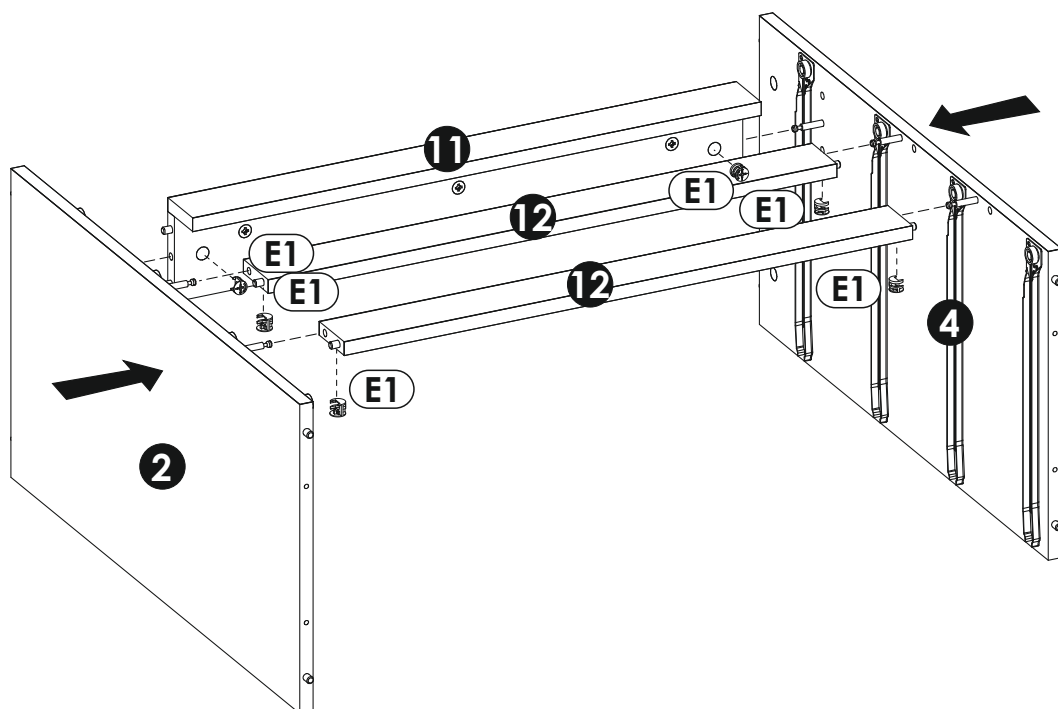
9 ▶



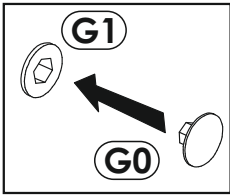
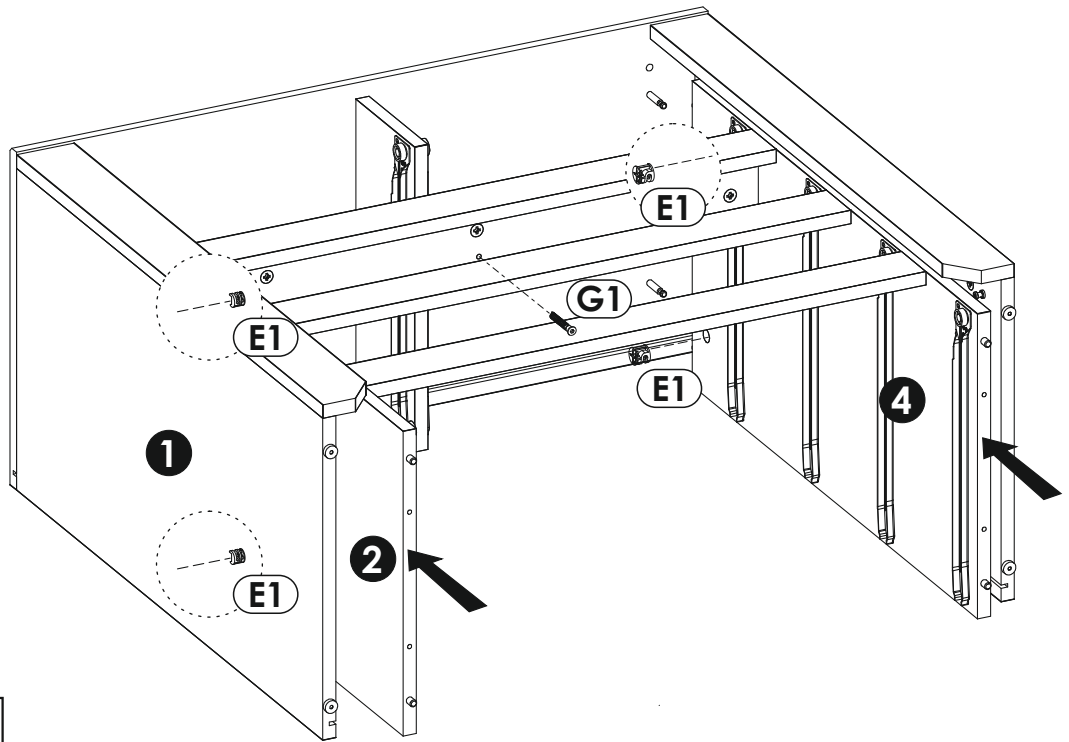
10 ▶



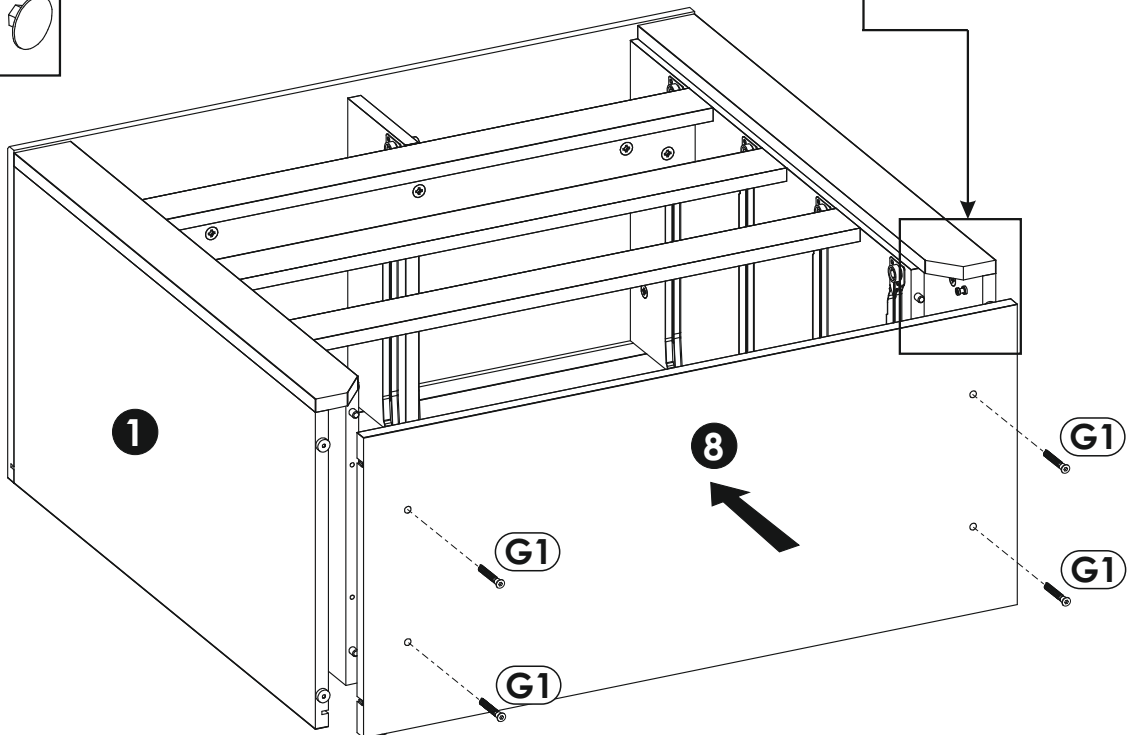
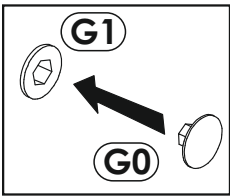
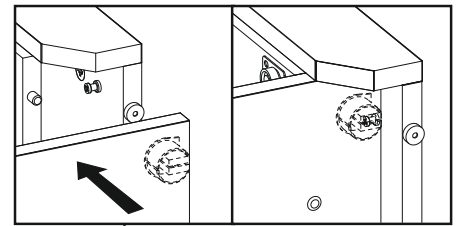
11 ▶



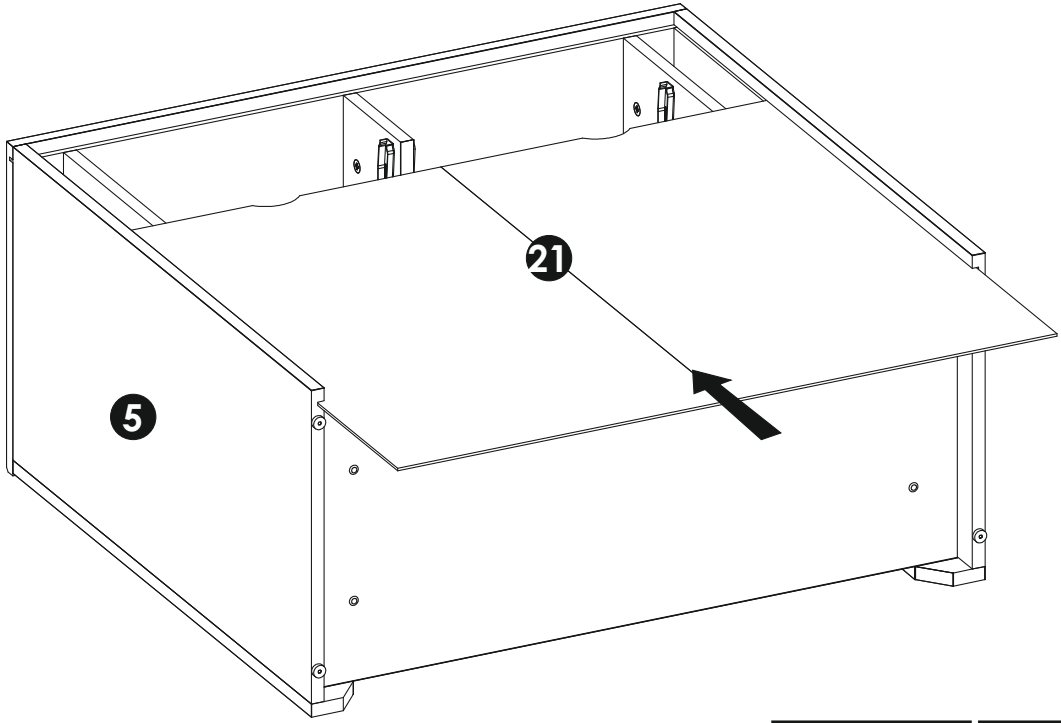
12 ▶



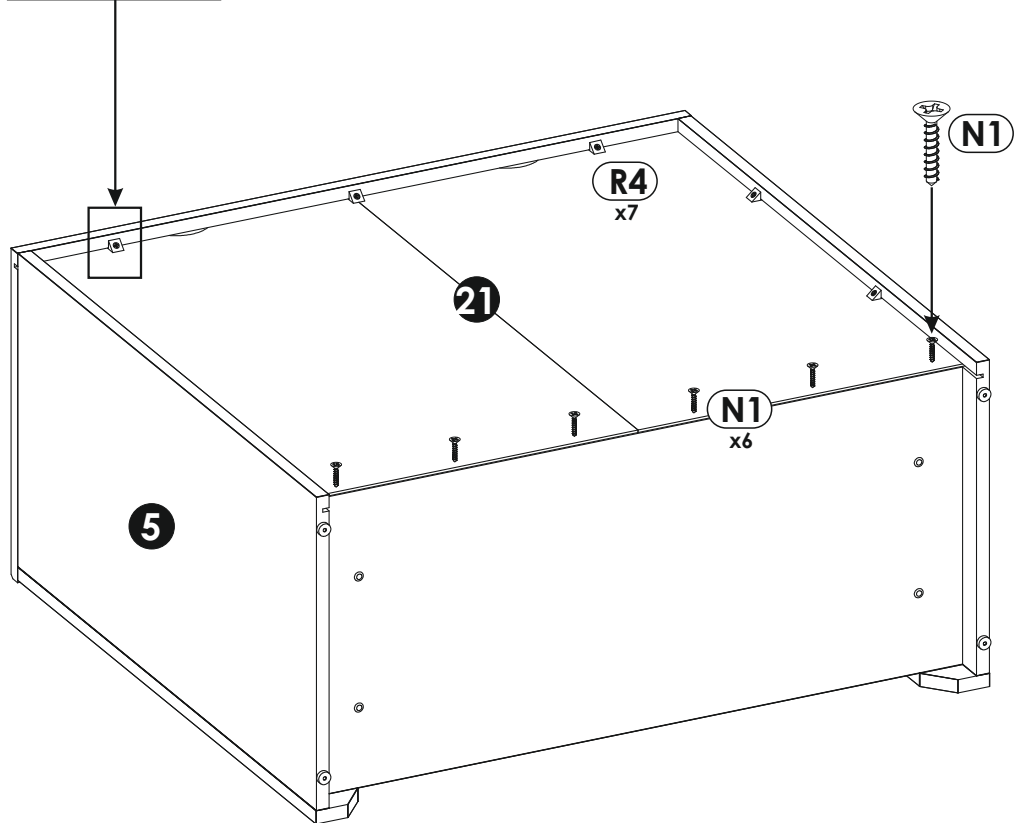
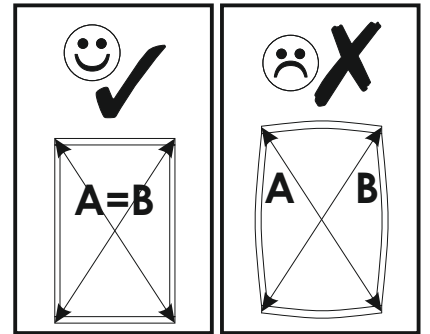
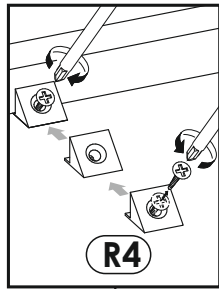
13 ▶

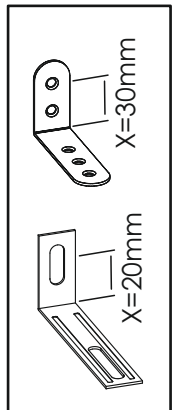
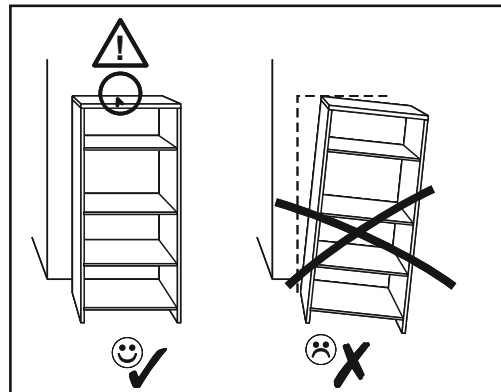
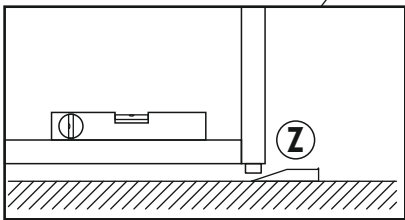
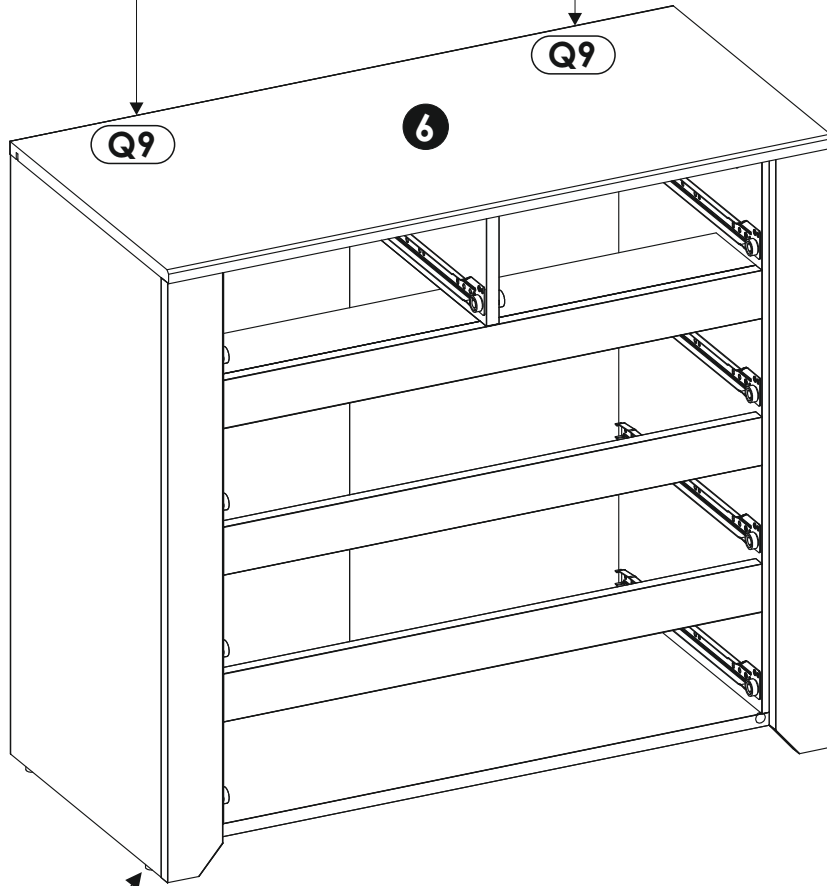
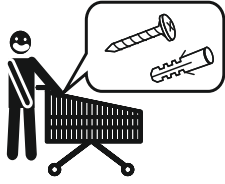
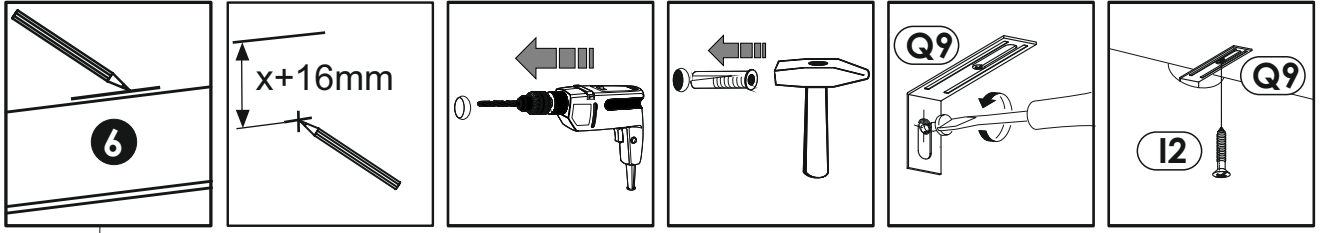


14▶

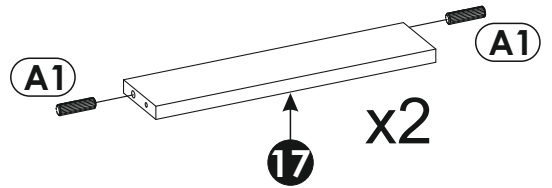
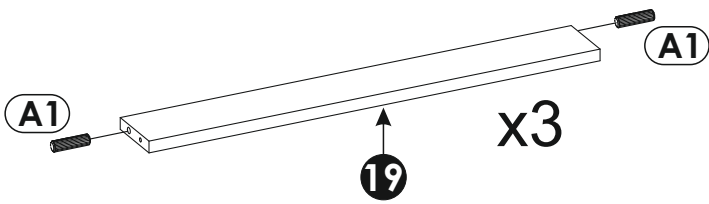
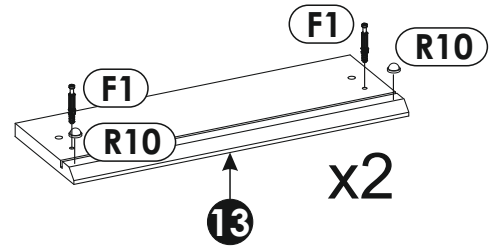
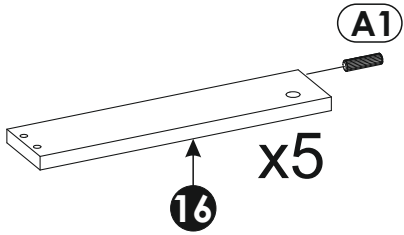
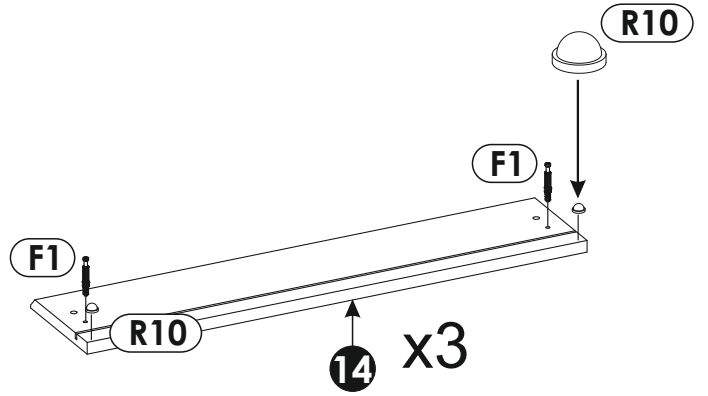
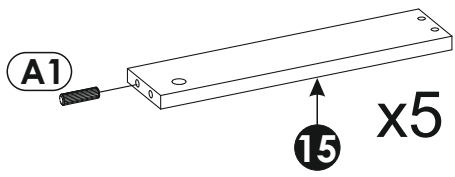


15▶

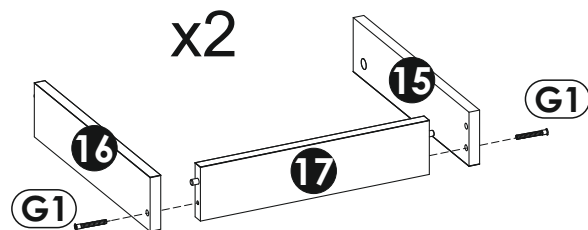
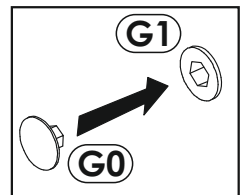
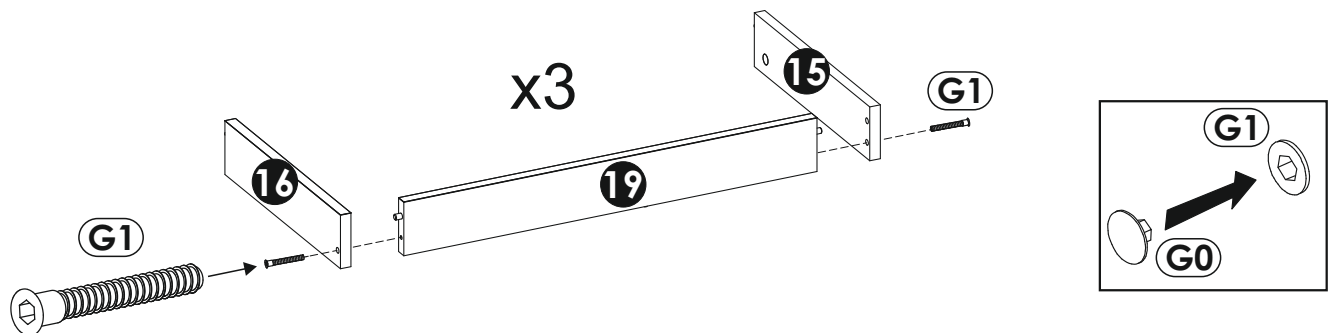




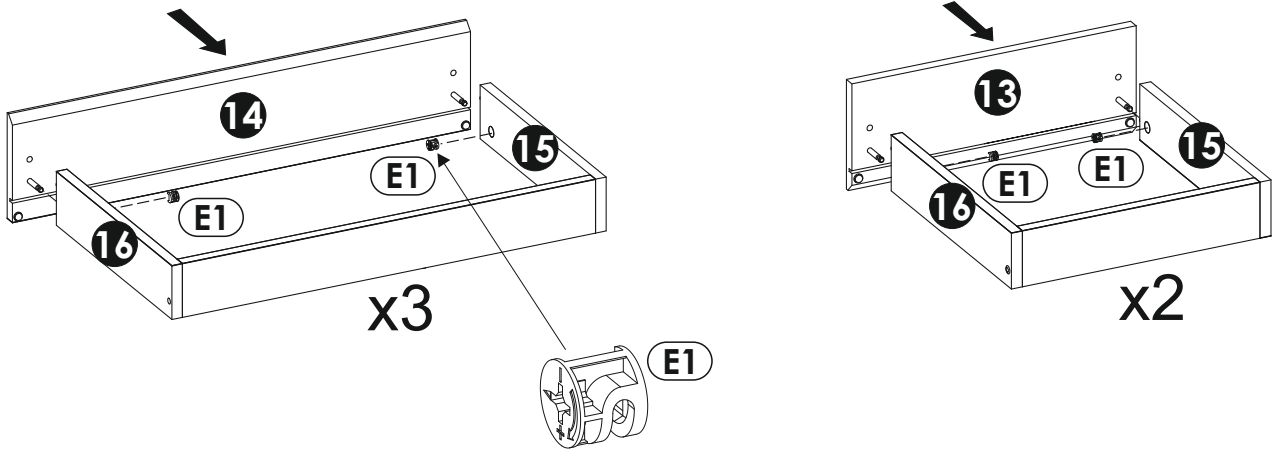
17▶



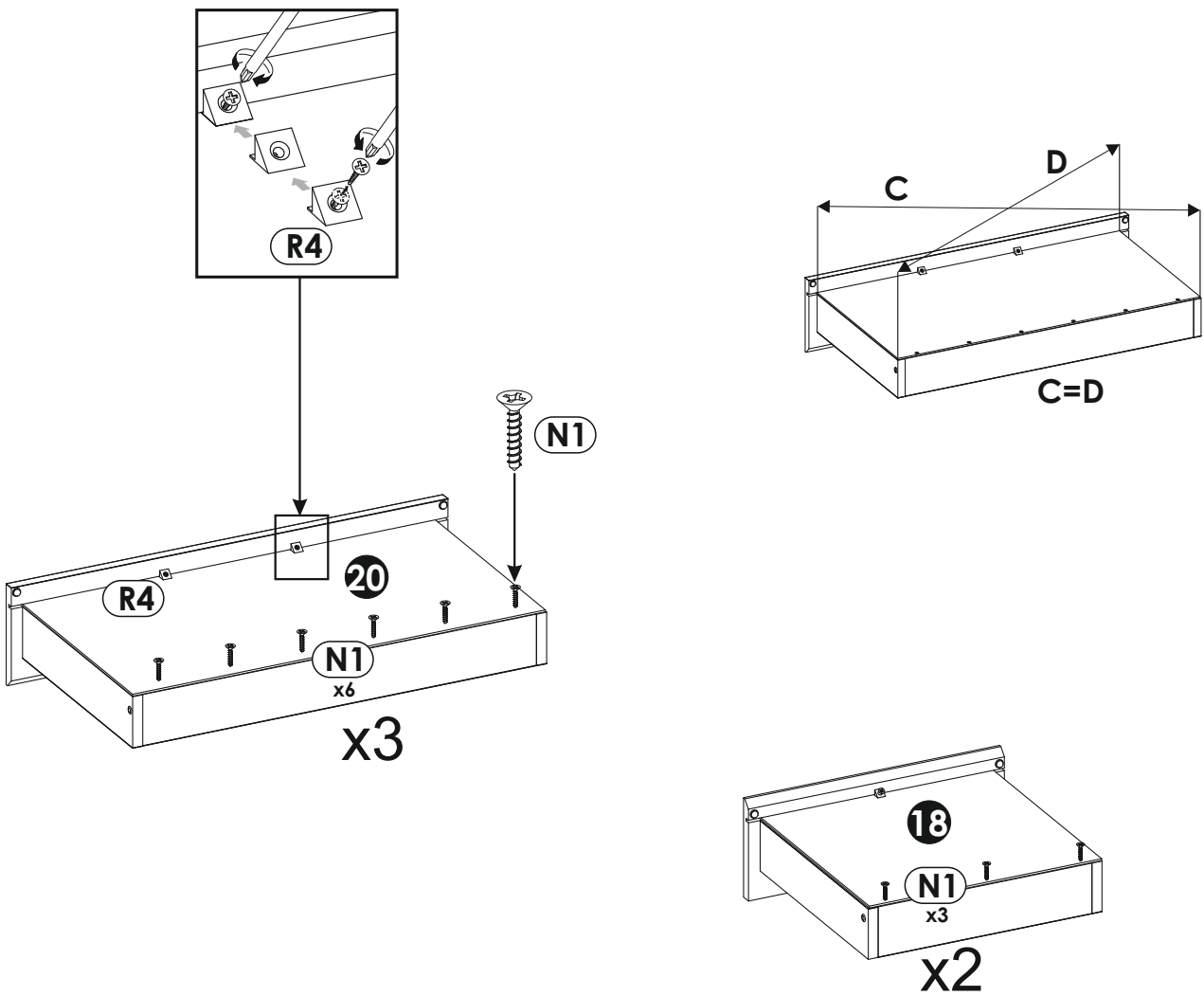
18▶



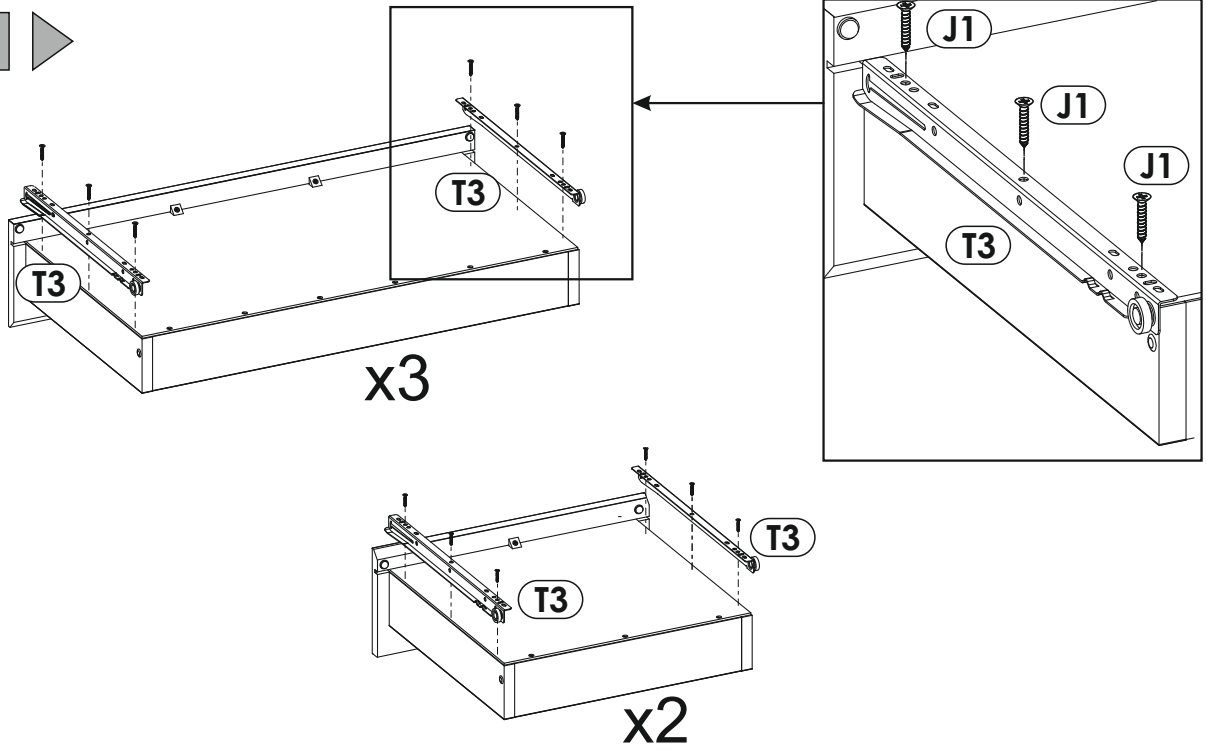
19▶



20▶



21 ▶



22 ▶

