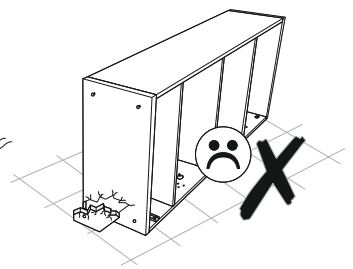
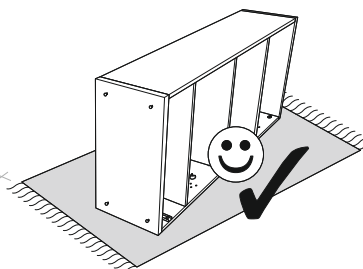
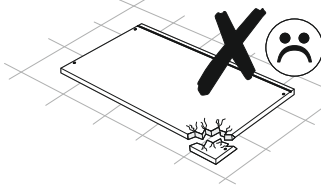
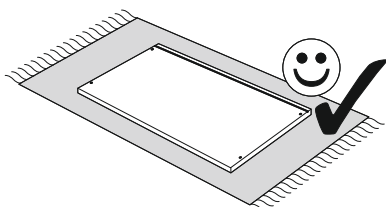
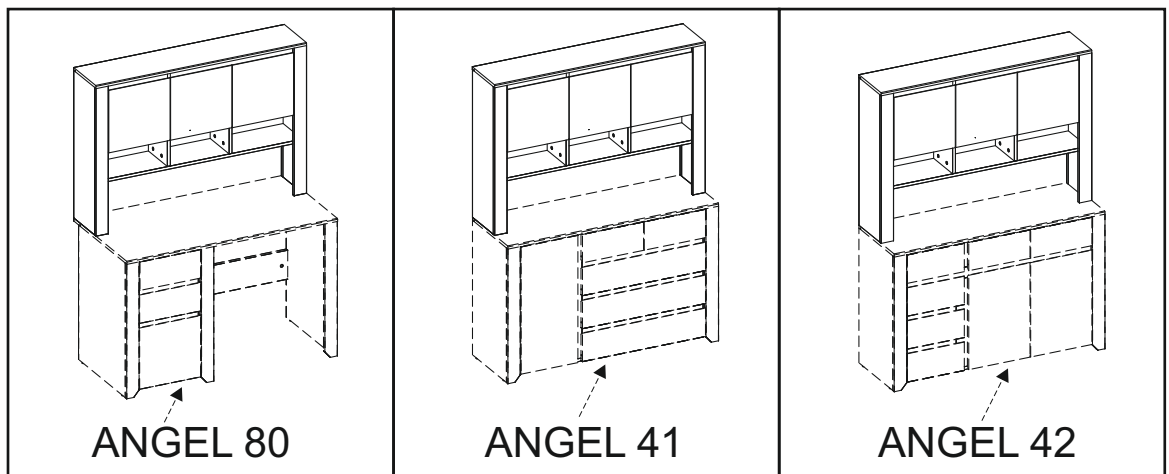
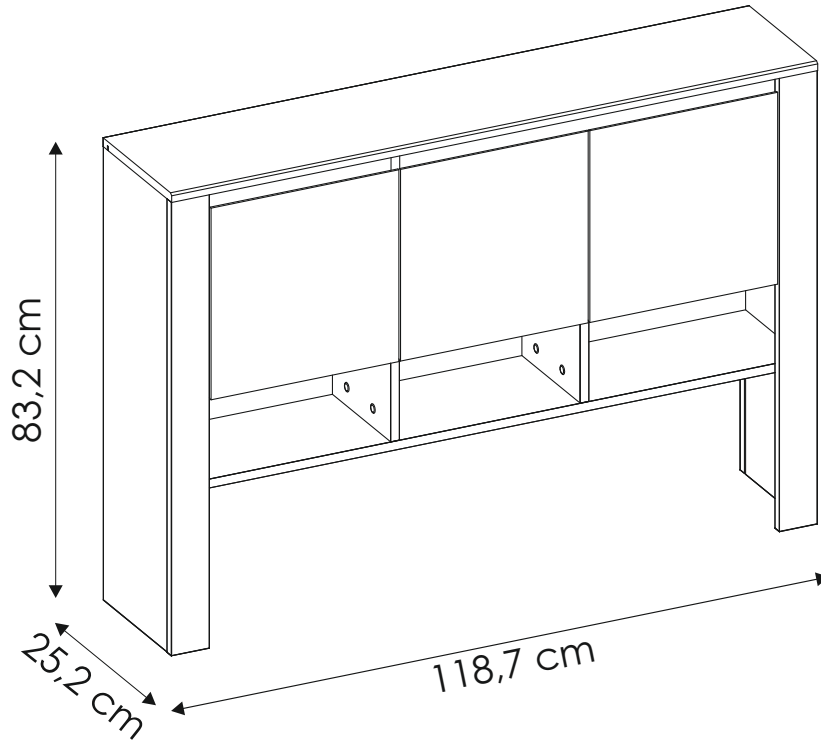
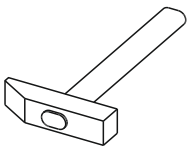
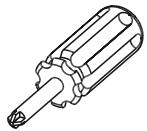
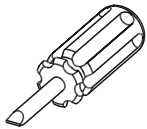
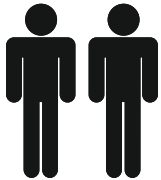
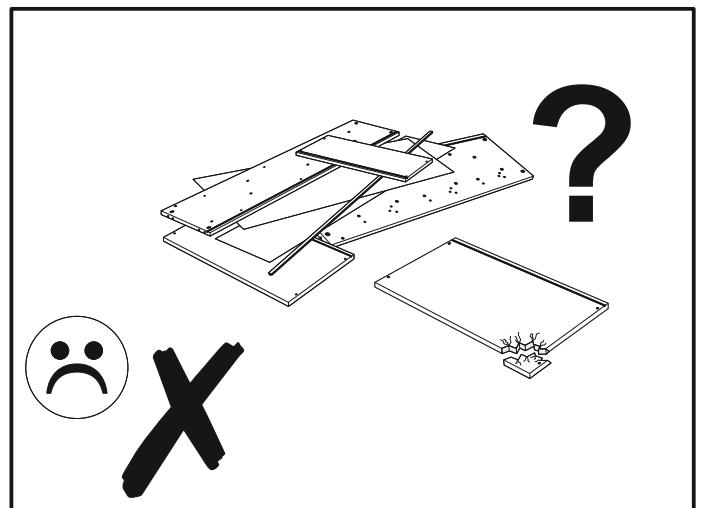
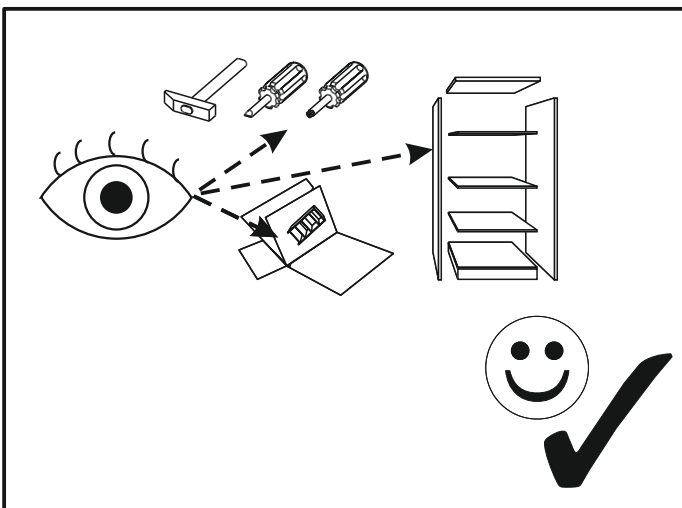
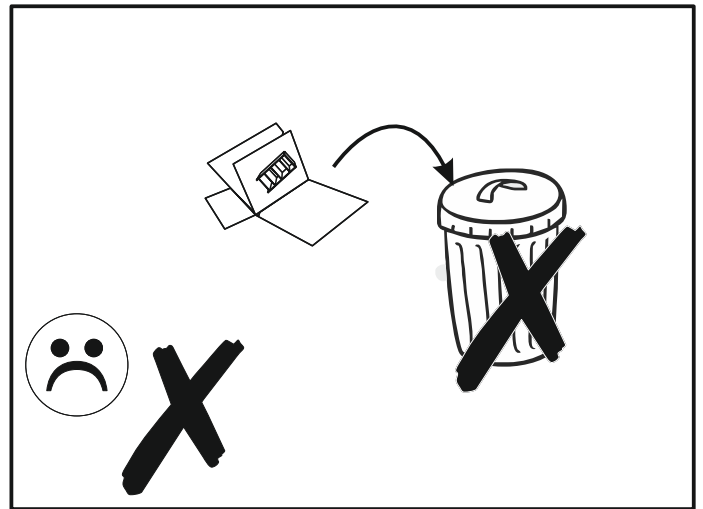
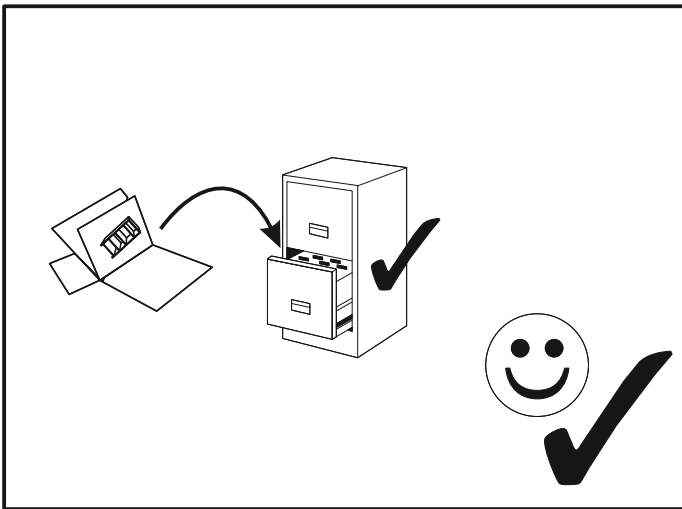
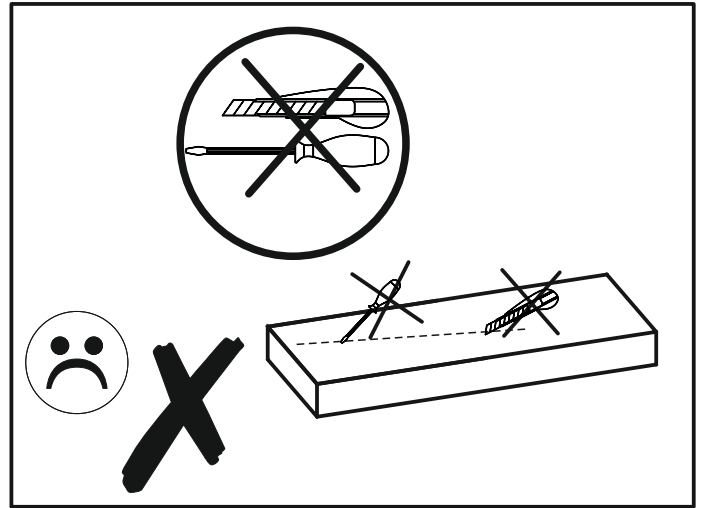
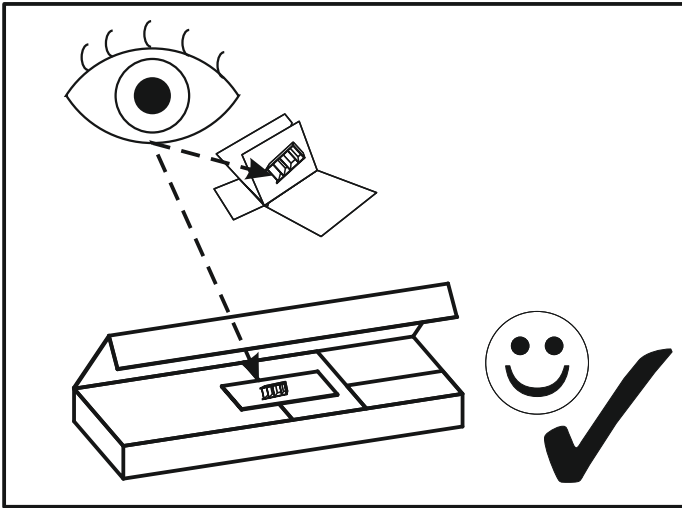
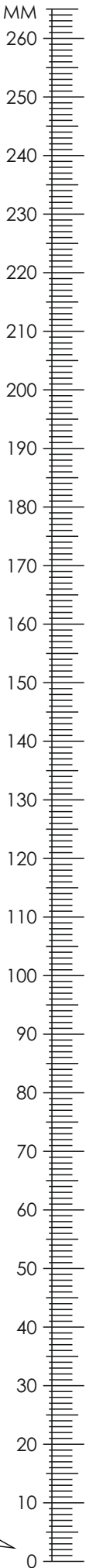


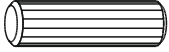

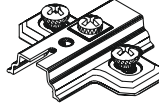
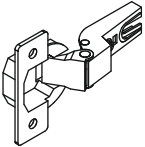
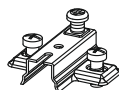
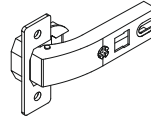

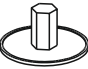


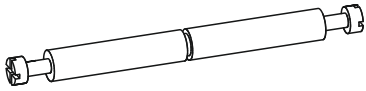

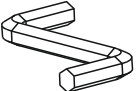


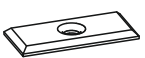

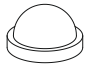
ANGEL 60

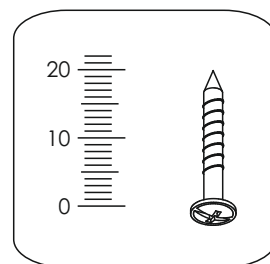




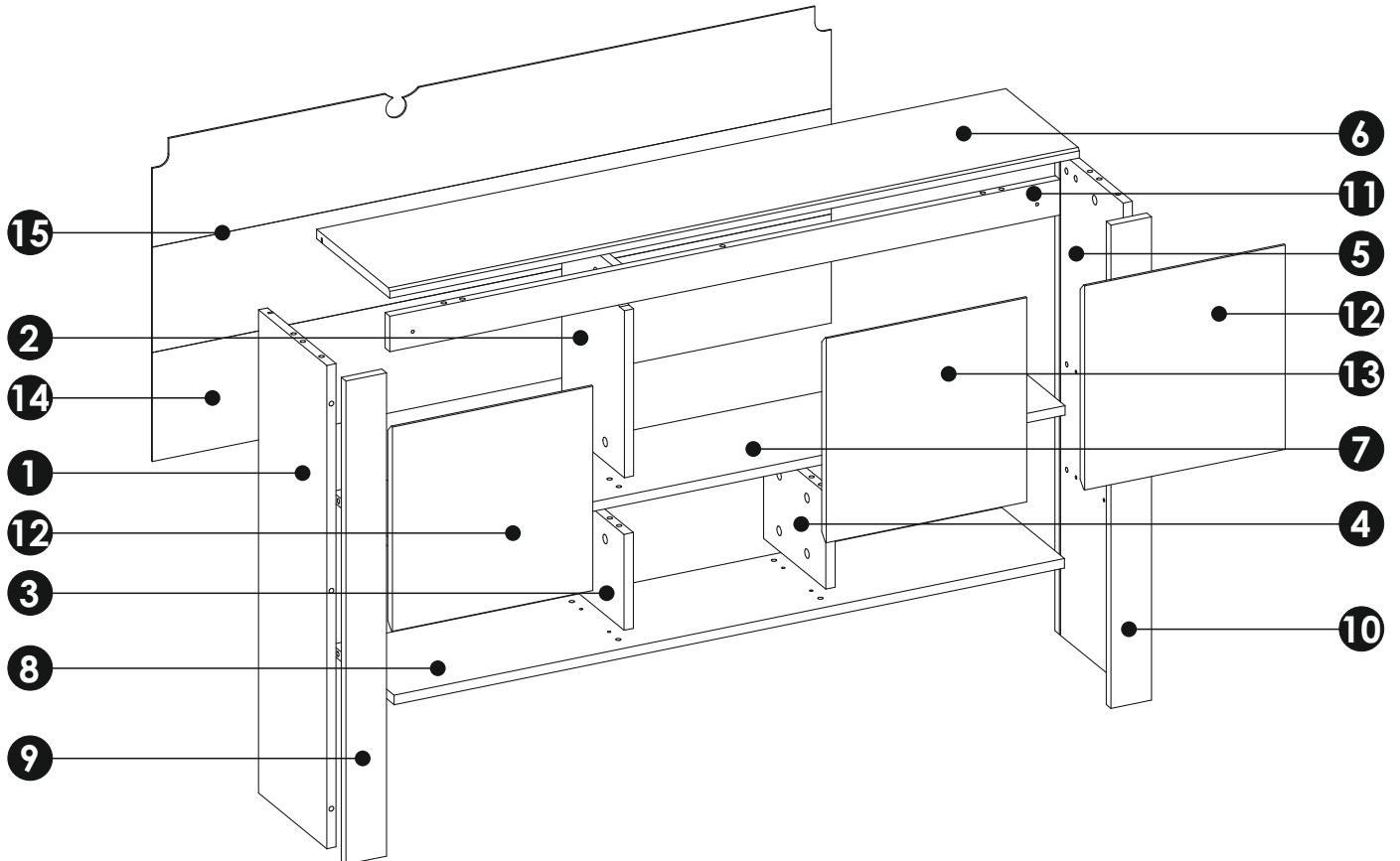
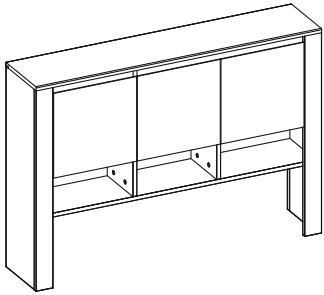
ANGEL 60



<p>A1 x 22 \varnothing8 x 35 mm</p> 	<p>A3 x 2 \varnothing8 x 60 mm</p> 	<p>B02 x 2</p> 
<p>B2A x 2</p> 	<p>BR2 x 4</p> 	<p>BR3 x 4</p> 
<p>C1 x 12 4 x 13 mm</p> 	<p>E0 x 30</p> 	<p>E1 x 30 \varnothing15 x 12 mm</p> 
<p>F1 x26</p> 	<p>F4 x2 \varnothing7x 76mm</p> 	<p>I5 x 2 3,5 x 30mm</p> 
<p>M x 1</p> 	<p>N1 x 20 3 x 16 mm</p> 	<p>P8A x1</p> 
<p>R1 x8</p> 	<p>R4 x8</p> 	<p>R10 x 6</p> 

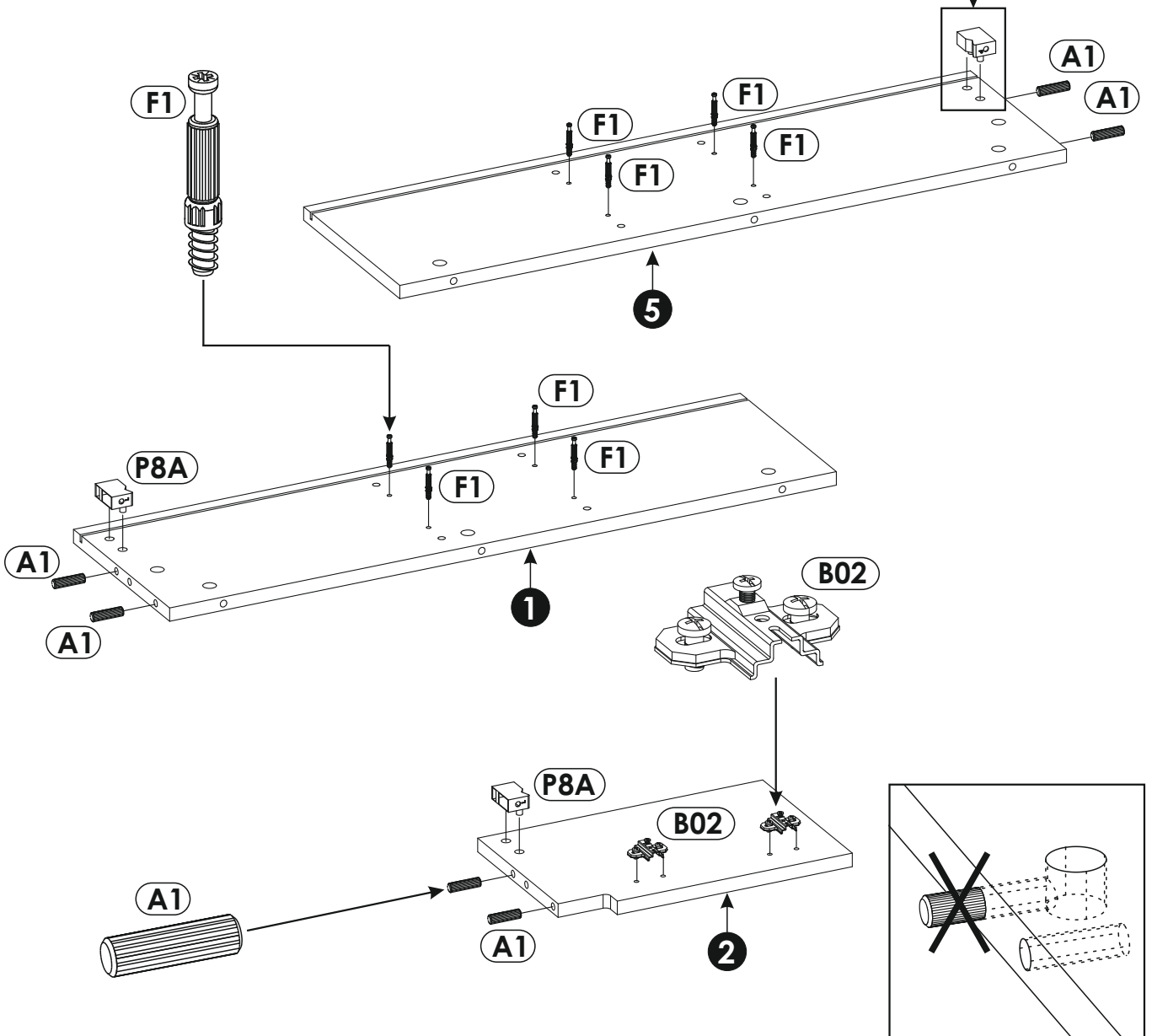
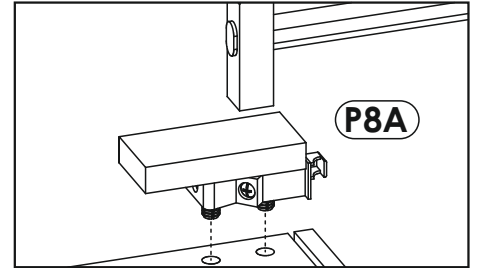
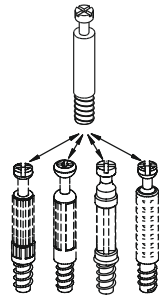
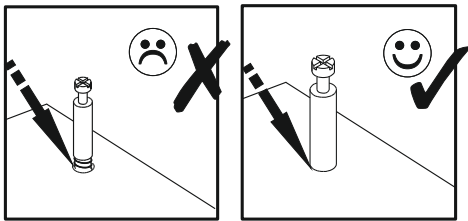
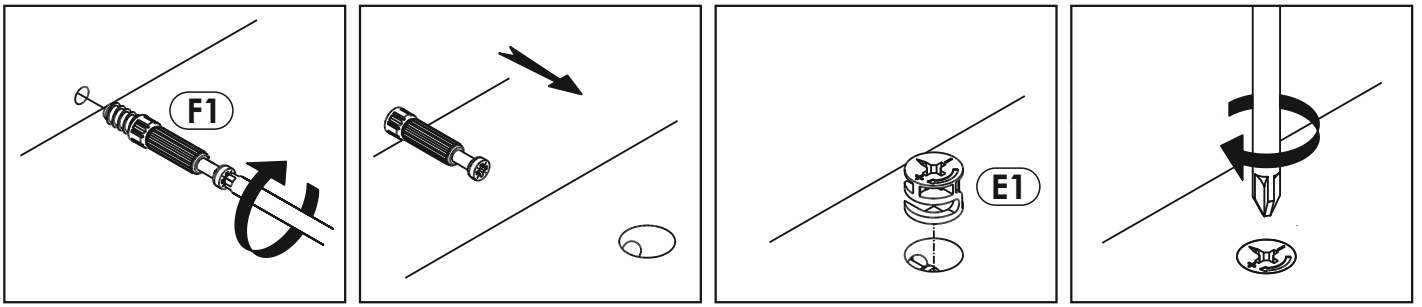


ANGEL 60

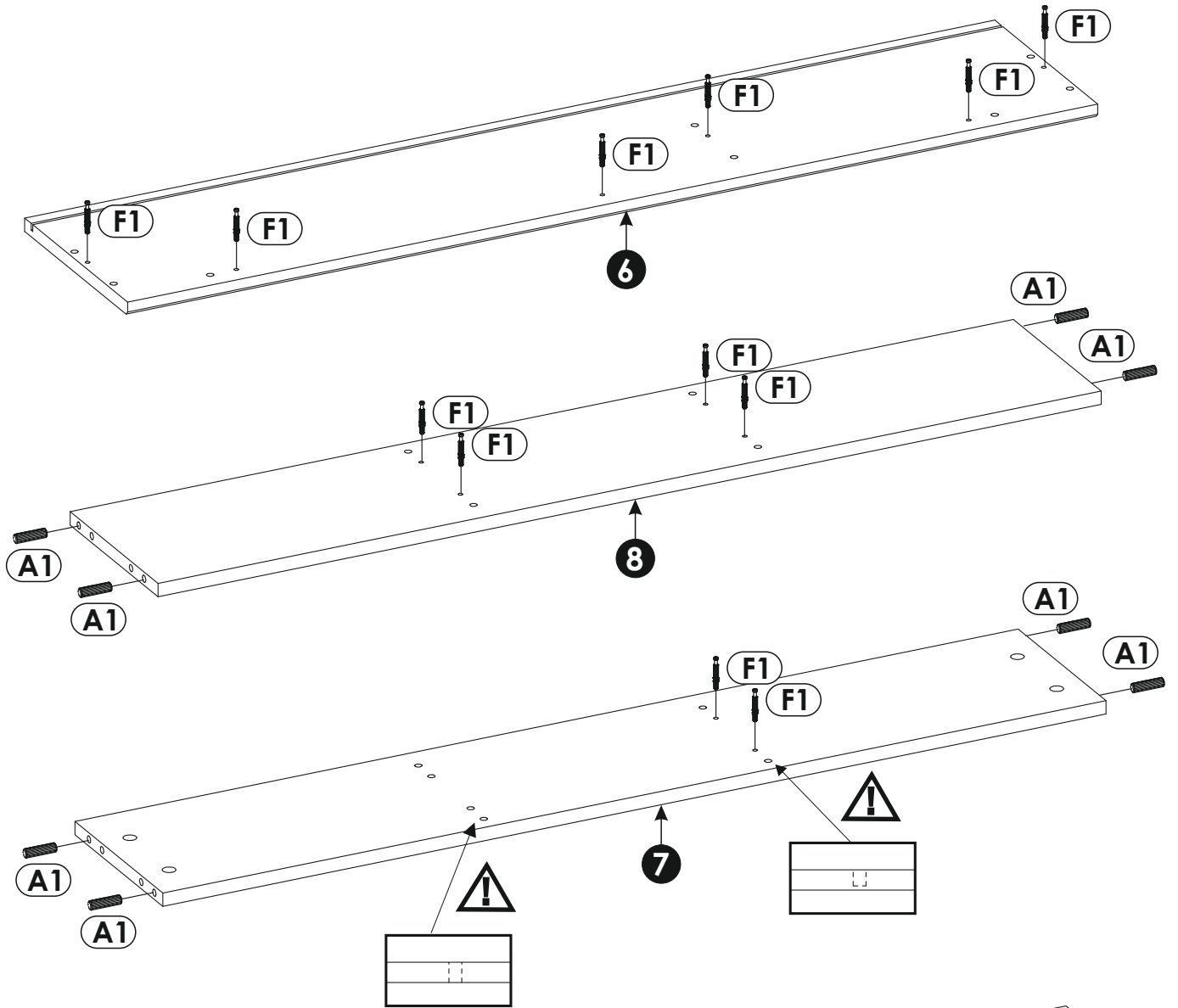


1	816	233	16	x1	1/1
2	342	213	16	x1	1/1
3	212	162	16	x1	1/1
4	212	162	16	x1	1/1
5	816	233	16	x1	1/1
6	1187	252	16	x1	1/1
7	1154	213	16	x1	1/1
8	1154	213	16	x1	1/1

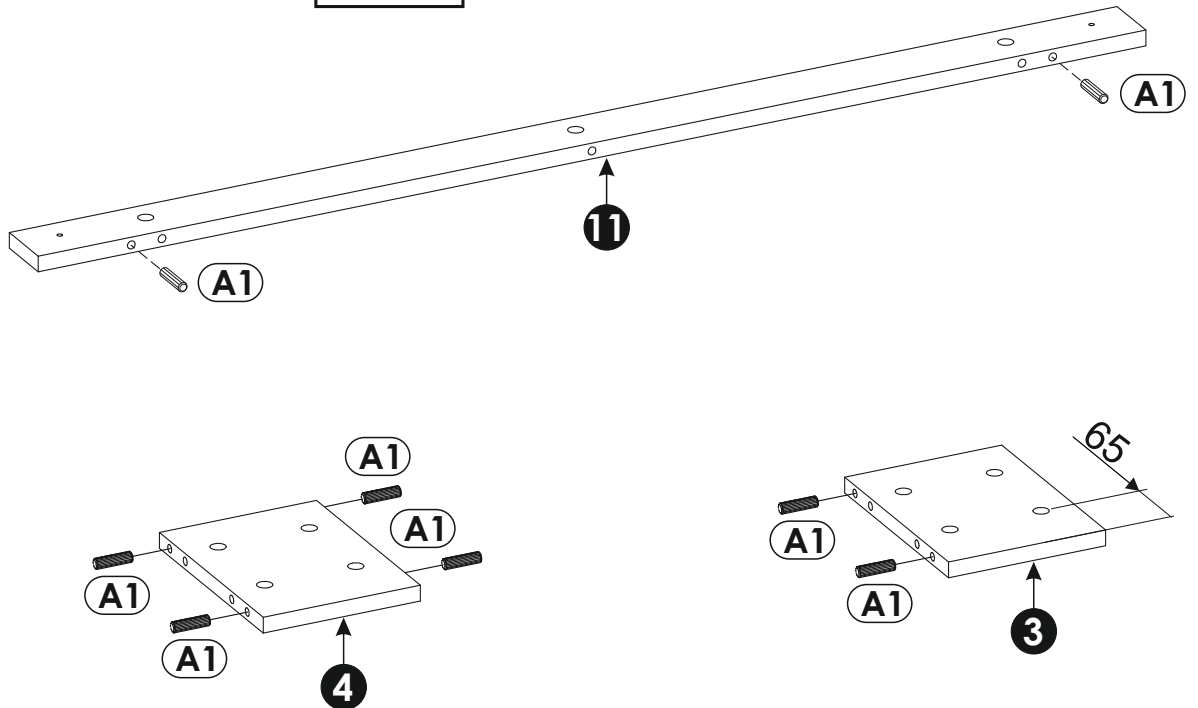
9	816	70	16	x1	1/1
10	816	70	16	x1	1/1
11	1154	60	16	x1	1/1
12	345	345	16	x2	1/1
13	345	345	16	x1	1/1
14	1169	184	3	x1	1/1
15	1169	356	3	x1	1/1



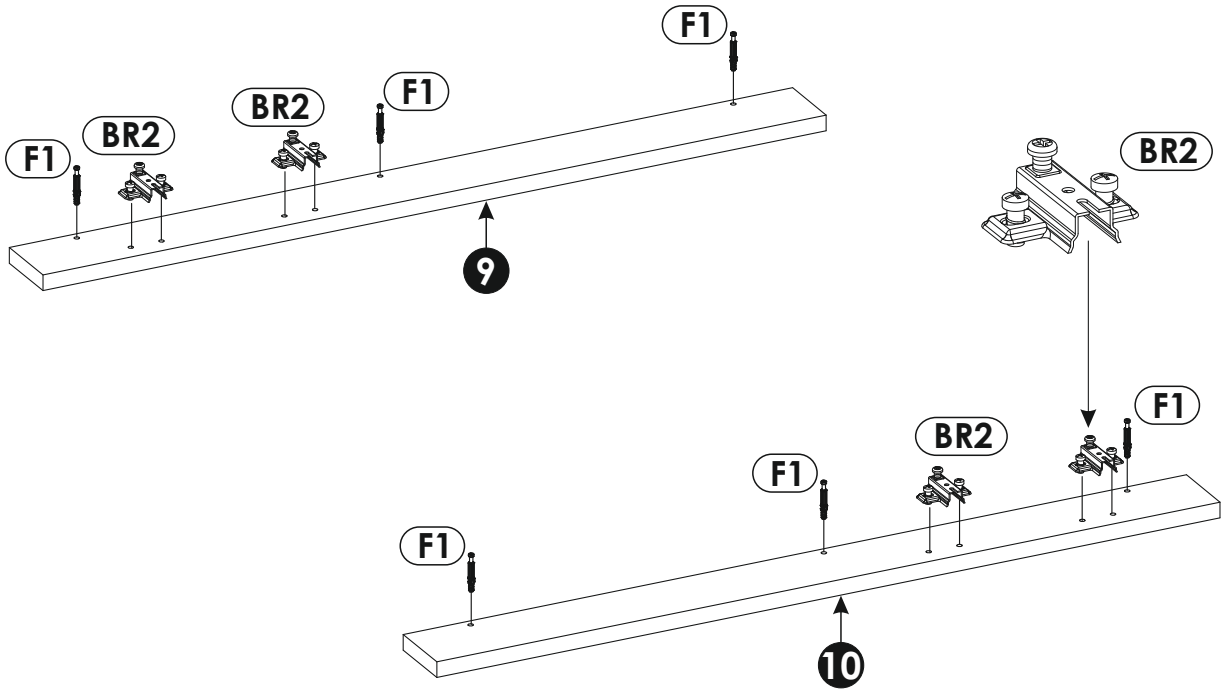
2 ▶



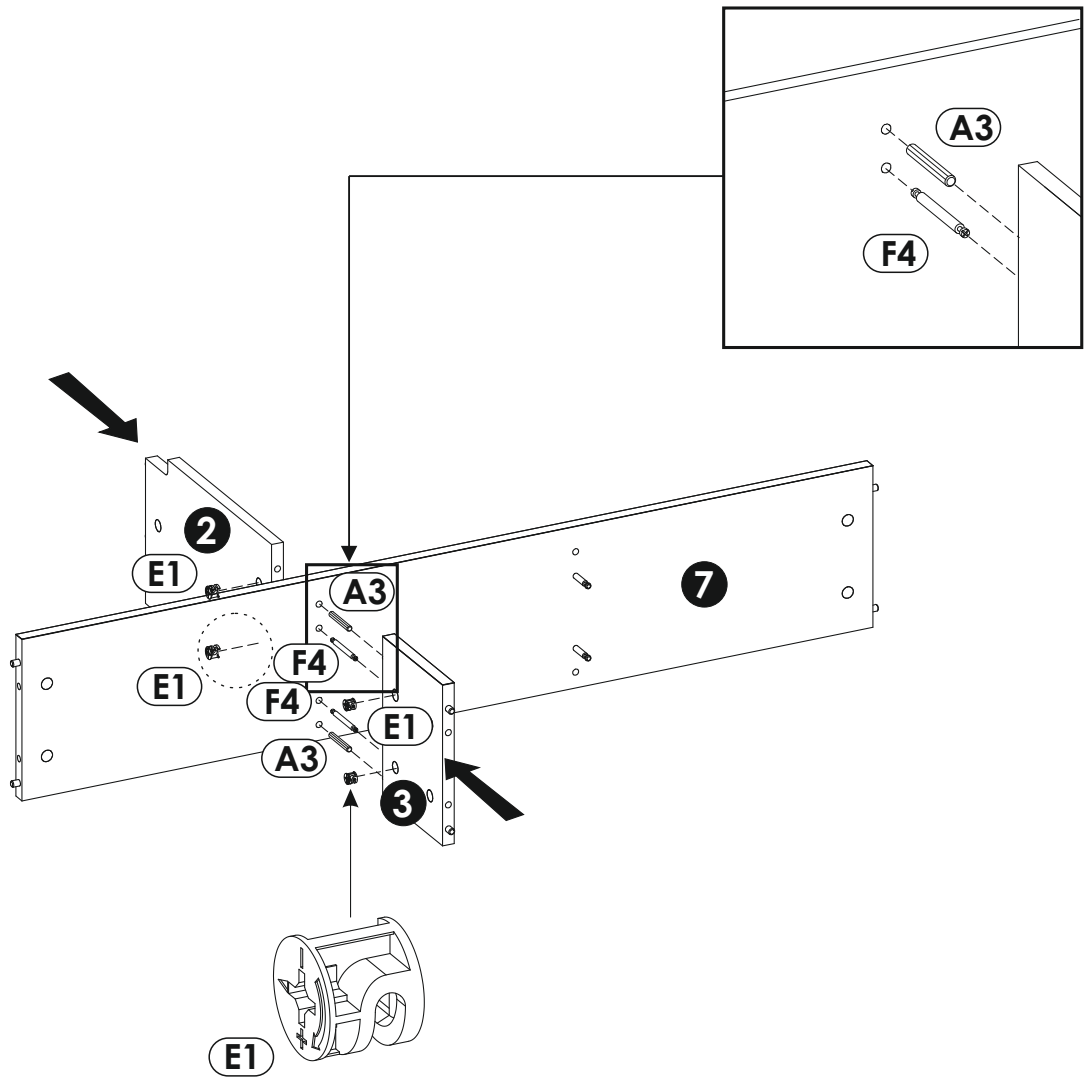
3 ▶



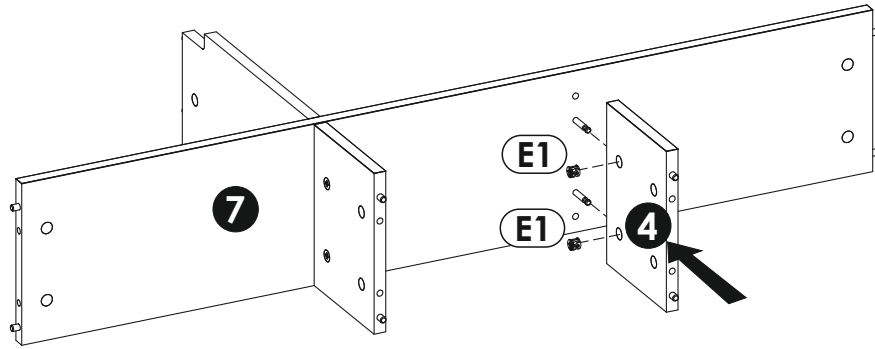
4 ▶



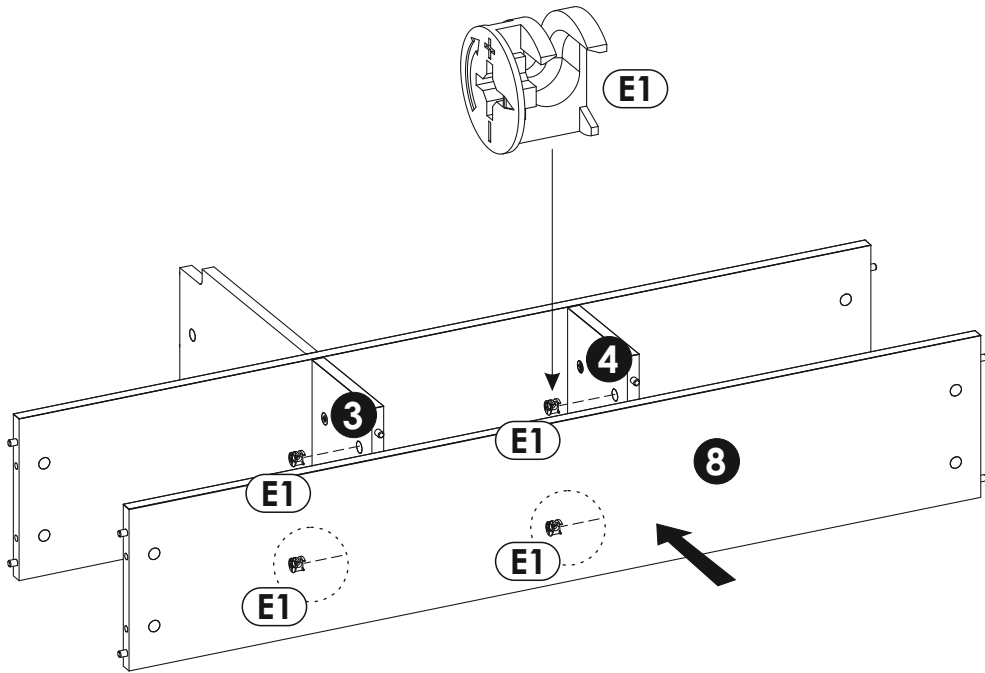
5 ▶



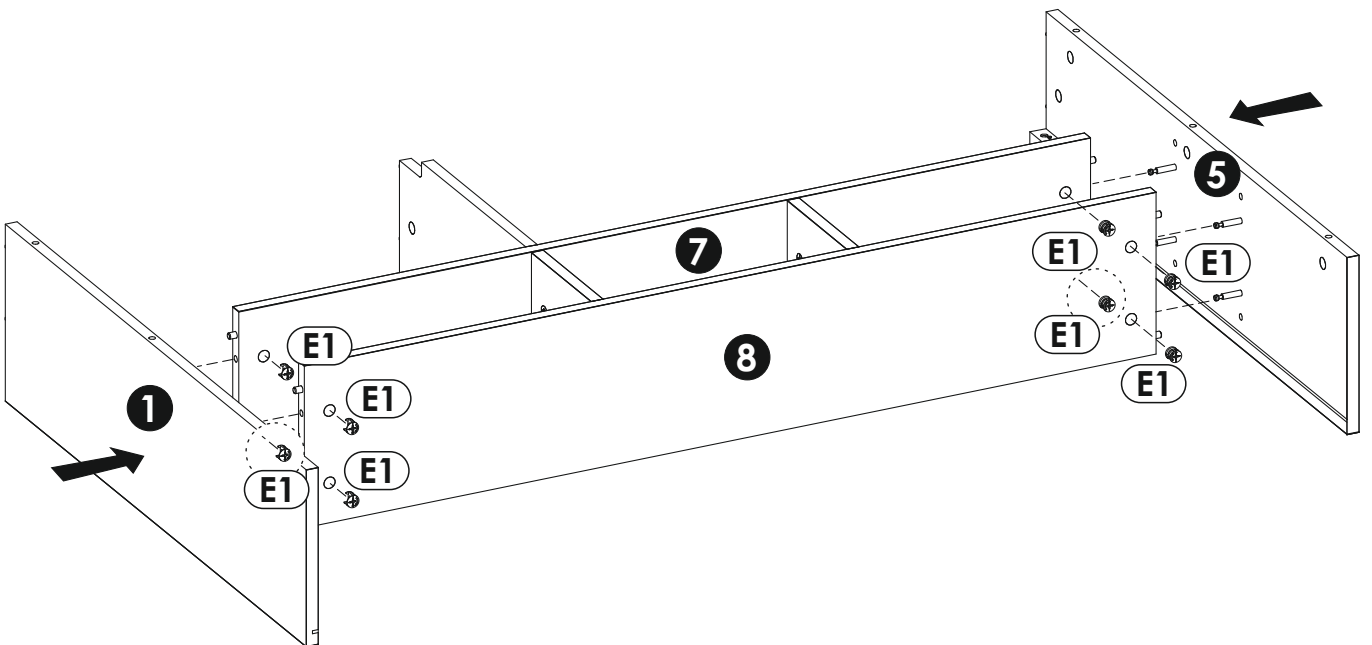
6 ▶



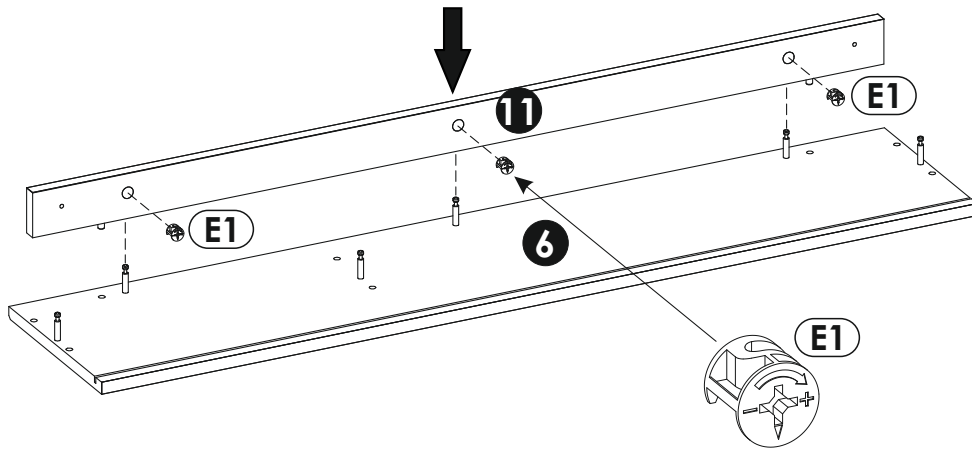
7 ▶



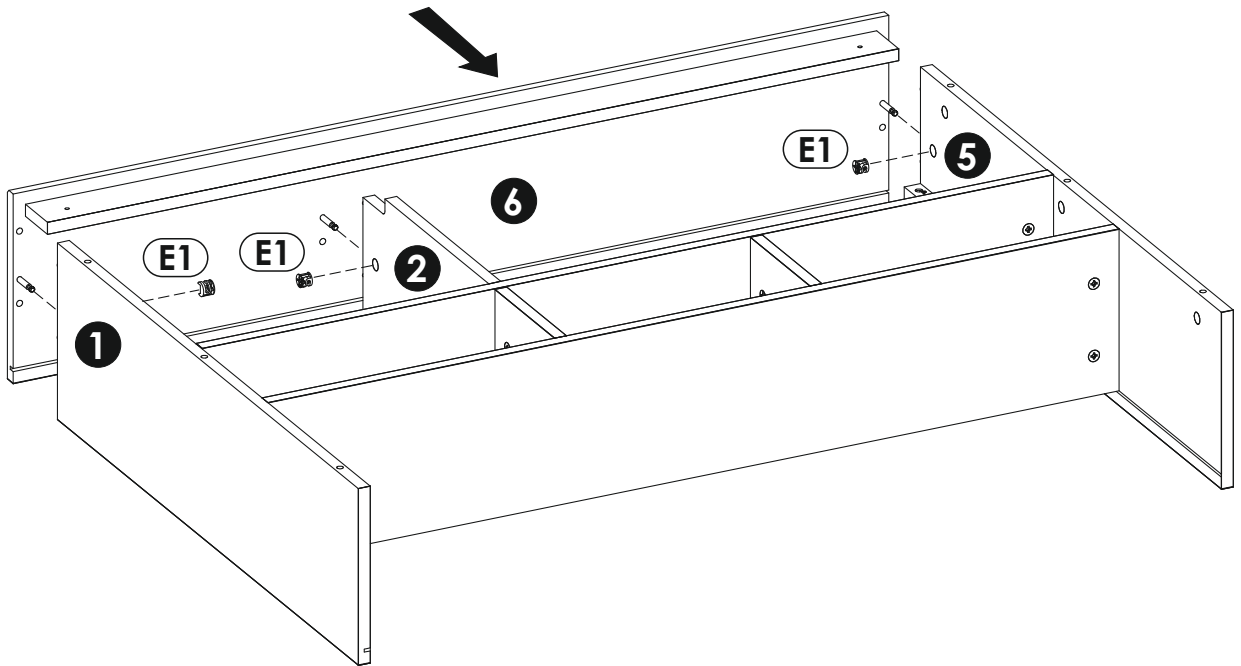
8 ▶



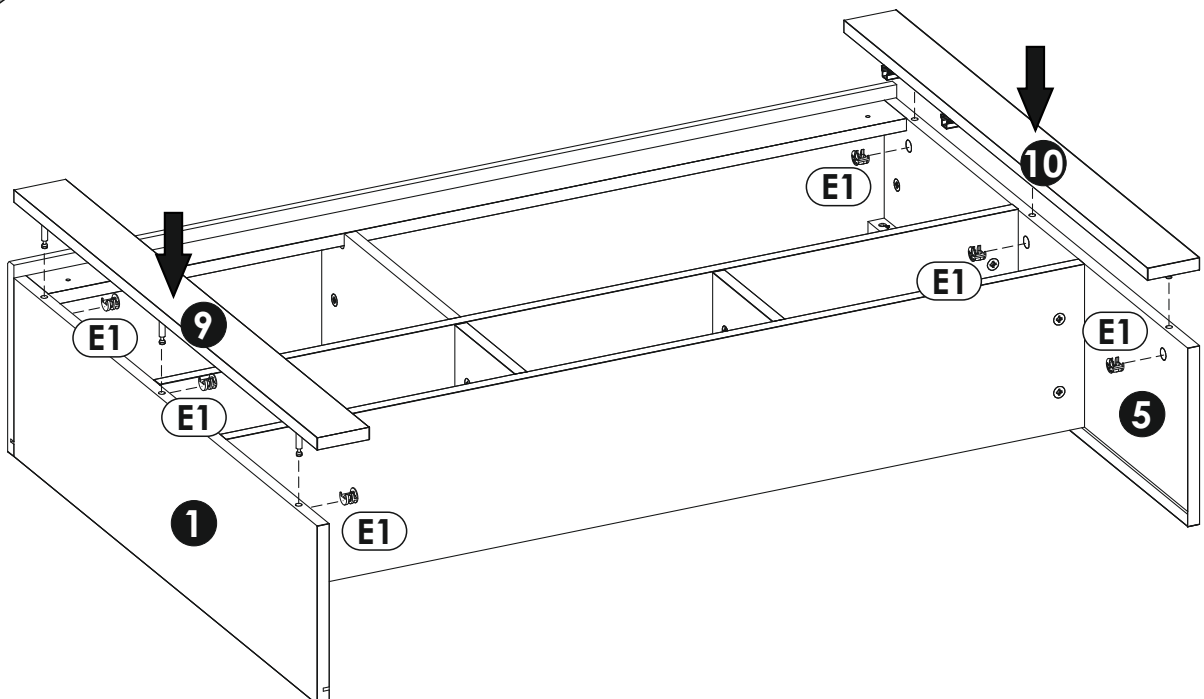
9 ▶



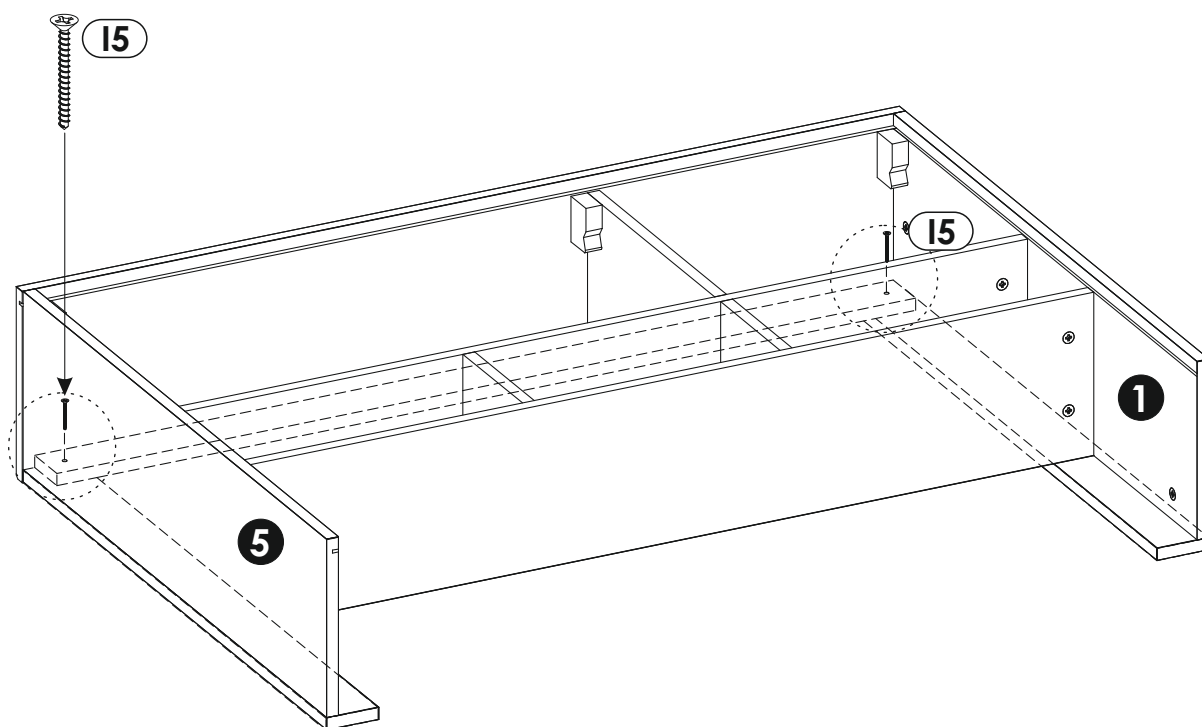
10 ▶



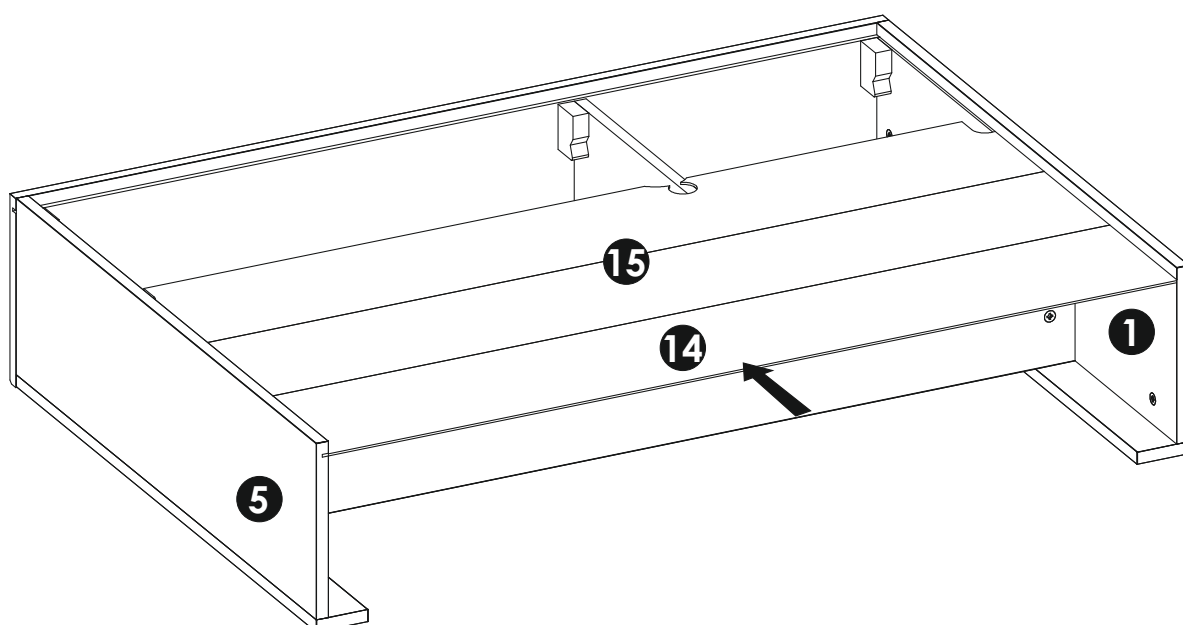
11 ▶



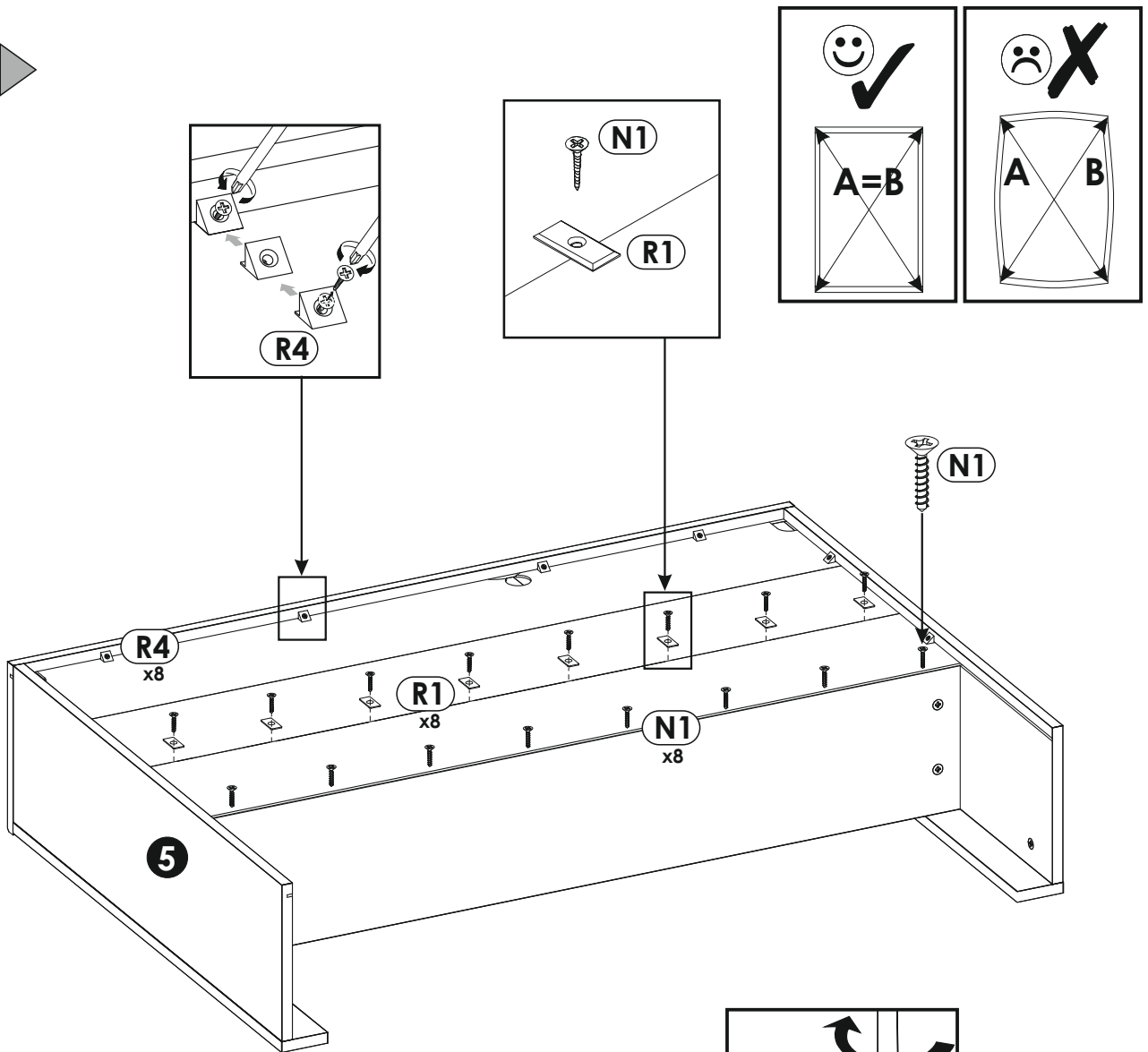
12 ▶



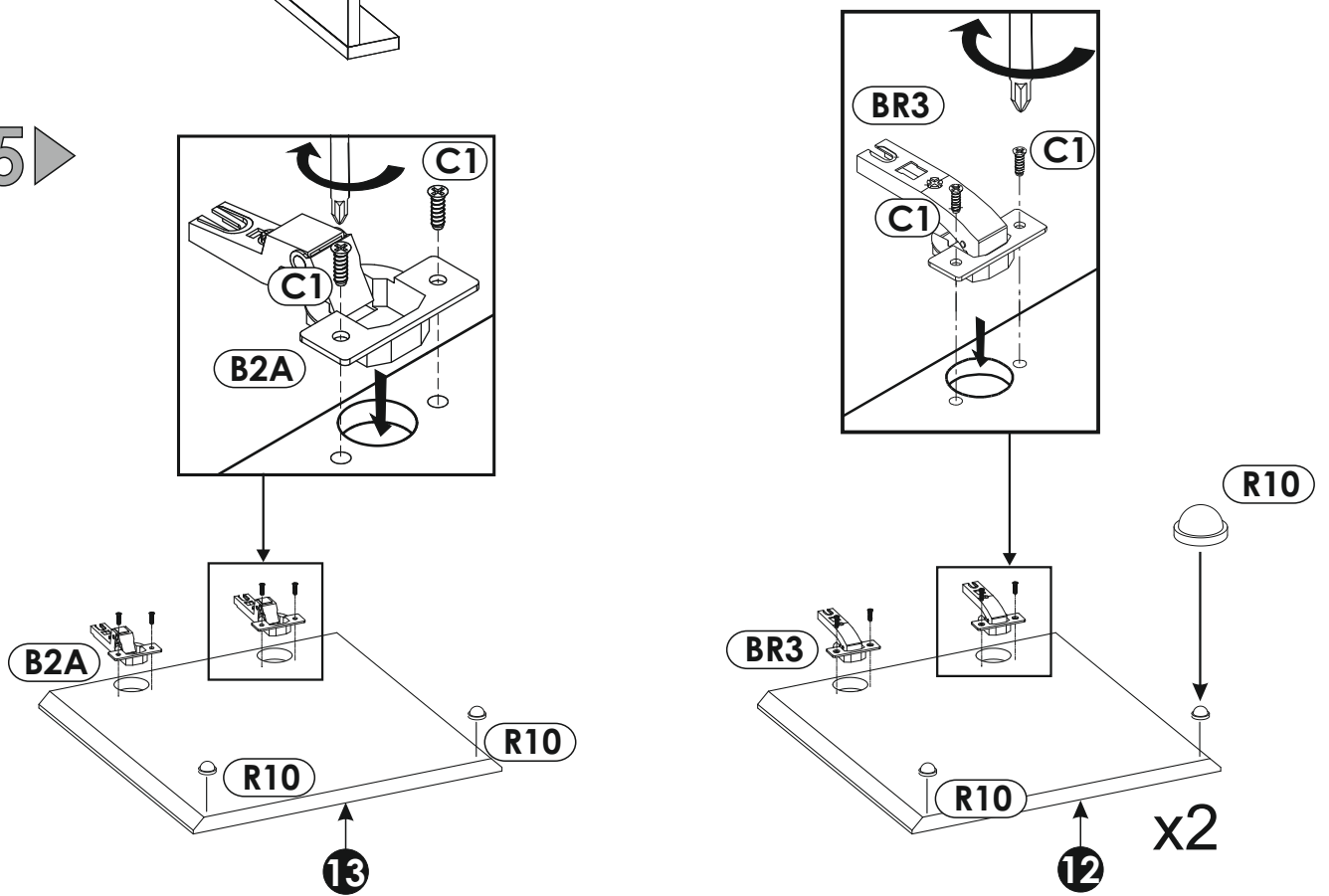
13 ▶

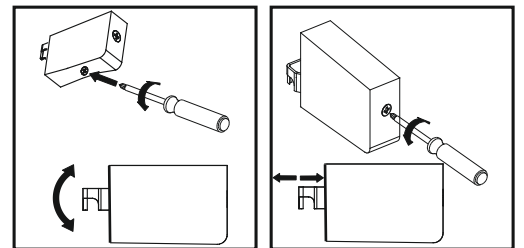
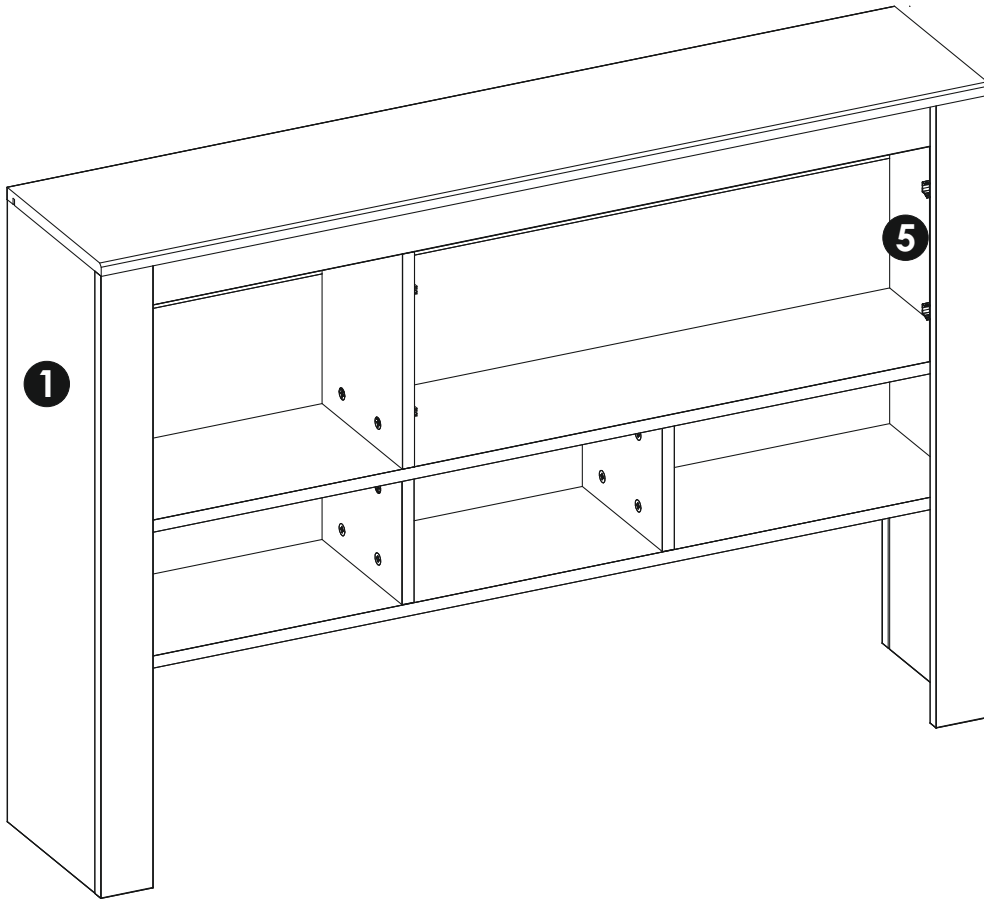
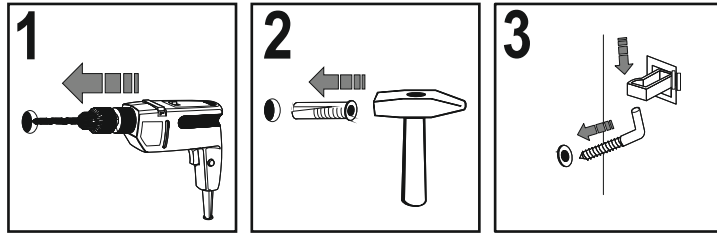


14 ▶

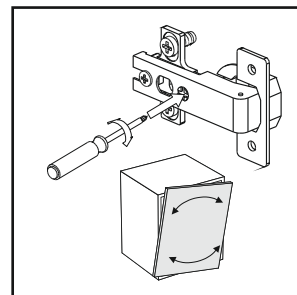
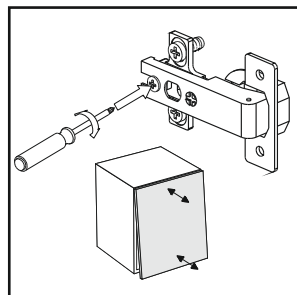
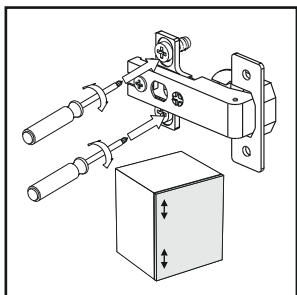
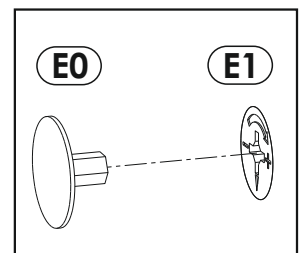
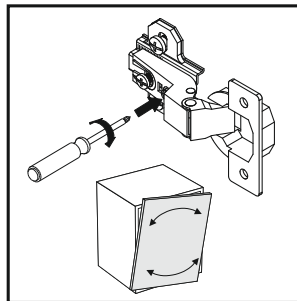
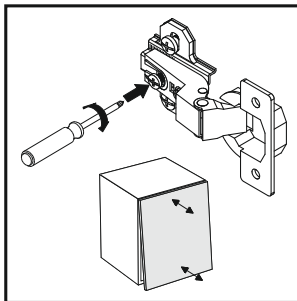
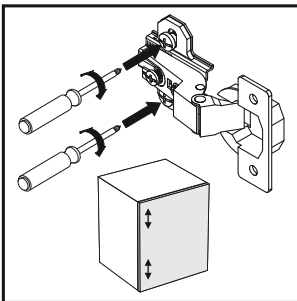
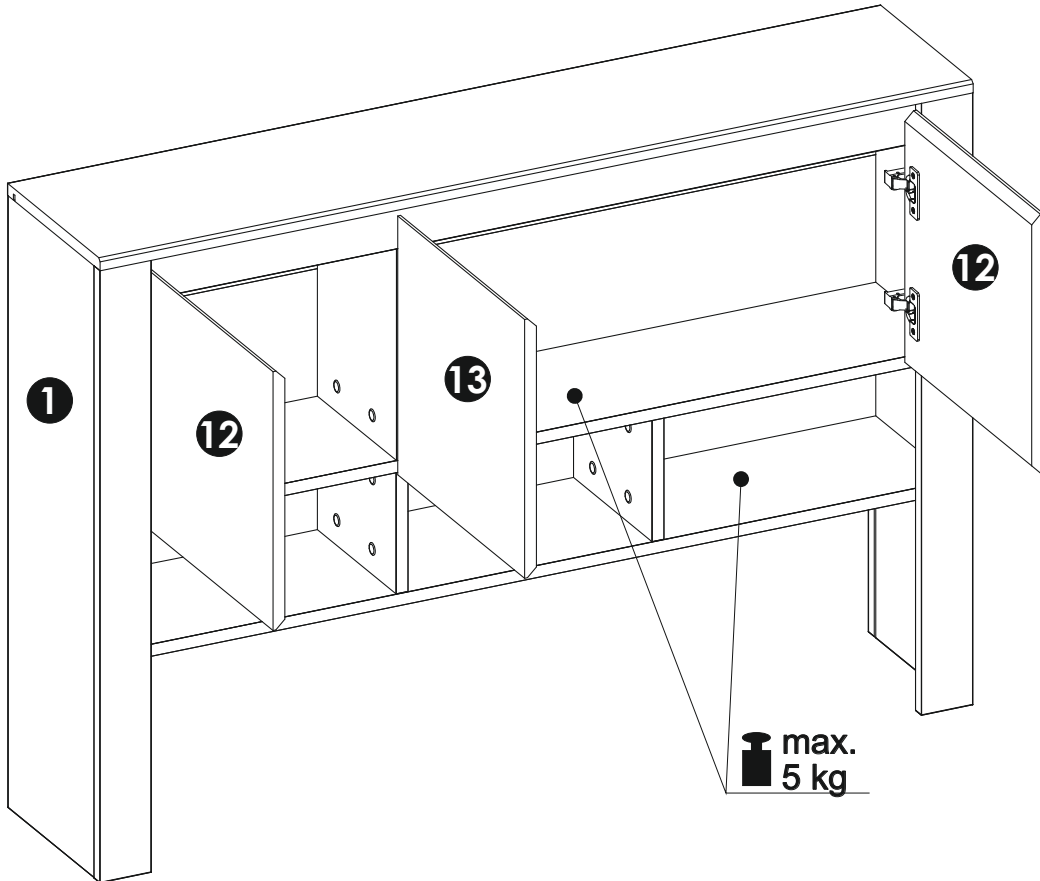
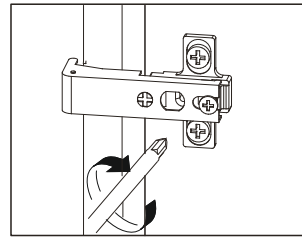
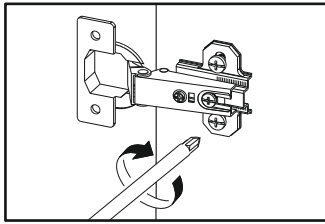
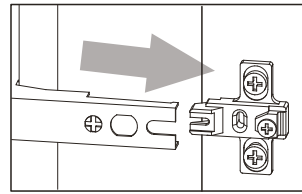
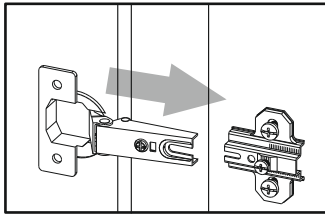


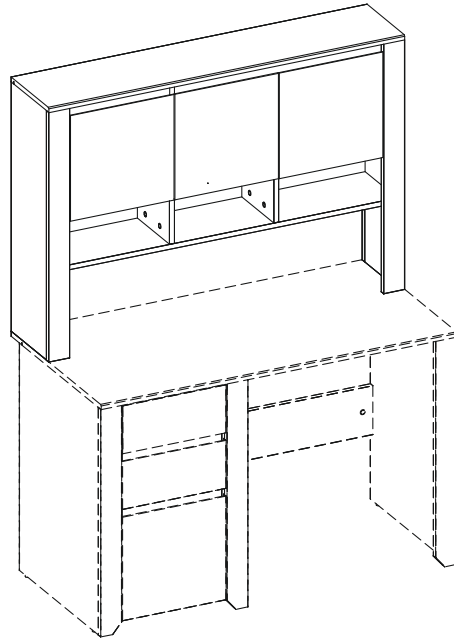
15 ▶



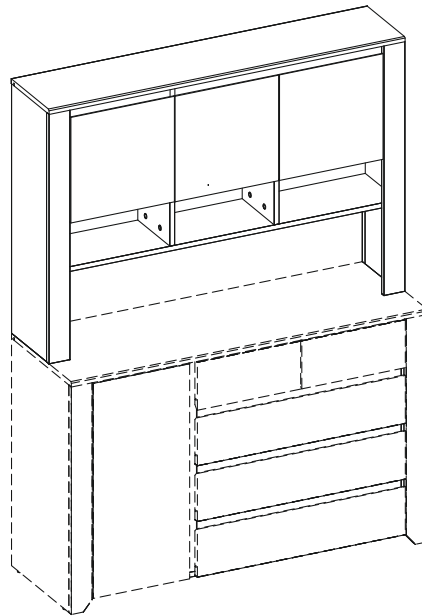


17 ▶

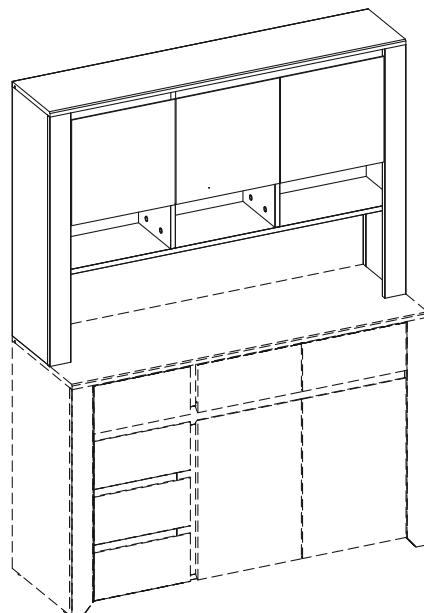




ANGEL 80



ANGEL 41



ANGEL 42

