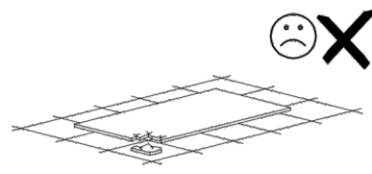
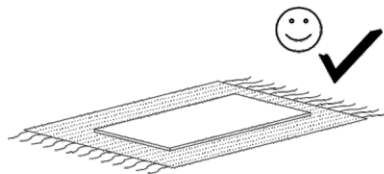
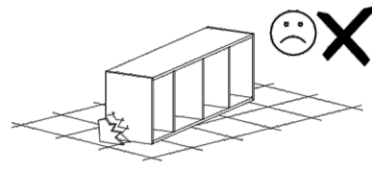
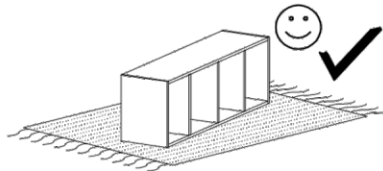
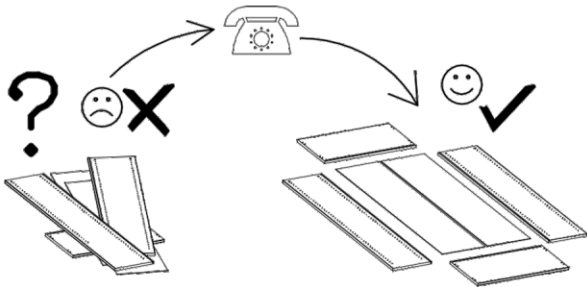
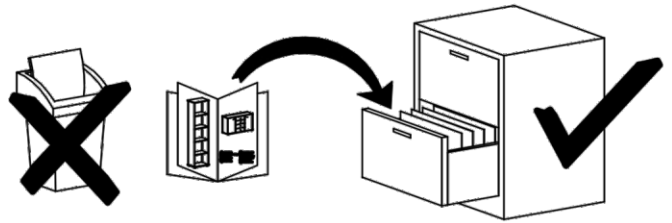
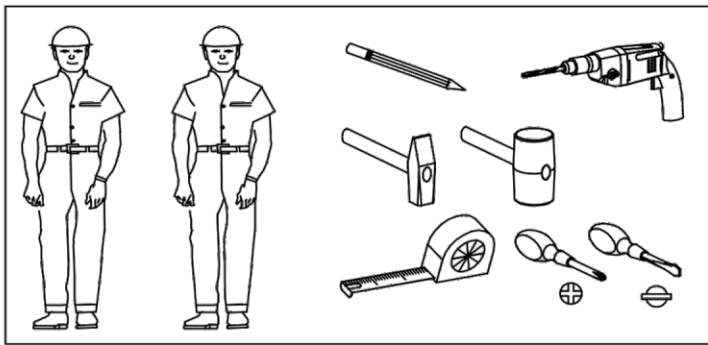
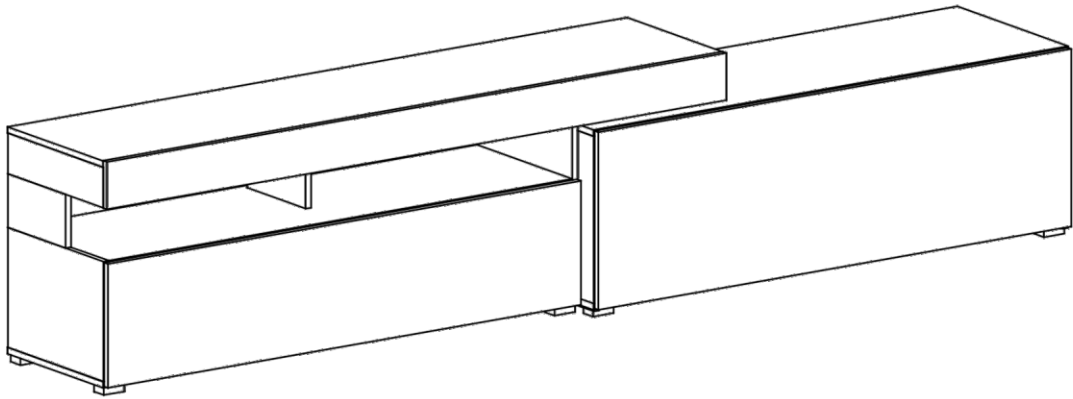
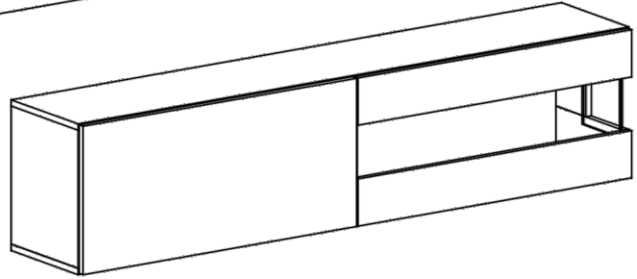
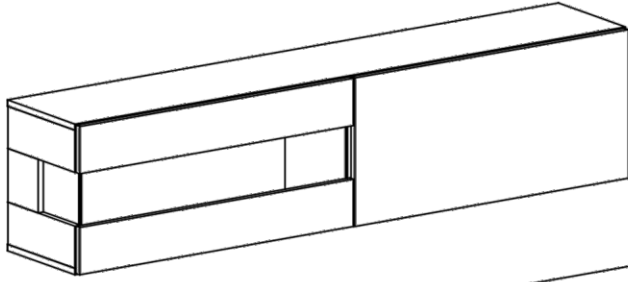
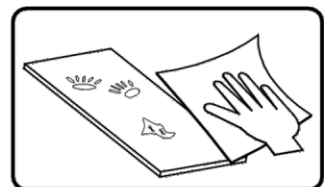
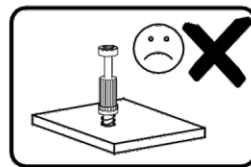
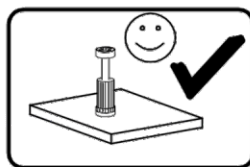
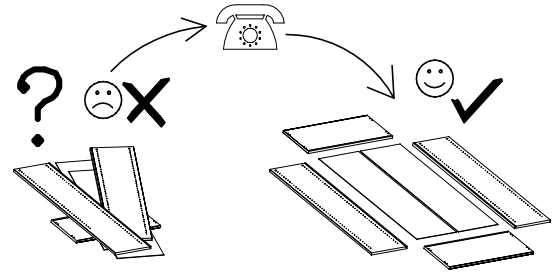
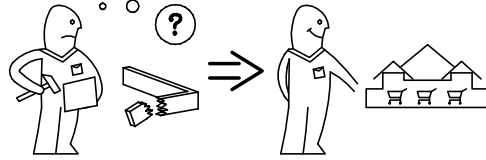
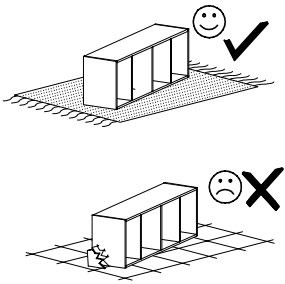


IOVA

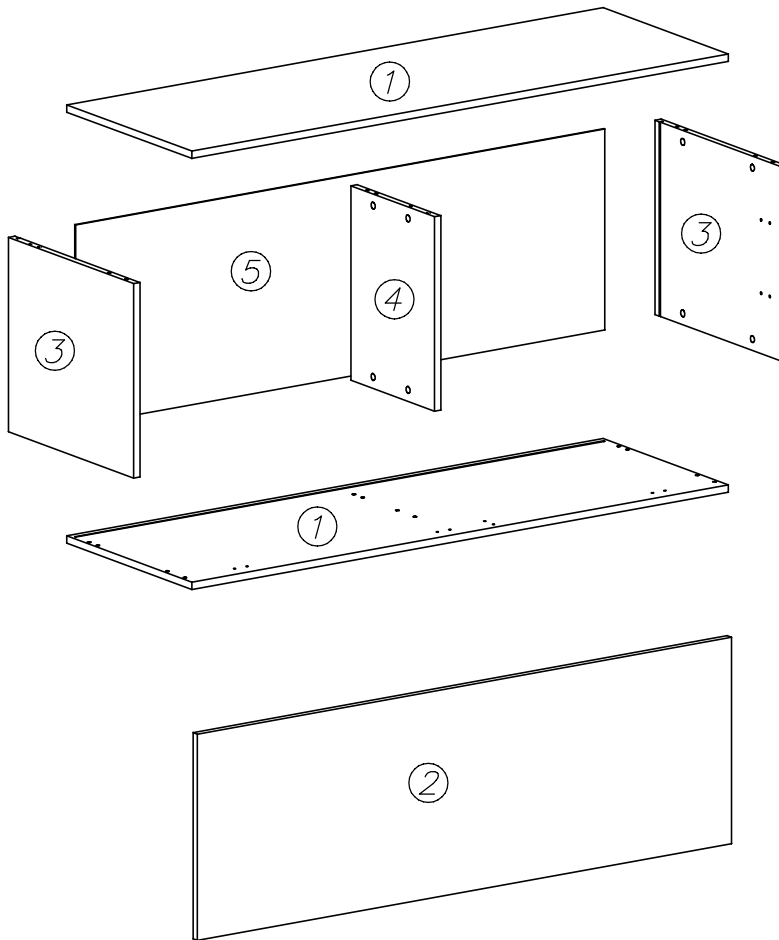


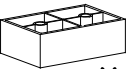
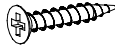
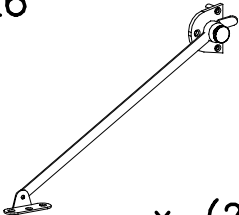



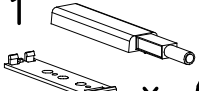
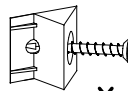
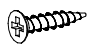
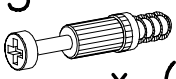

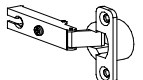
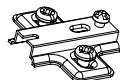

3,5h

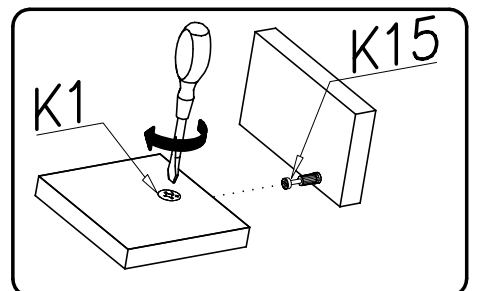
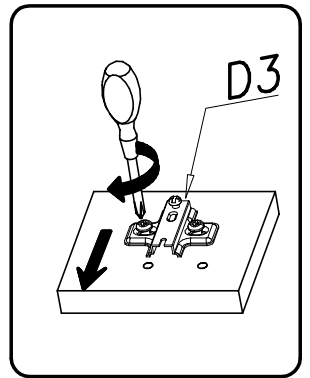
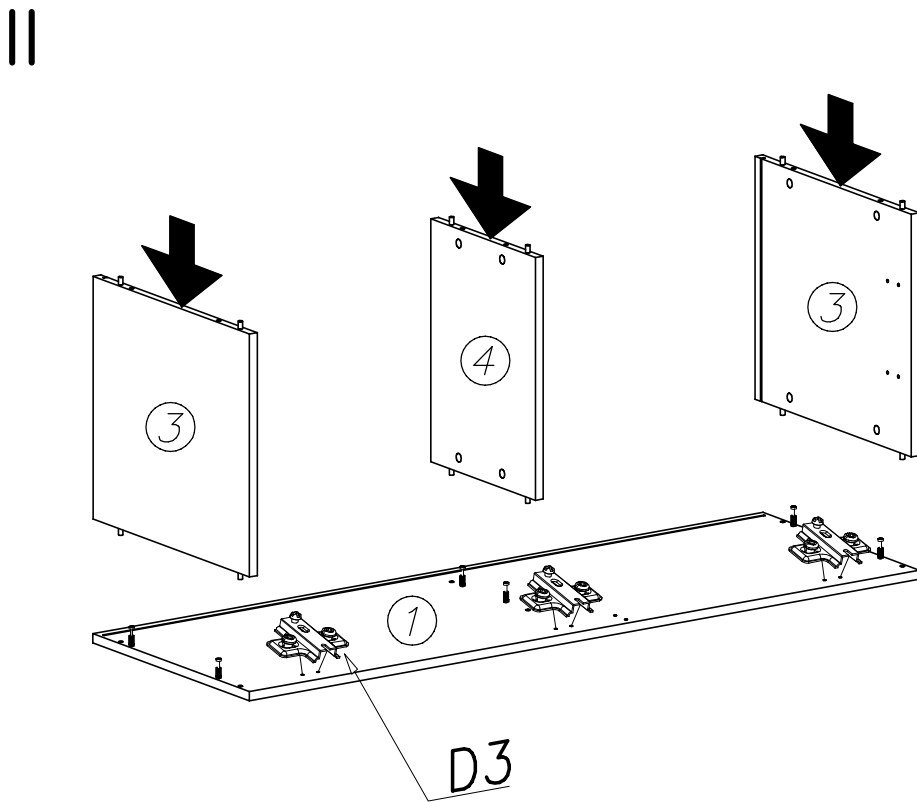
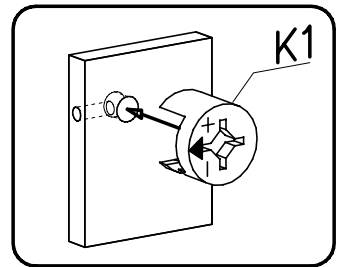
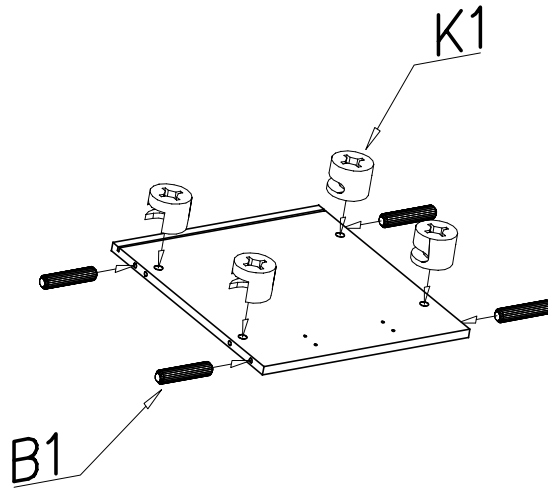
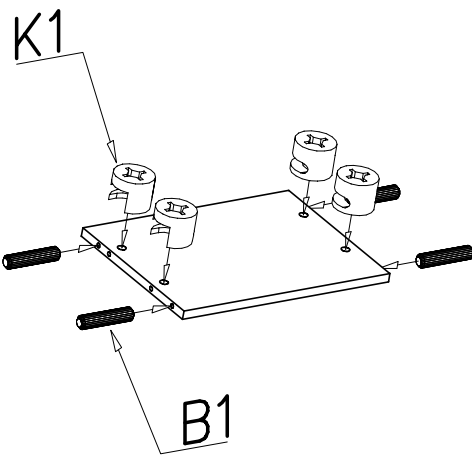
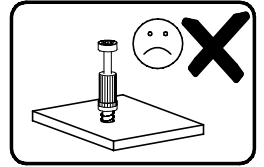
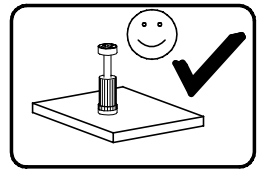
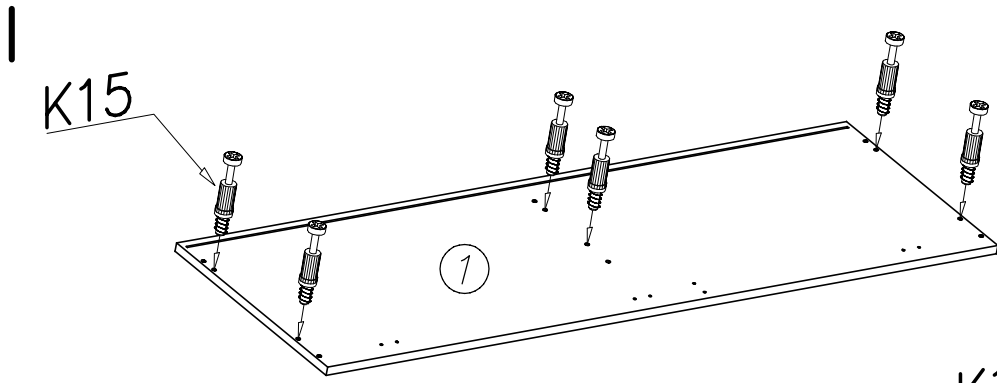
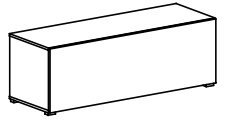


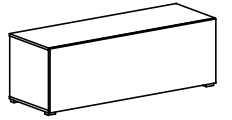


nr	L[mm]	B[mm]	T[mm]	Menge	Colli
1	1380	460	16	2	1/4
2	1374	450	16	1	1/4
3	424	460	16	2	1/4
4	424	308	16	1	2/4
5	1359	436	3	1	1/4

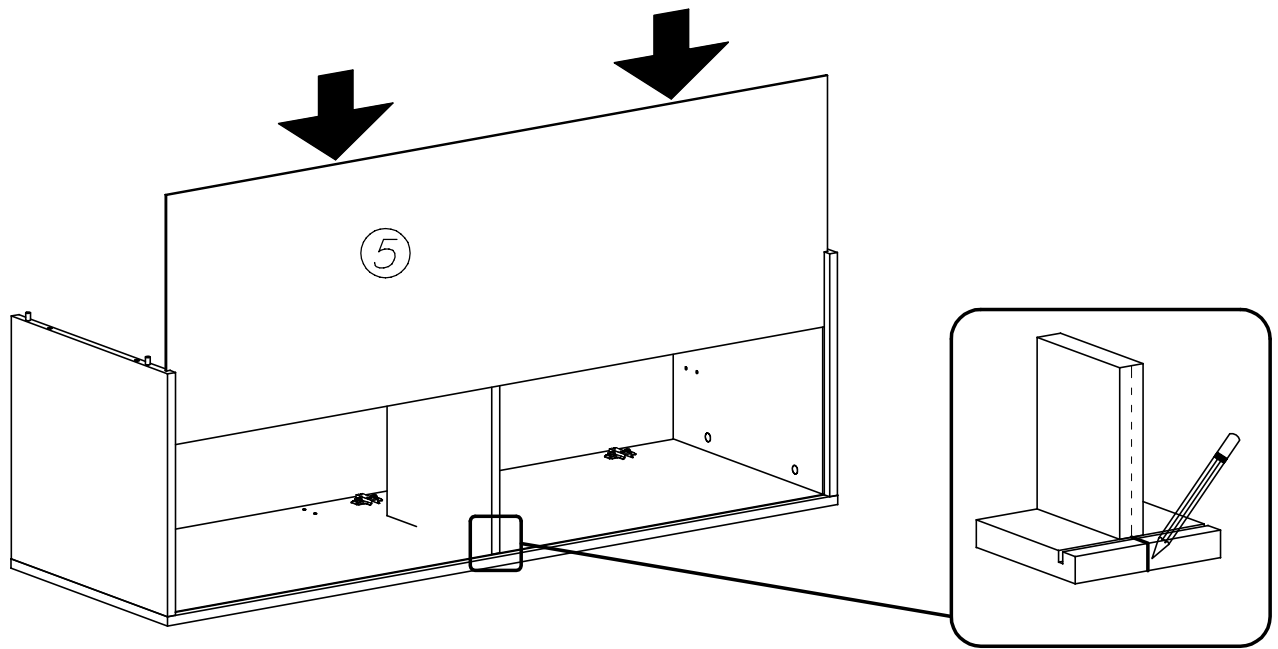


P15  x...(5)	G12  4x25 x...(10)	L6  x...(2)	G46  6x8 x...(2)	I4  ø5 x...(2)
K1  ø15x12 x...(12)	L11  x...(1)	I1  x...(10)	G21  3x16 x...(11)	
K15  x...(12)	B1  ø8x35 x...(12)	C3  Z35PR x...(3)	D3  PZ35PR x...(3)	G36  3,5x13 x...(12)

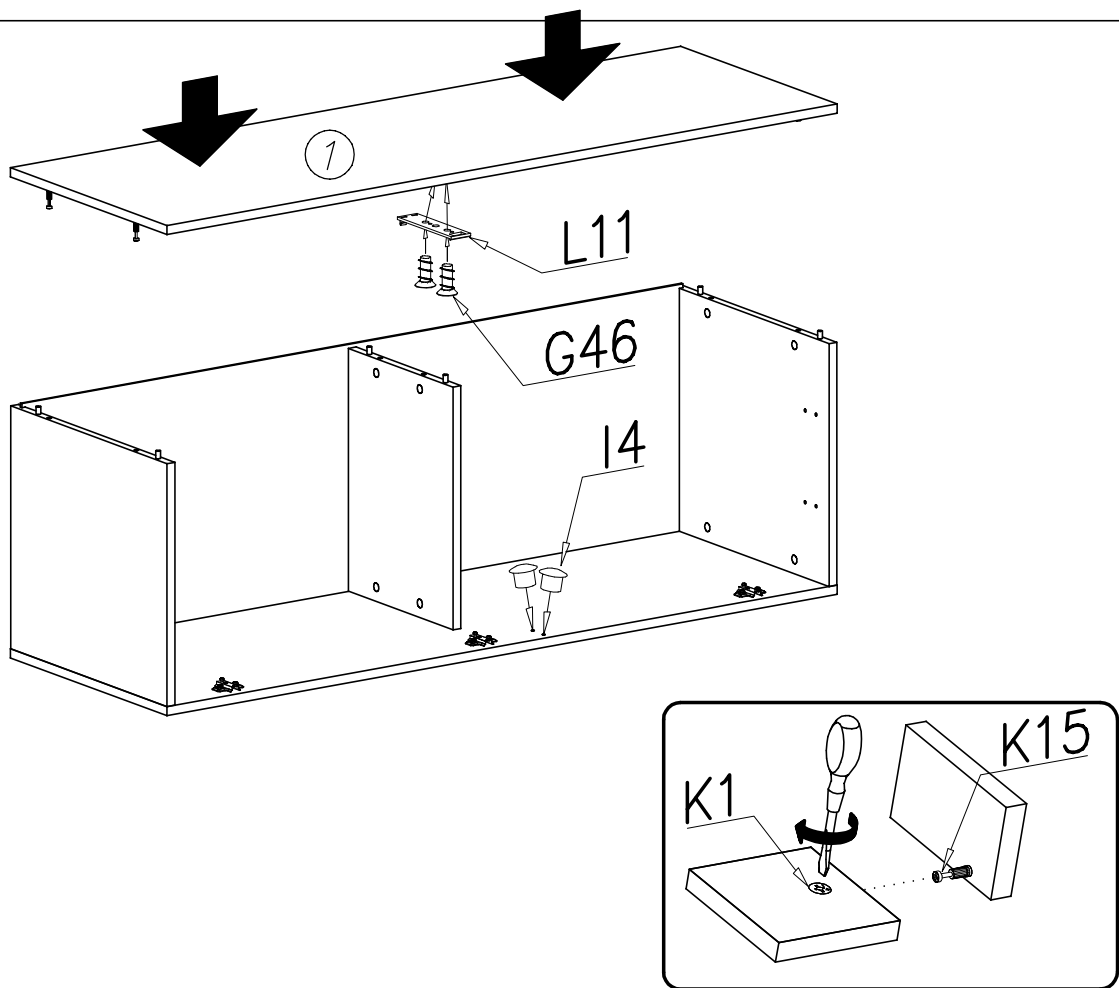


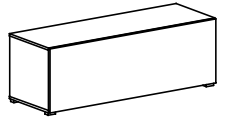


III

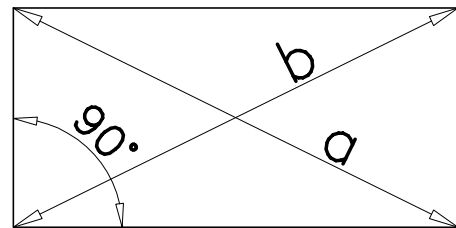
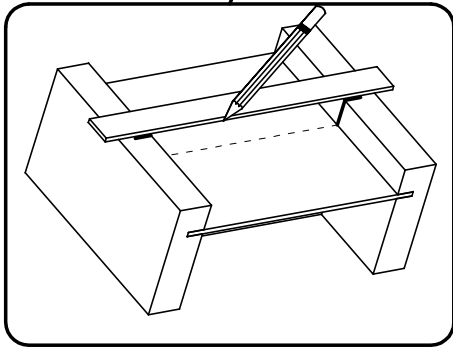
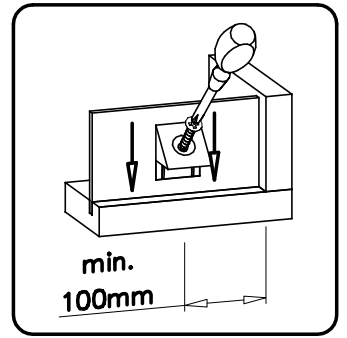
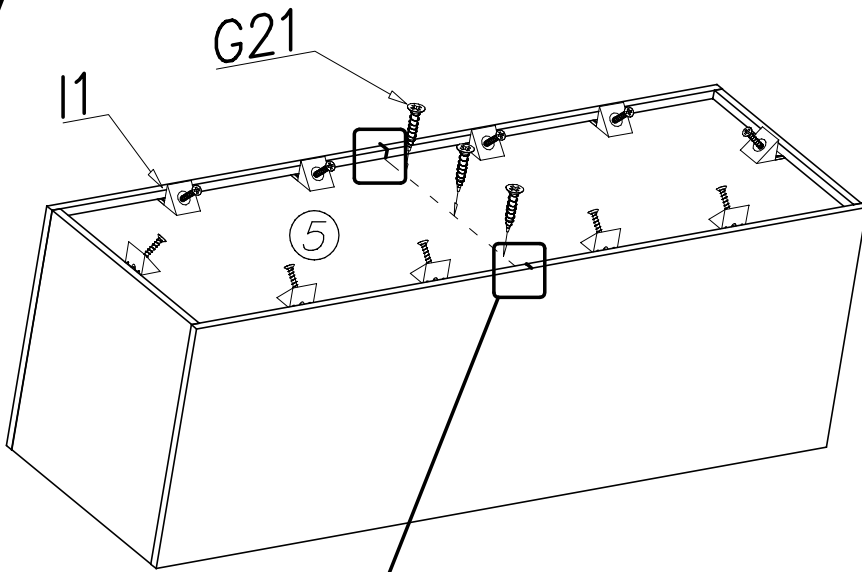


IV



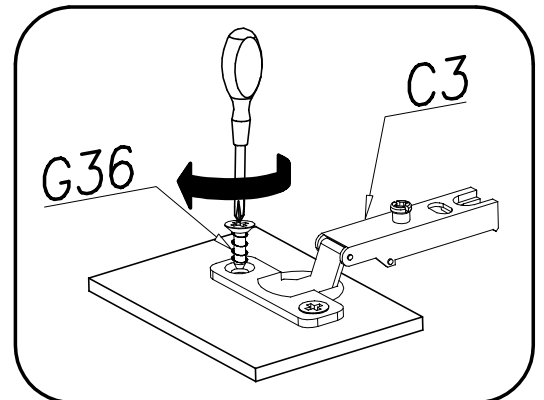
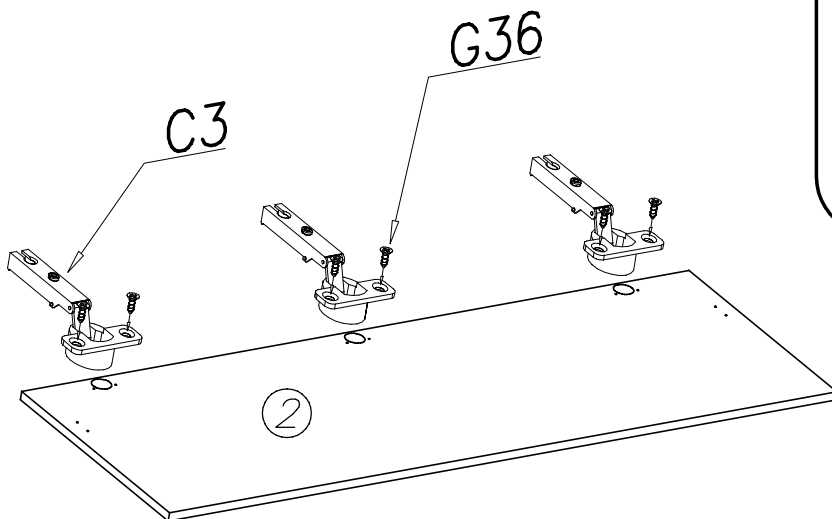


V



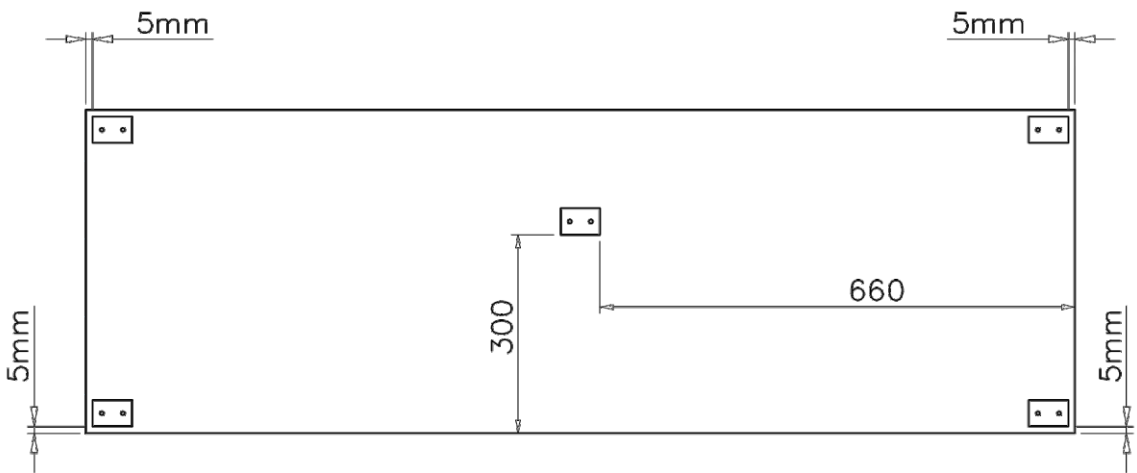
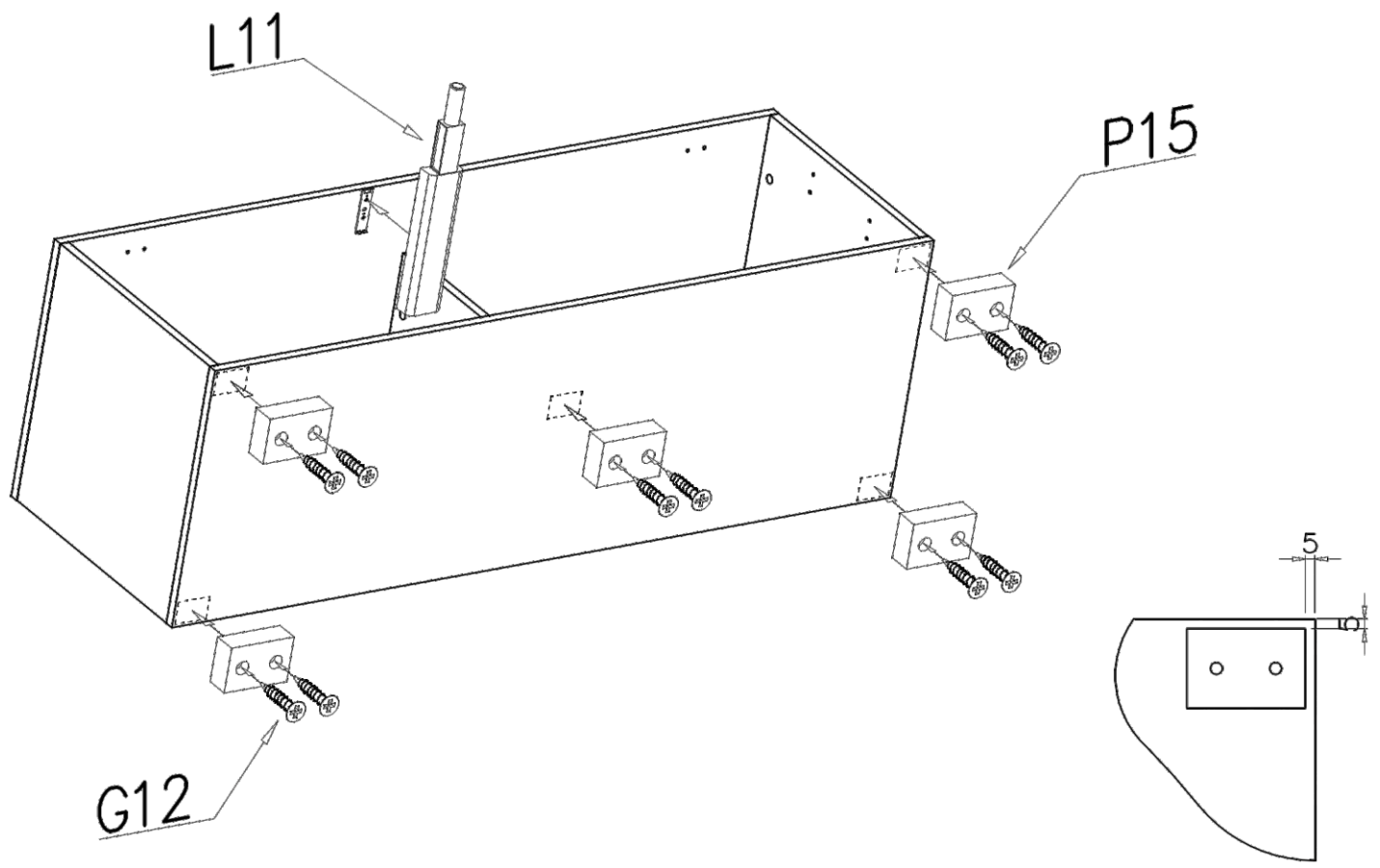
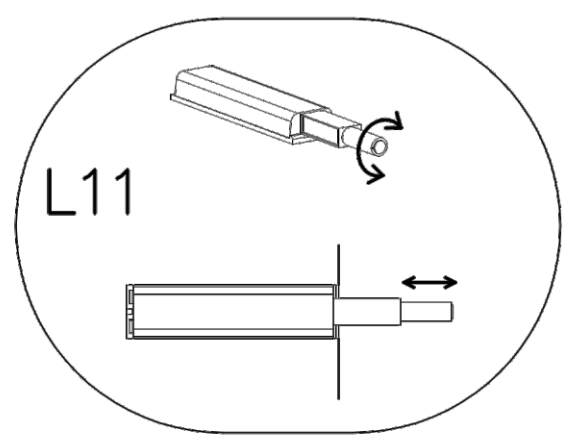
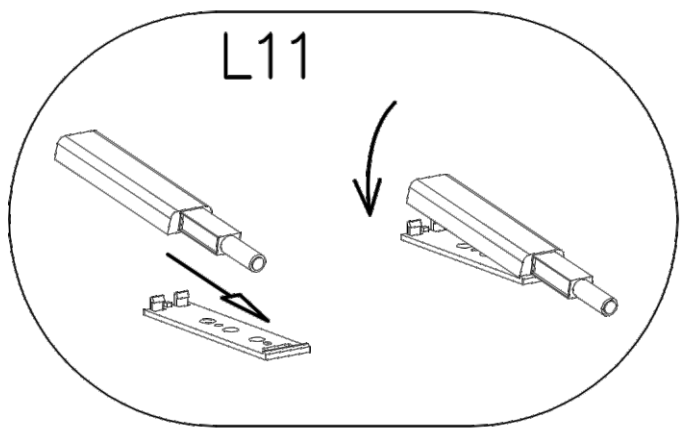
$$a = b$$

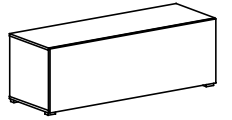
VI



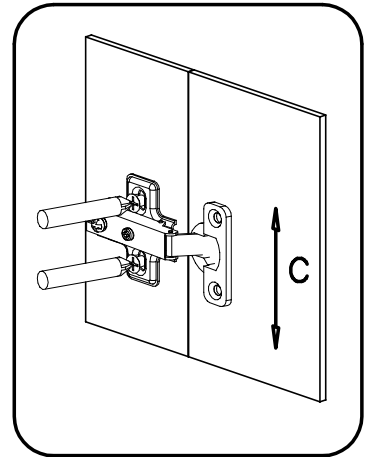
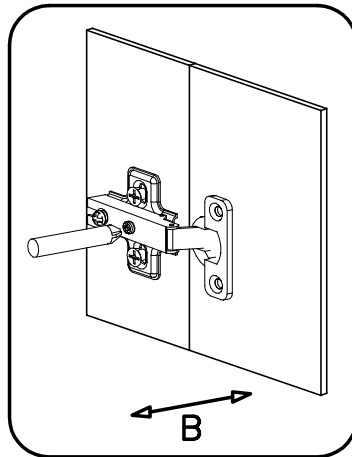
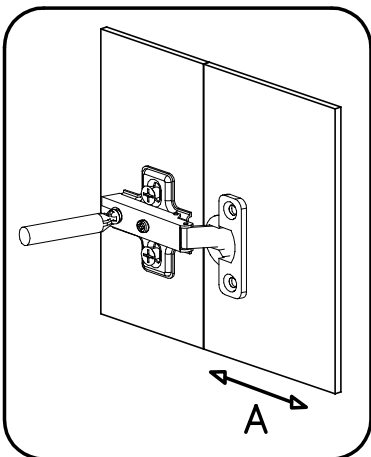
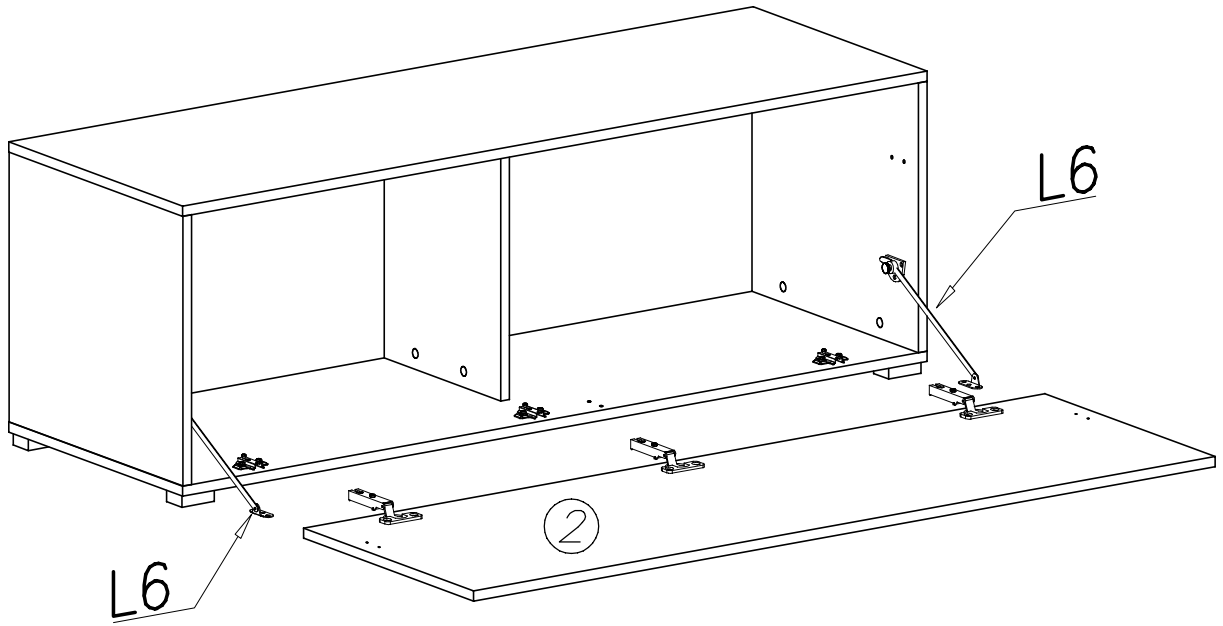
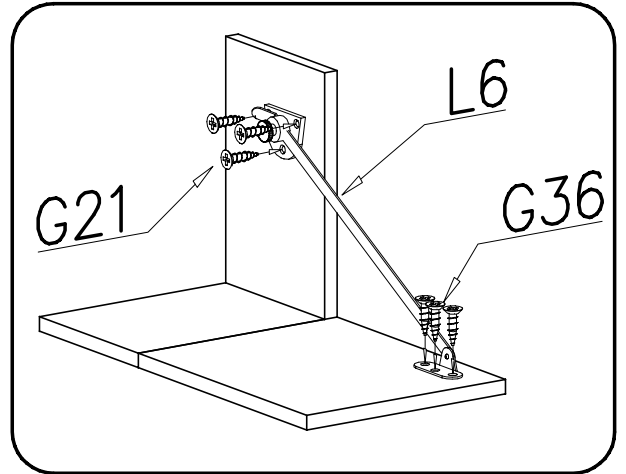
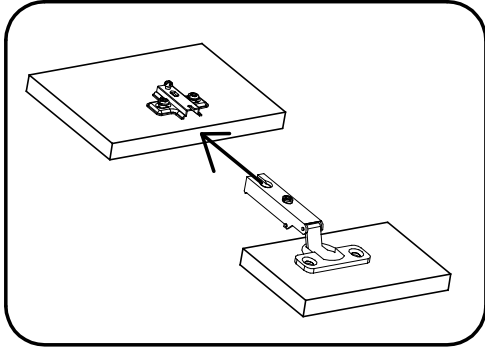


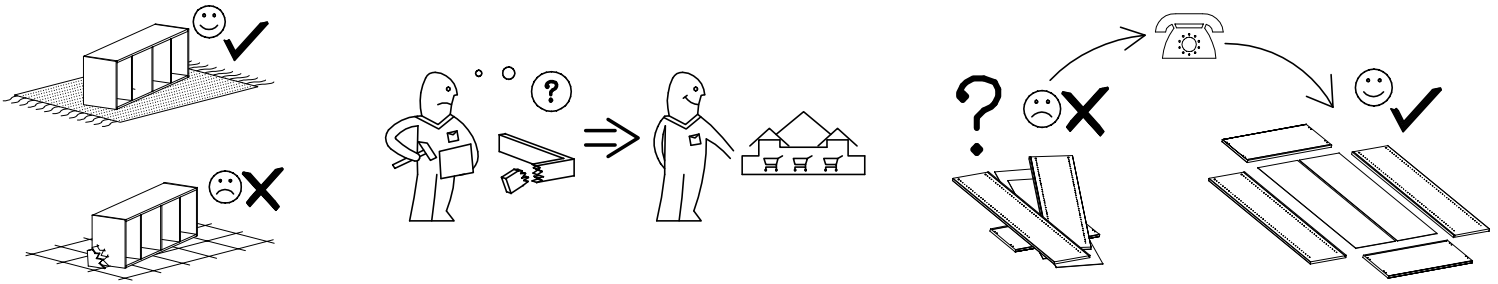
VII



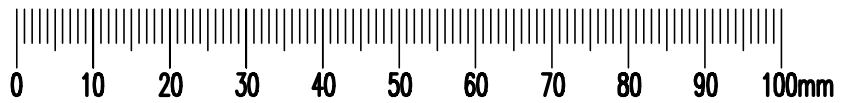
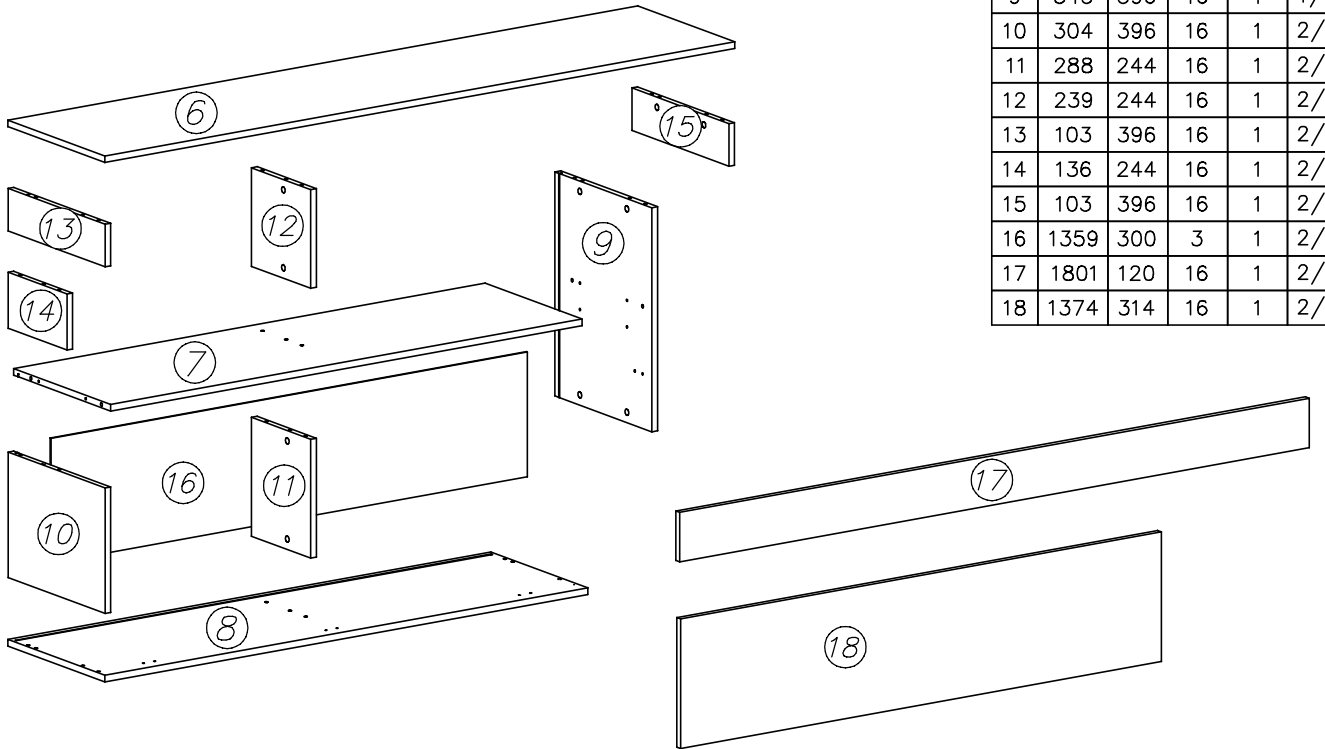



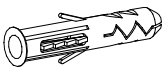




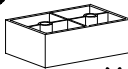
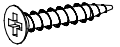
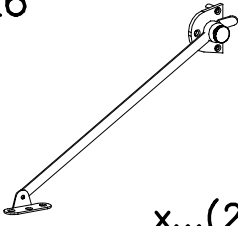


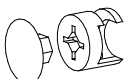
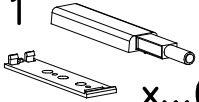
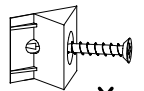

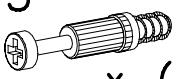

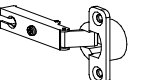
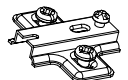

VIII

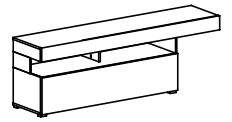




nr	L[mm]	B[mm]	T[mm]	Menge	Colli
6	1800	396	16	1	2/4
7	1347	396	16	1	2/4
8	1380	396	16	1	1/4
9	543	396	16	1	1/4
10	304	396	16	1	2/4
11	288	244	16	1	2/4
12	239	244	16	1	2/4
13	103	396	16	1	2/4
14	136	244	16	1	2/4
15	103	396	16	1	2/4
16	1359	300	3	1	2/4
17	1801	120	16	1	2/4
18	1374	314	16	1	2/4

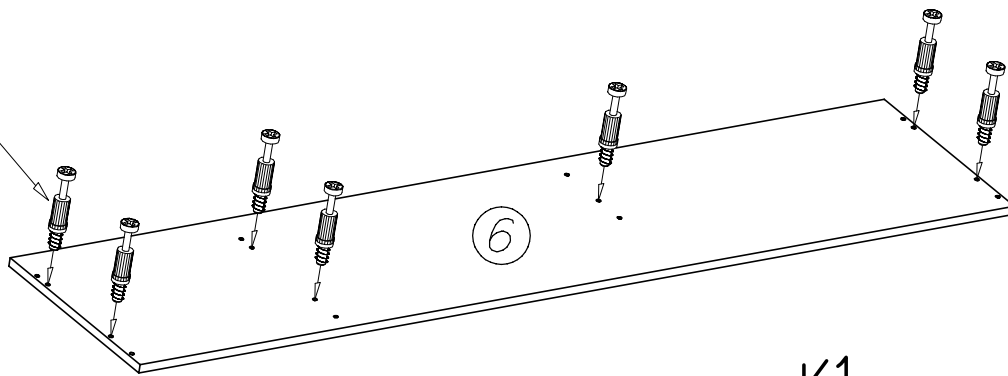


G8  4x30 x...(2)				
U6  ø8x40 x...(1)	G28  4x60 x...(1)	F12  x...(5)	B3  ø8x50 x...(4)	W1  GLUE, LEIM, LEPIDLO, LIM x...(1)
P15  x...(5)	G12  4x25 x...(10)	L6  x...(2)	G46  6x8 x...(2)	M11  x...(1)
K1  ø15x12 x...(20)	L11  x...(1)		I1  x...(10)	G21  3x16 x...(9)
K15  x...(20)	B1  ø8x35 x...(22)	C3  Z35PR x...(3)	D3  PZ35PR x...(3)	G36  3,5x13 x...(34)

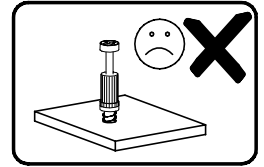
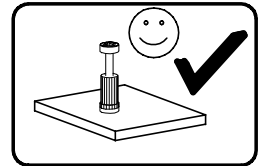


I

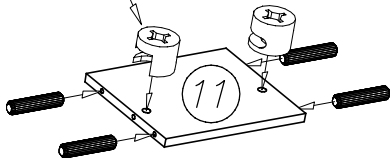
K15



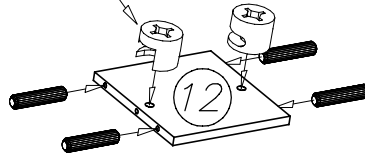
6



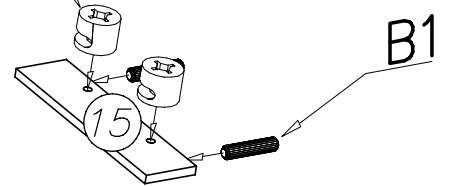
K1



K1

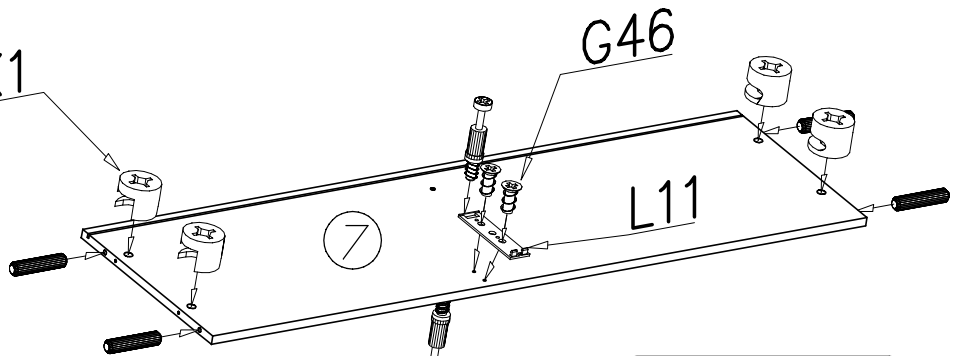


K1



B1

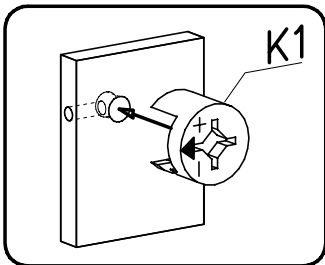
K1



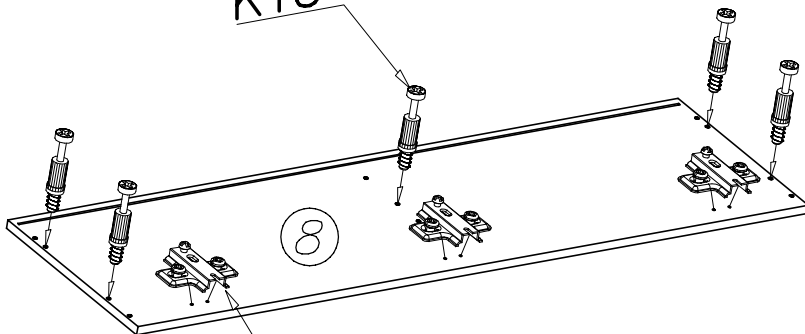
7

G46

L11

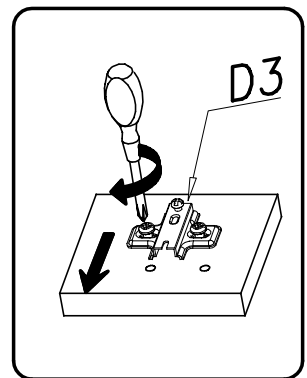


K15



8

D3



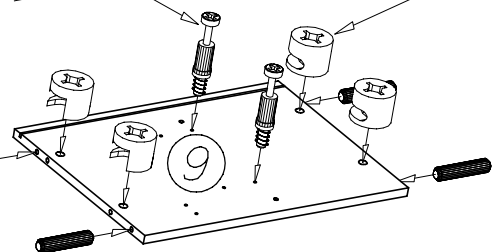
D3

K15

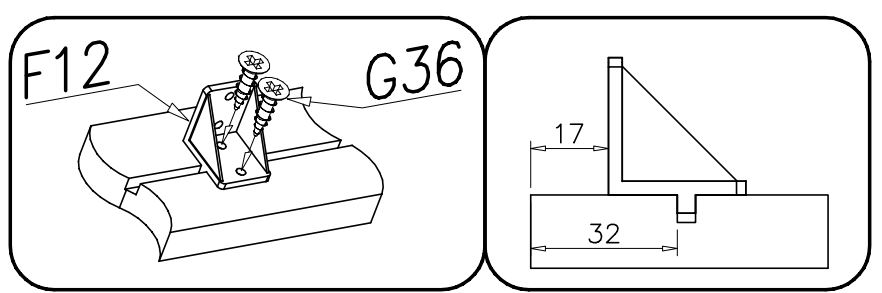
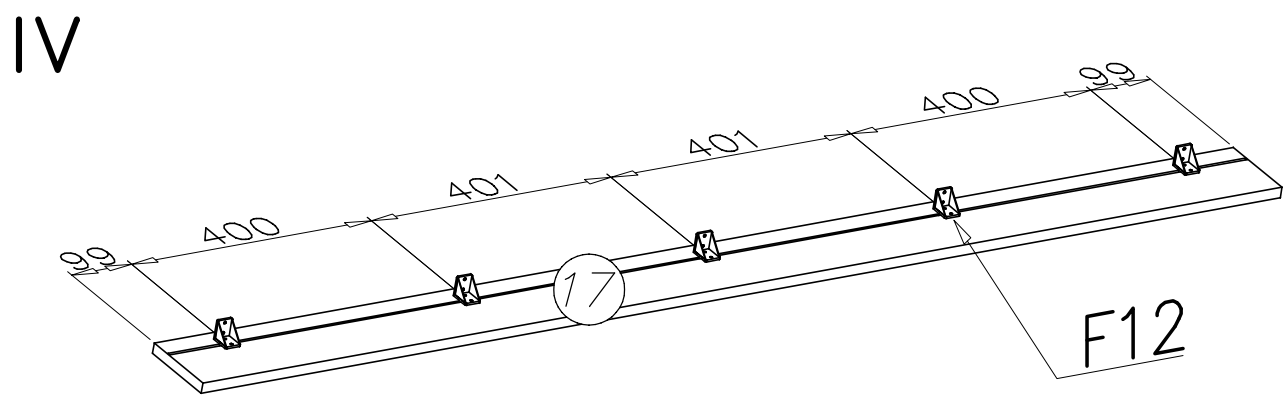
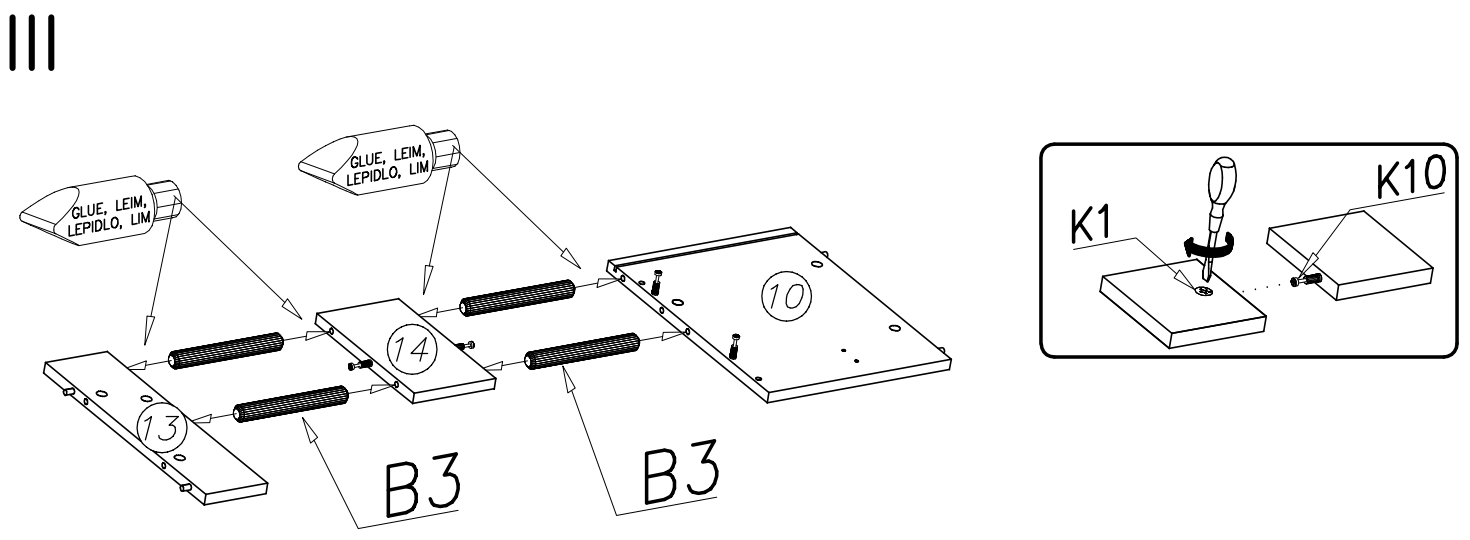
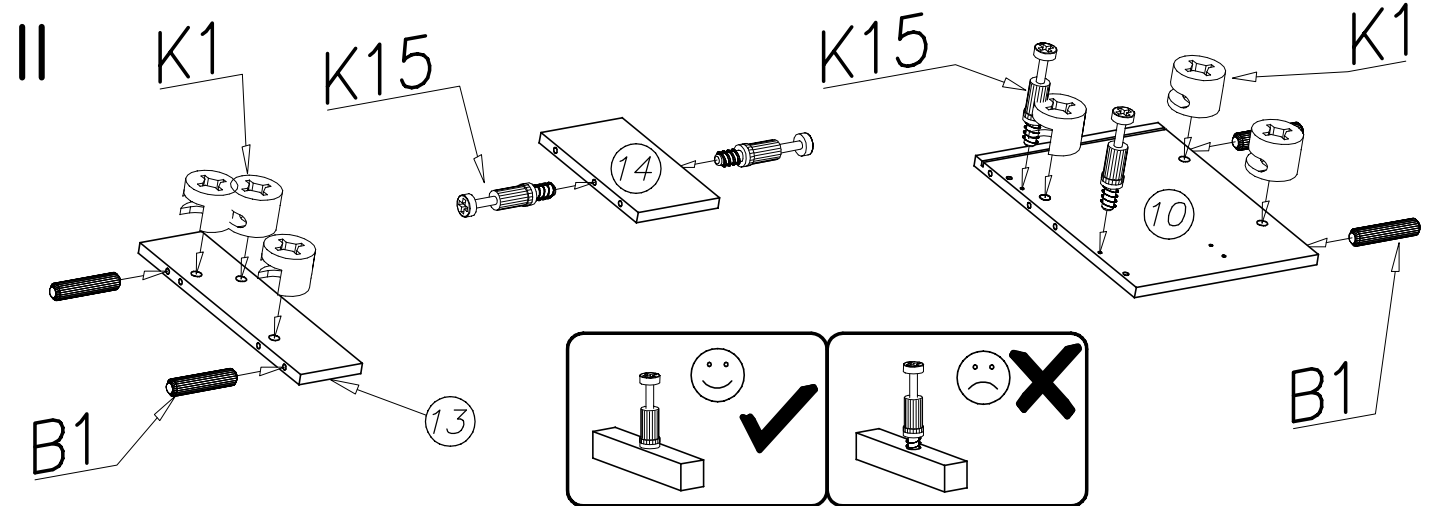
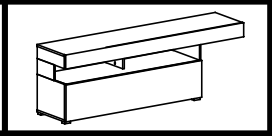
K15

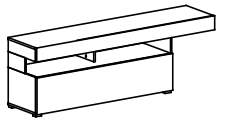
K1

B1

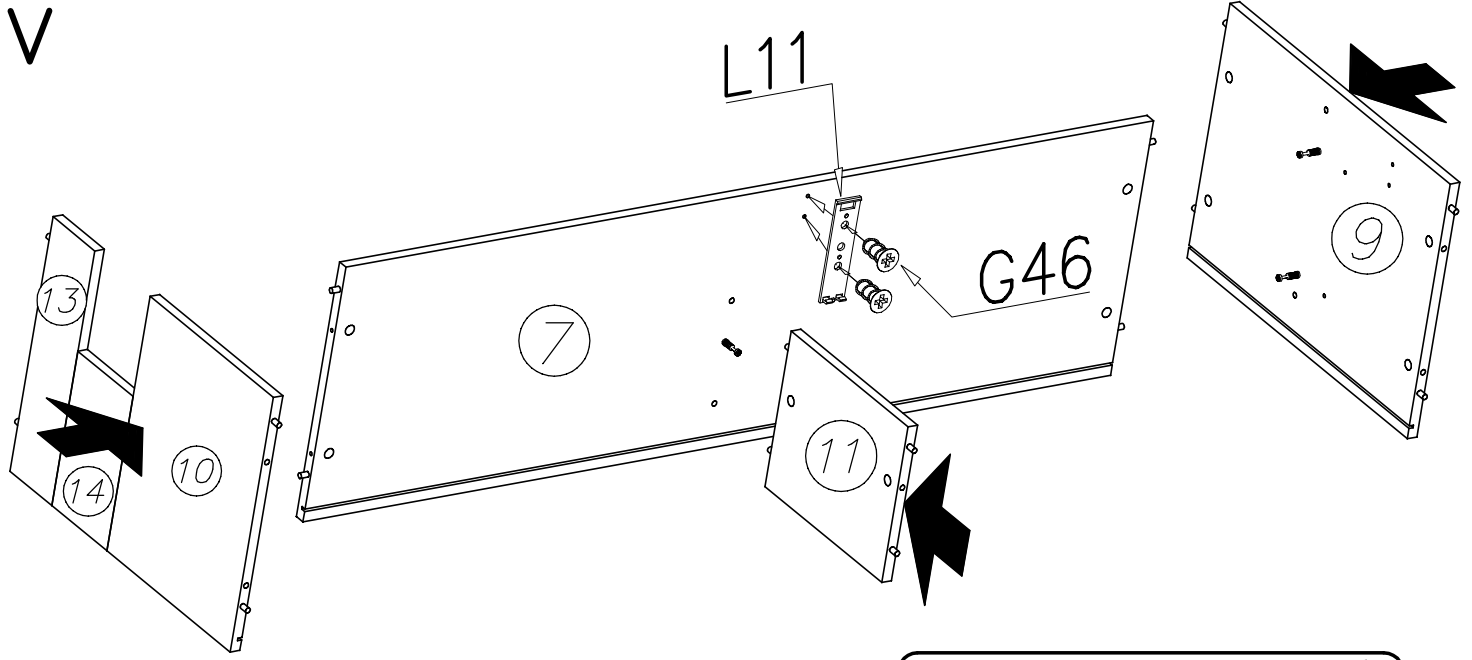


9

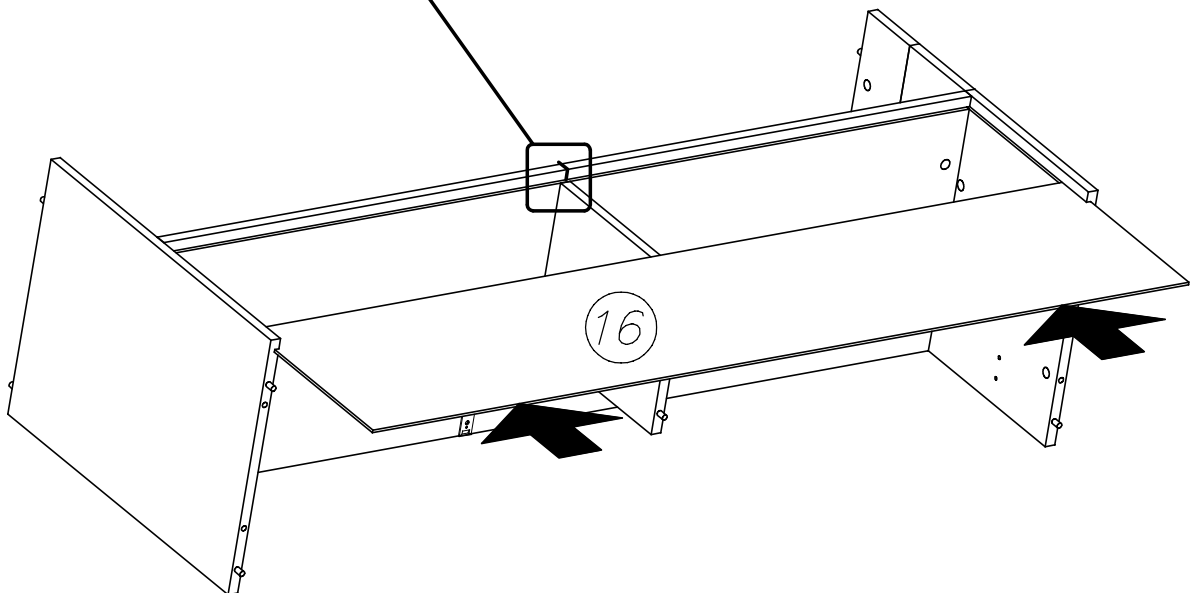
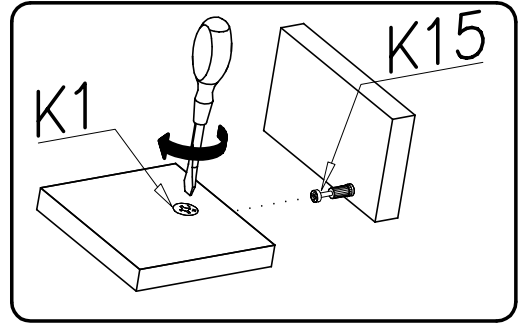
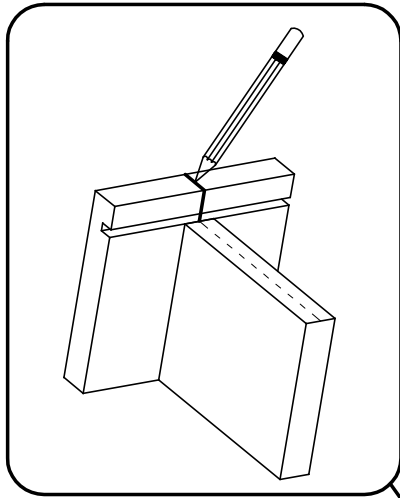


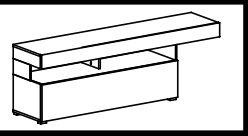


V

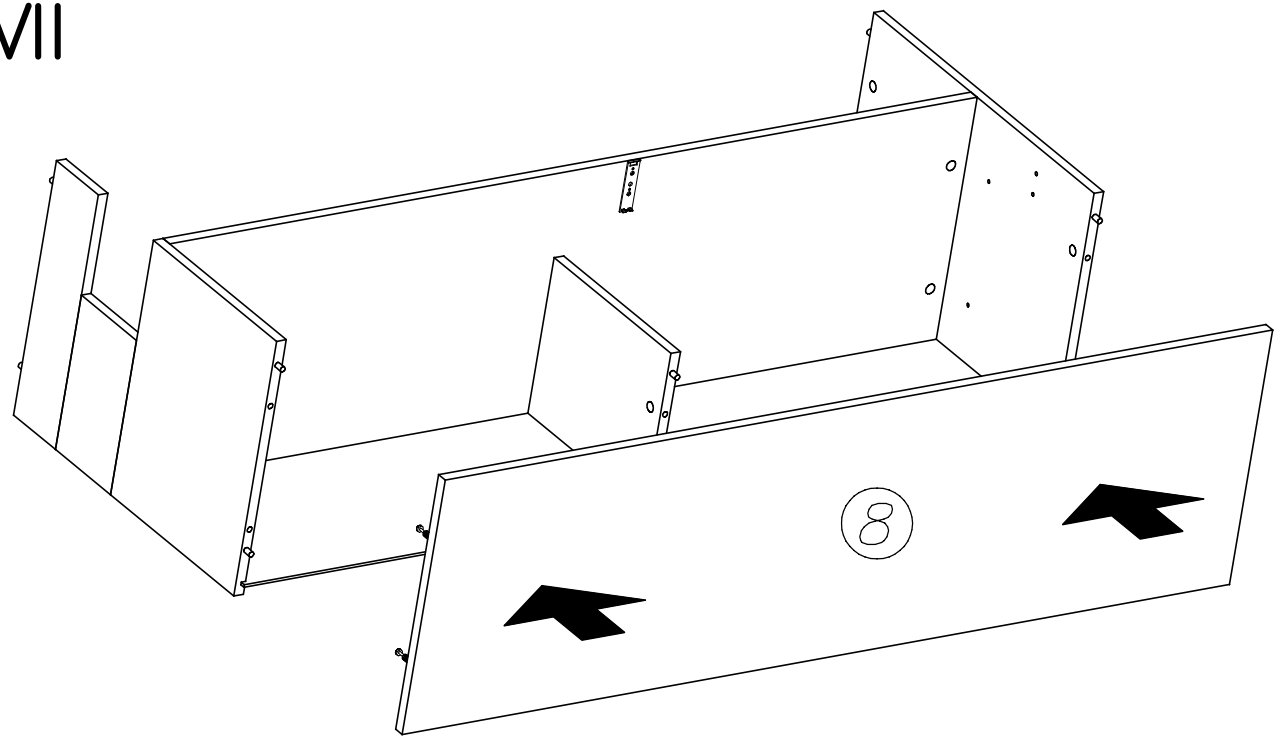


VI

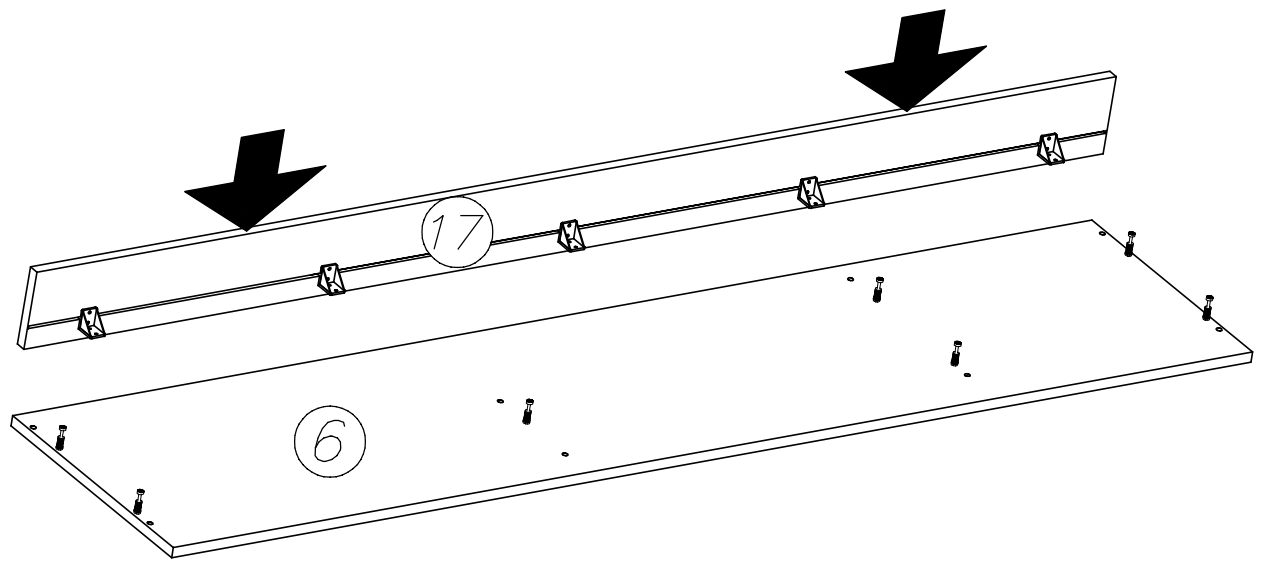
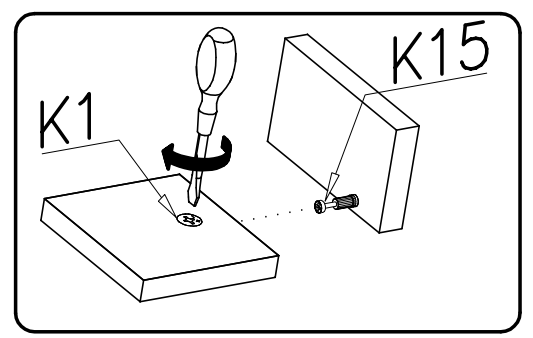
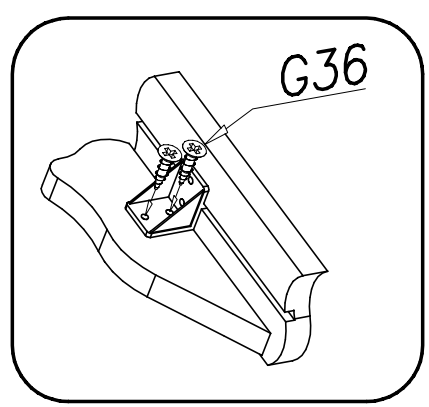


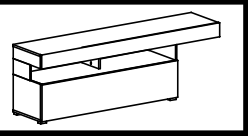


VII

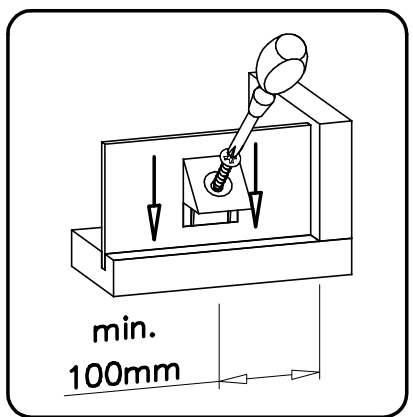
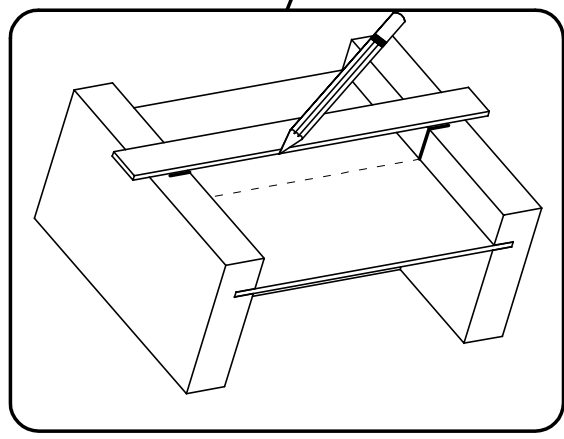
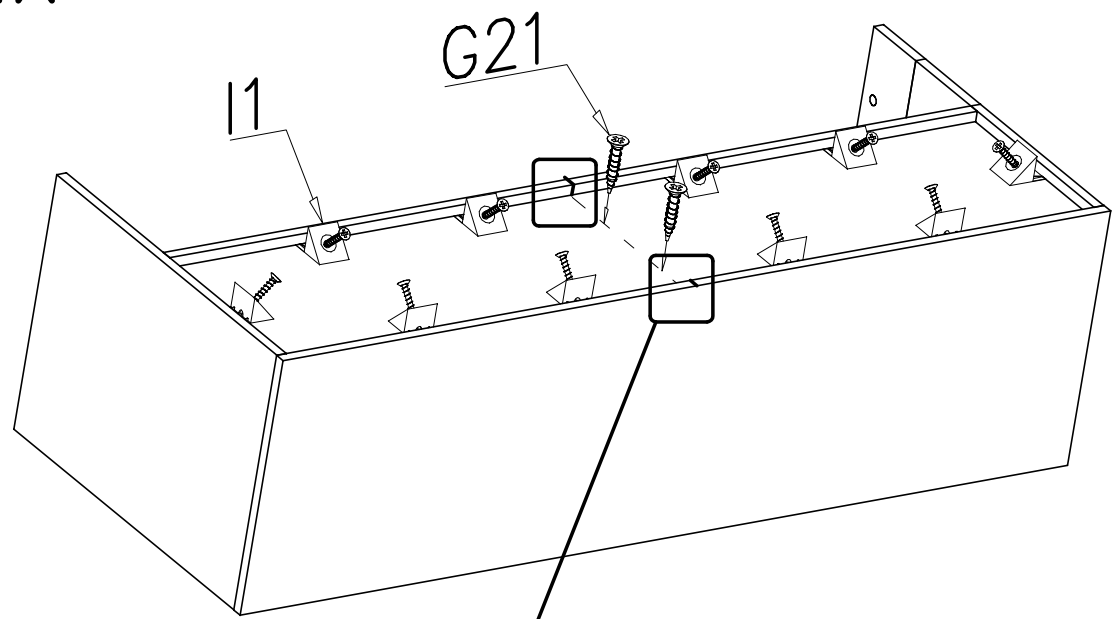


VIII

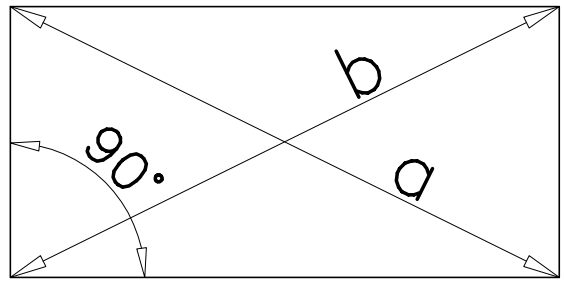


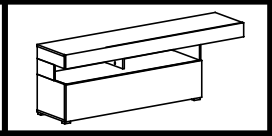


IX

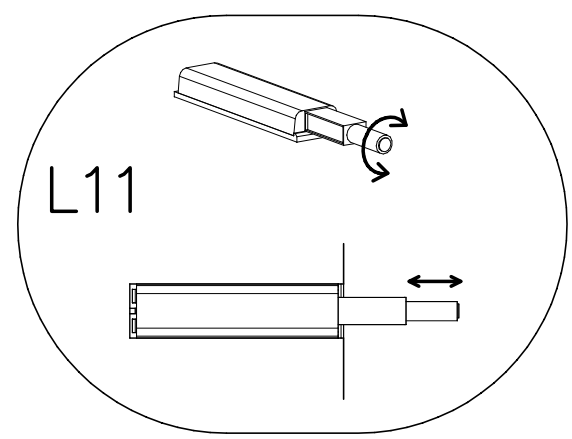
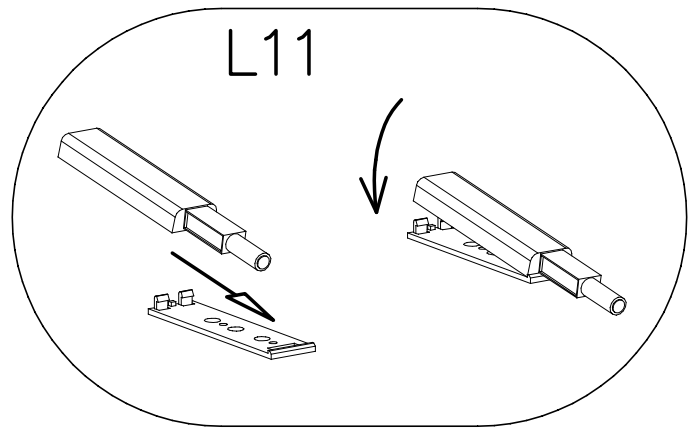
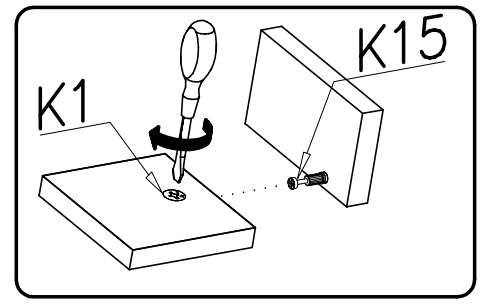
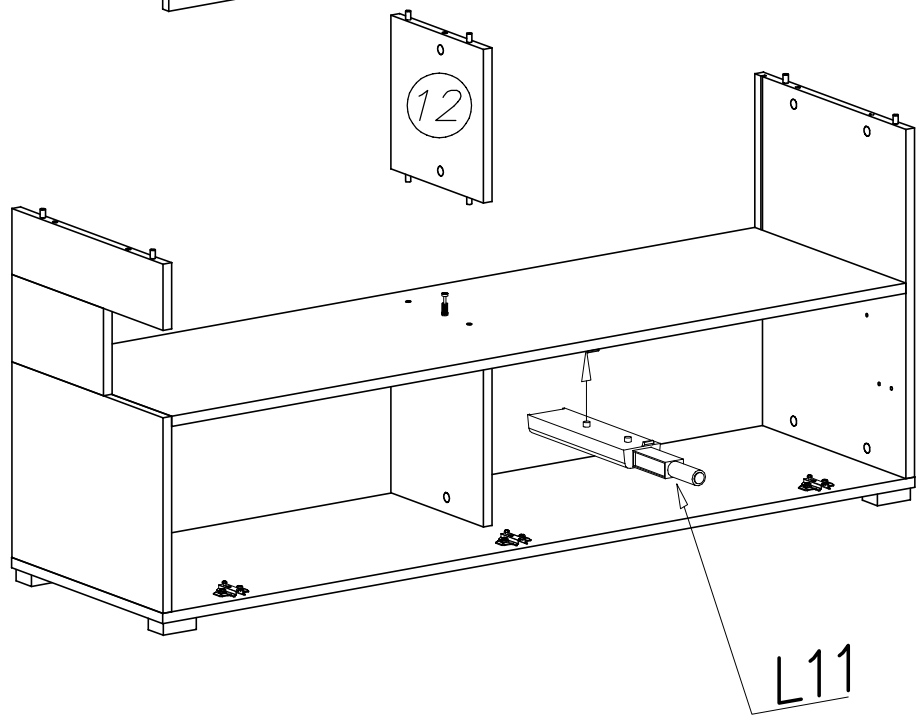
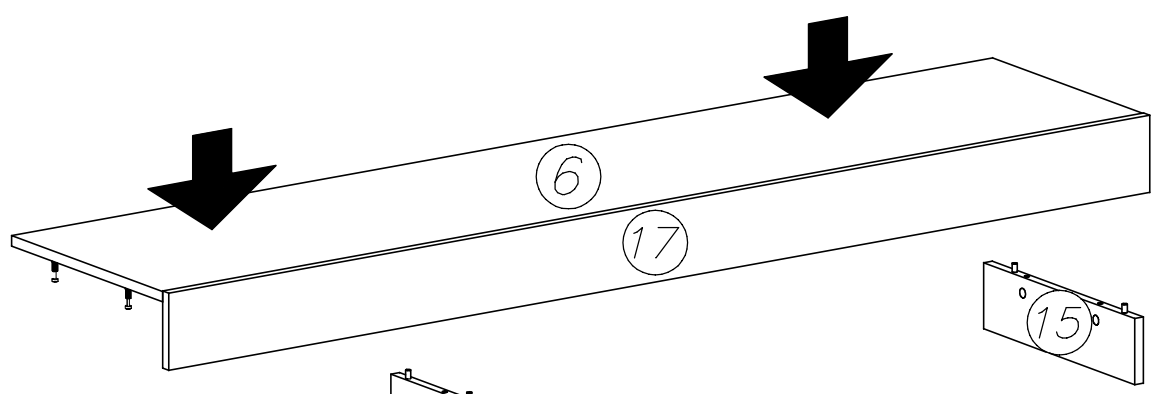


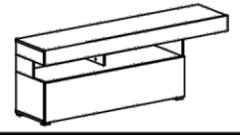
$$a = b$$



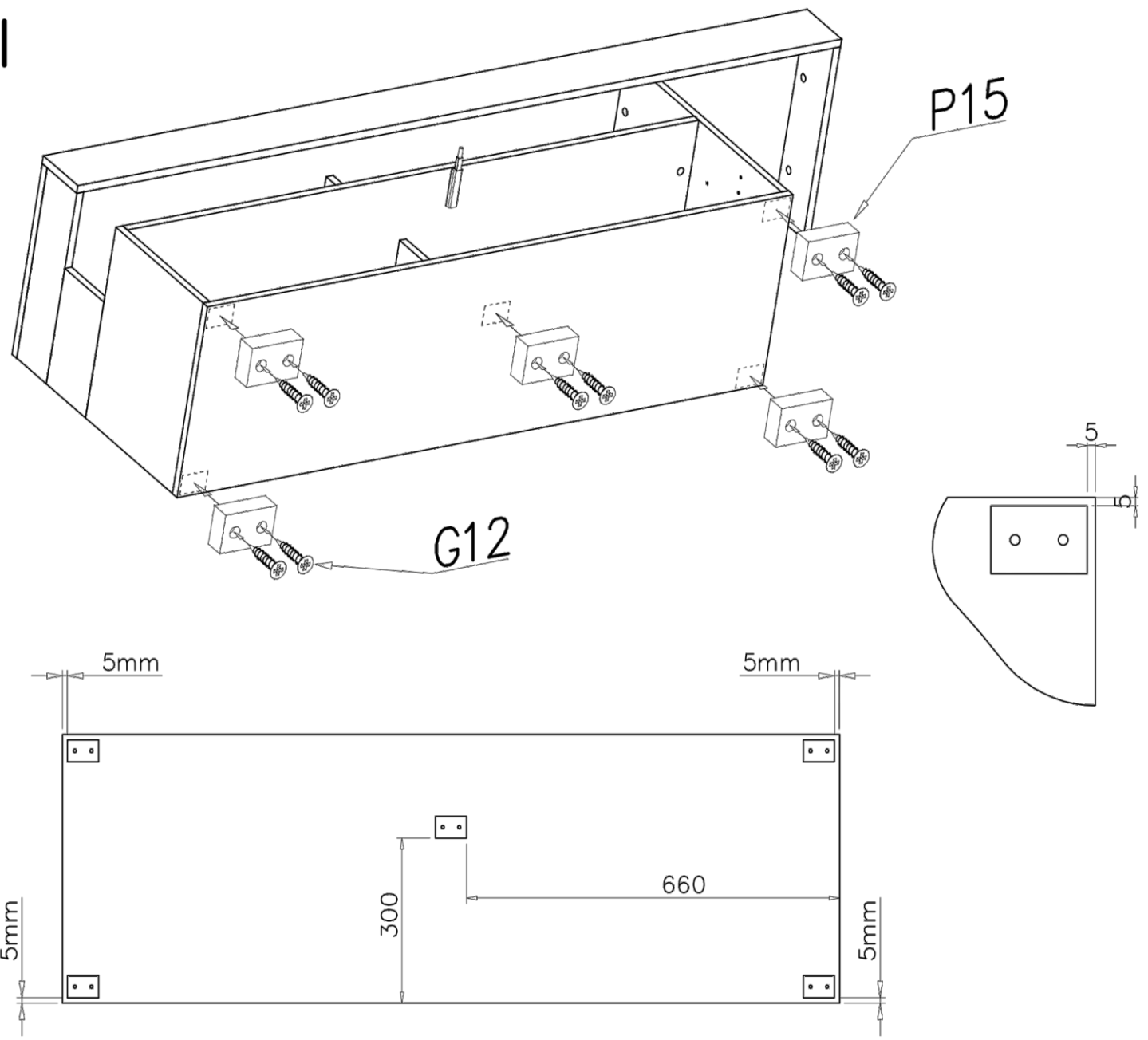


X

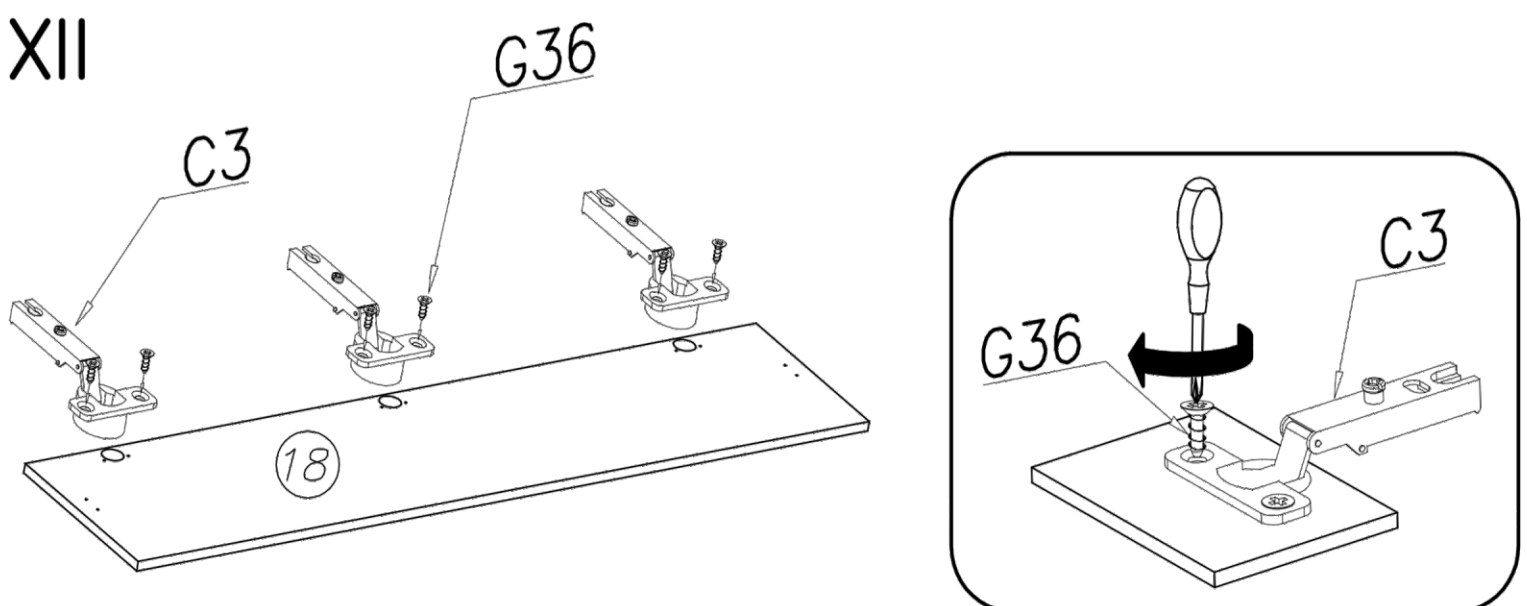


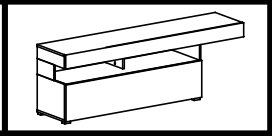


XI

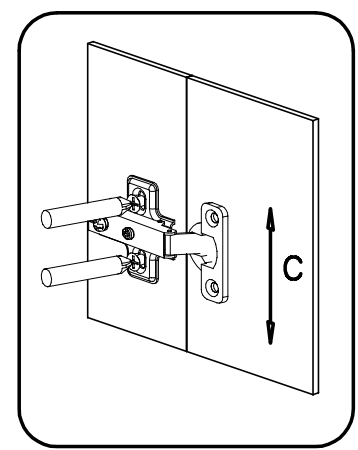
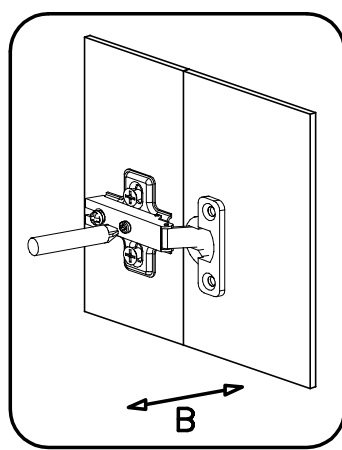
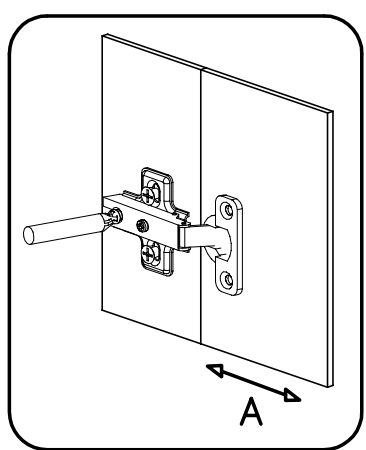
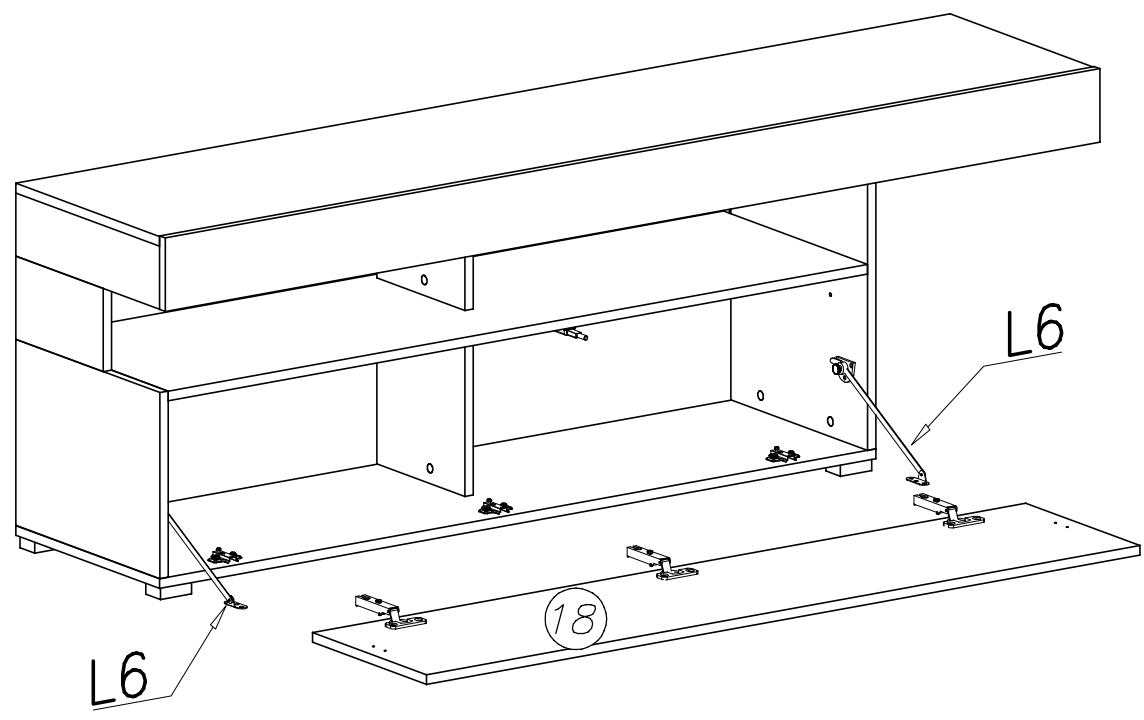
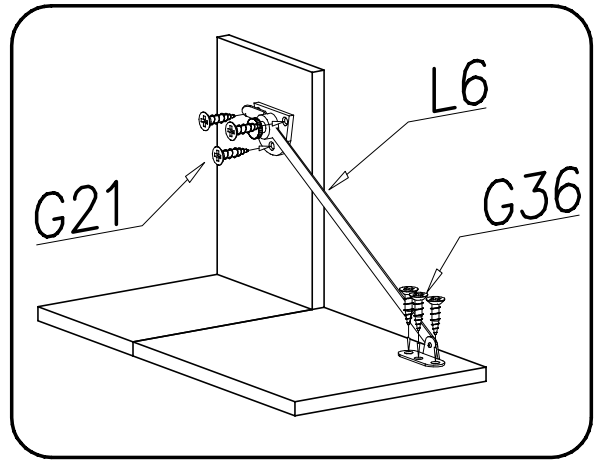
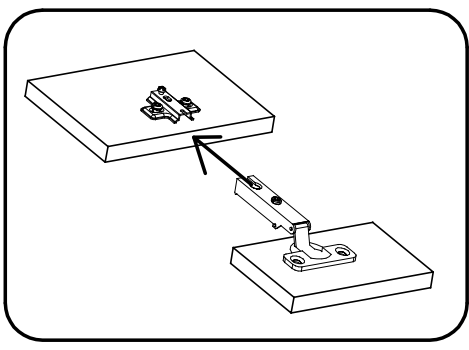


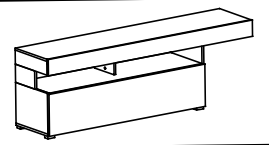
XII



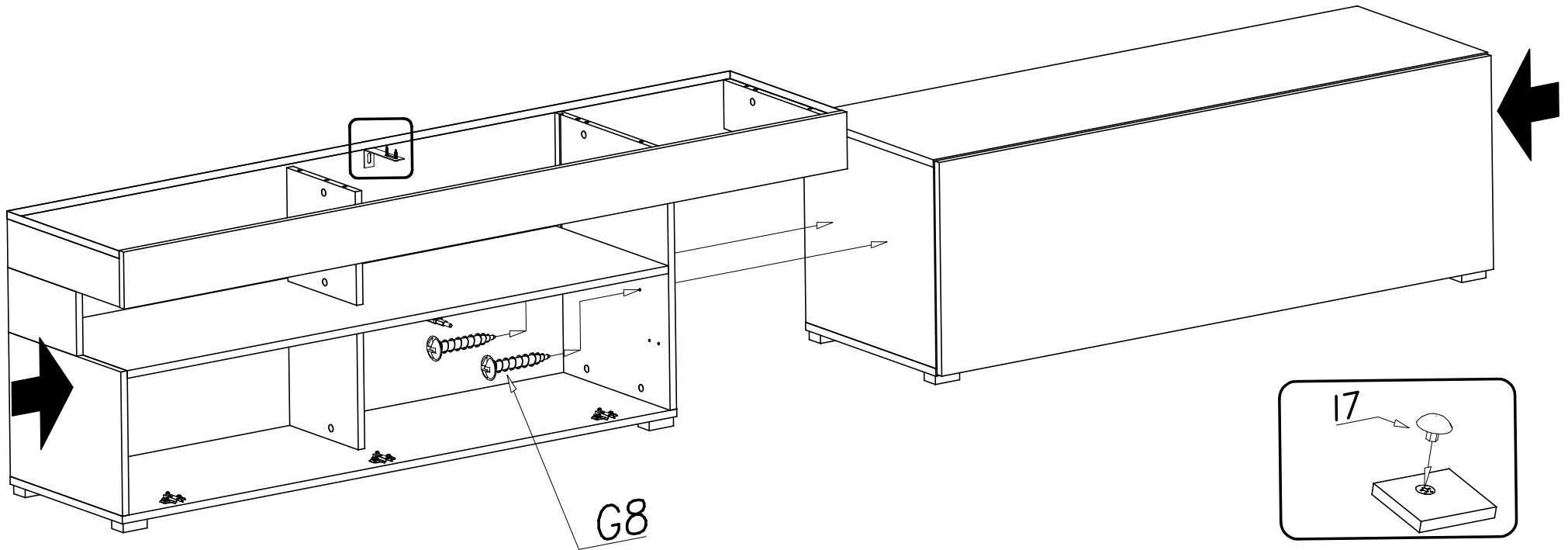
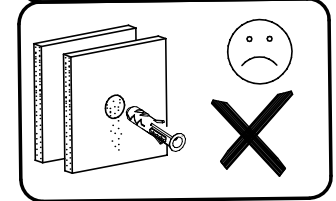
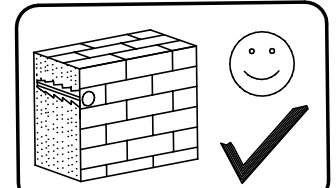
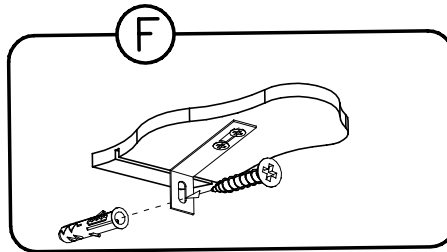
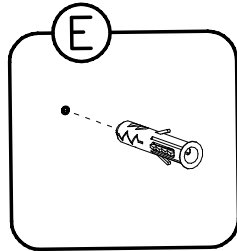
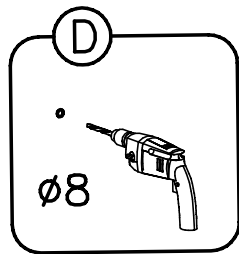
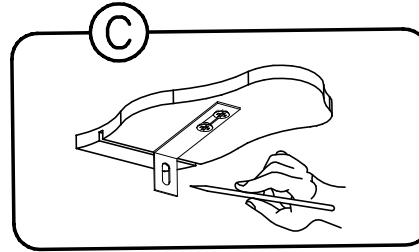
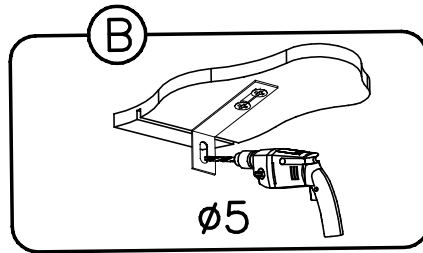
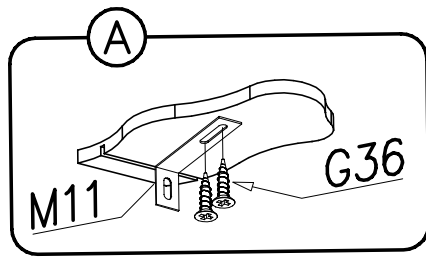


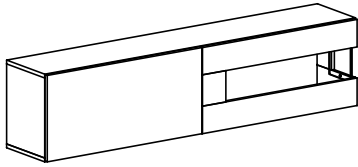
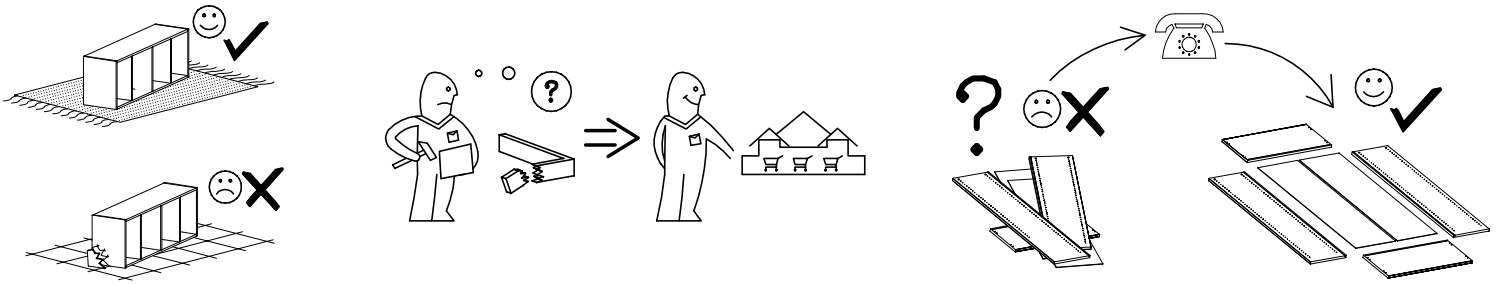
XIII





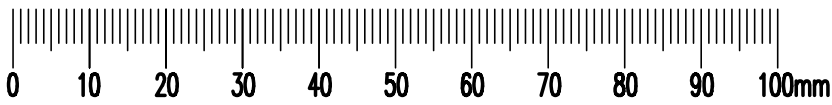
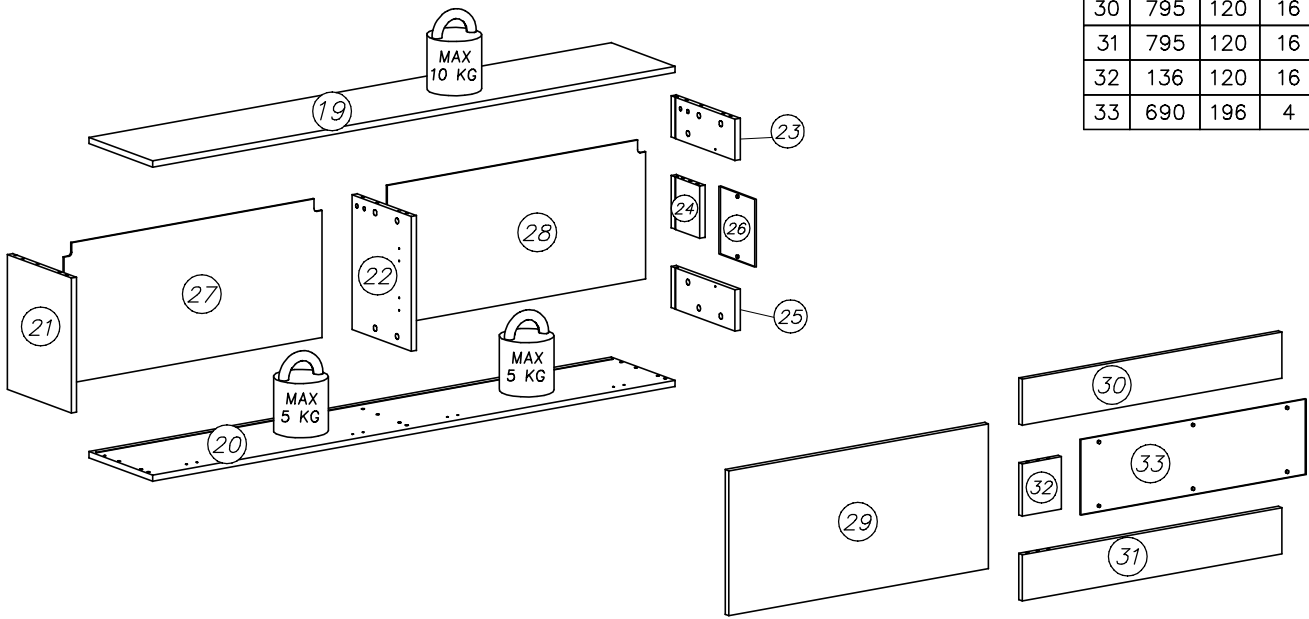
XIV



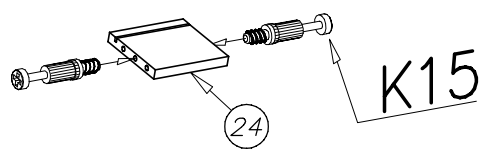
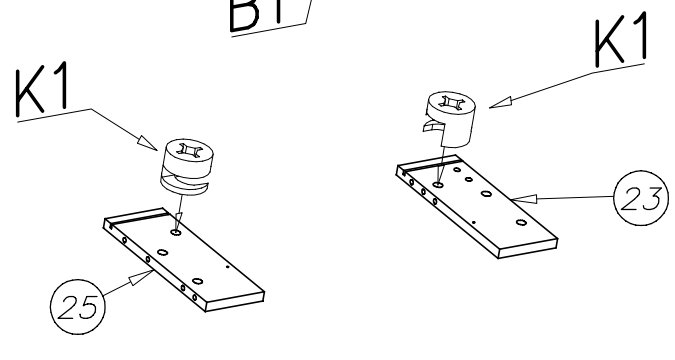
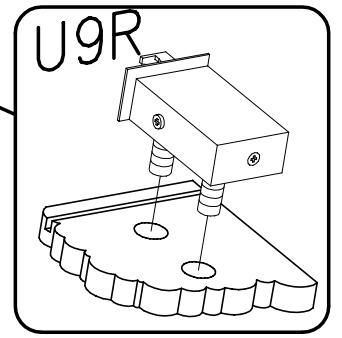
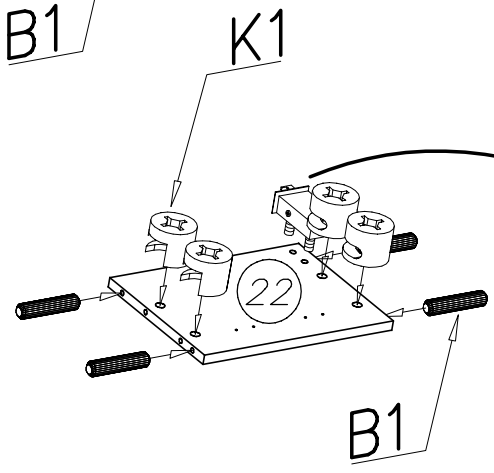
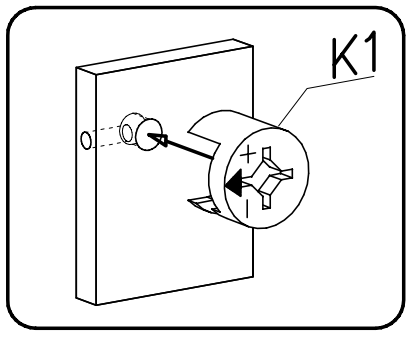
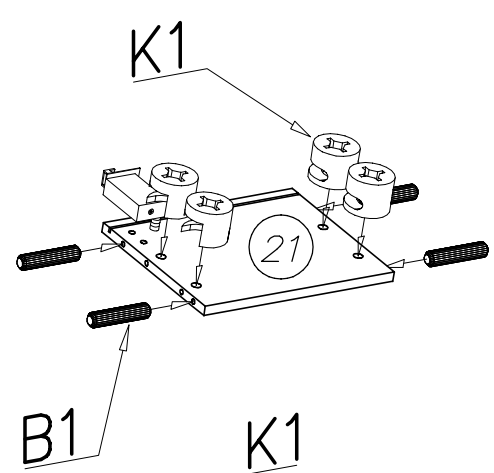
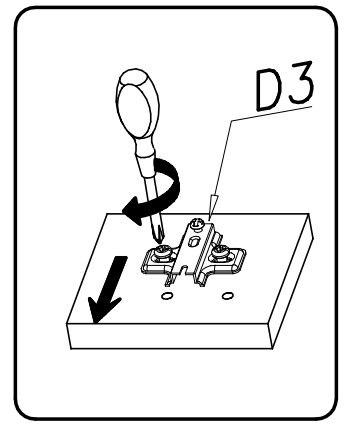
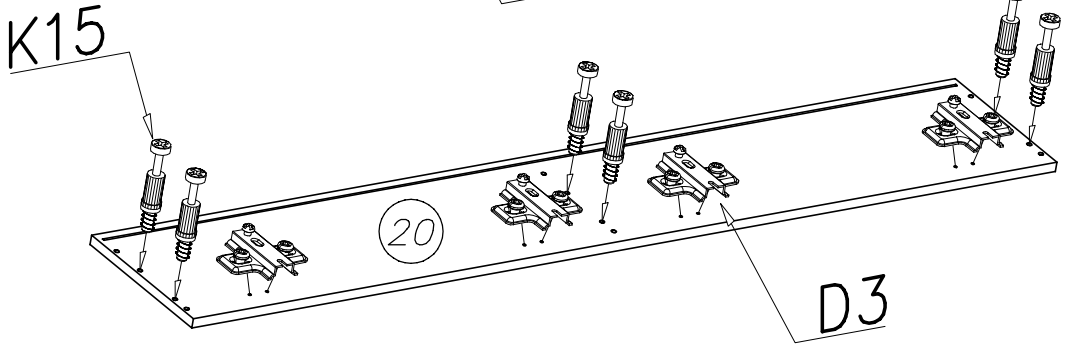
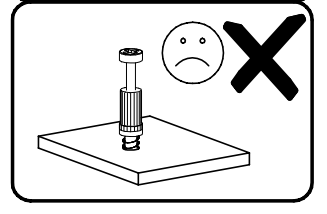
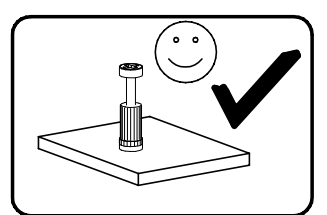
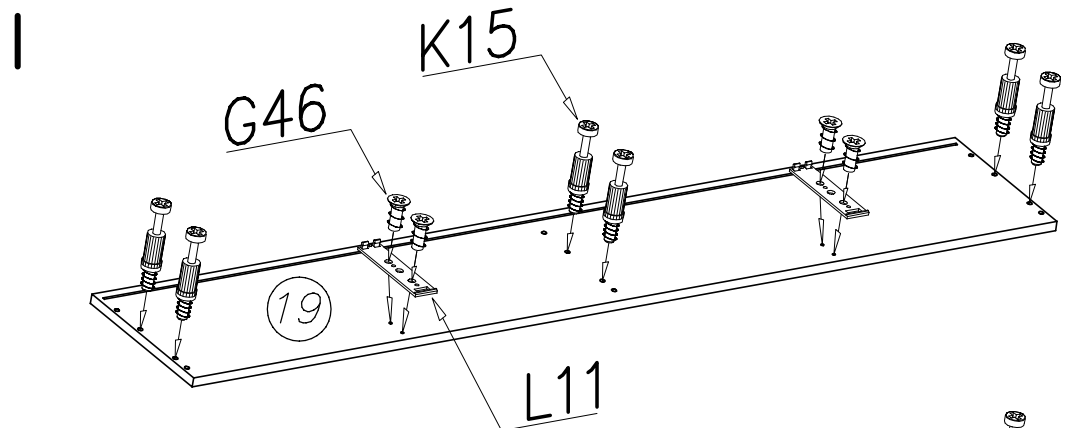
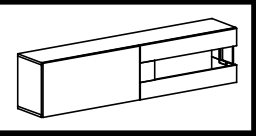


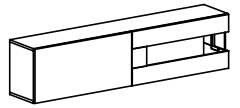
nr	L[mm]	B[mm]	T[mm]	Menge	Colli
19	1600	278	16	1	4/4
20	1600	278	16	1	4/4
21	350	278	16	1	4/4
22	350	258	16	1	4/4
23	107	278	16	1	4/4

nr	L[mm]	B[mm]	T[mm]	Menge	Colli
24	136	125	16	1	4/4
25	107	278	16	1	4/4
26	160	176	4	1	4/4
27	788	362	3	1	4/4
28	788	362	3	1	4/4
29	795	376	16	1	4/4
30	795	120	16	1	4/4
31	795	120	16	1	4/4
32	136	120	16	1	4/4
33	690	196	4	1	2/4

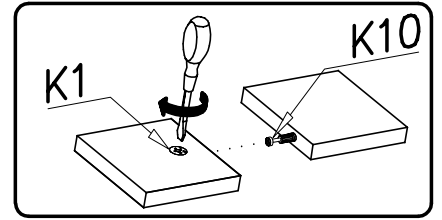
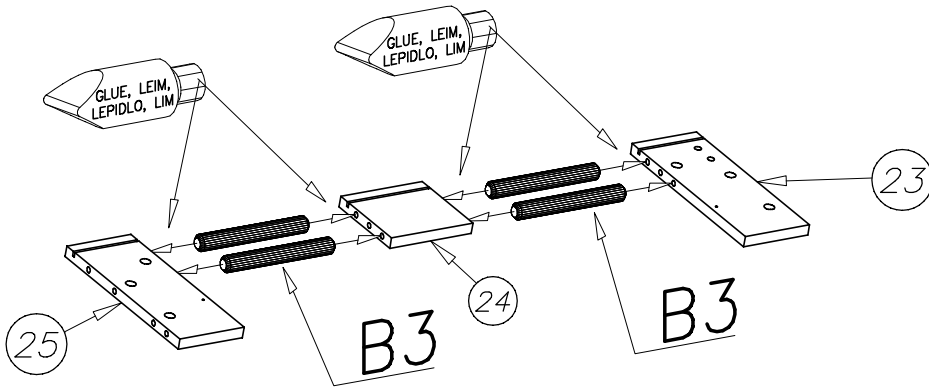


L8 80N x...(2)	L11 x...(2)	B3 ø8x50 x...(8)	W1 GLUE, LEIM, LEPIDLO, LIM x...(1)	G32 3,5x16 x...(8)
G21 3x16 x...(3)	G46 6x8 x...(4)	S2 x...(3)	U7 x...(3)	U8 ø10x60 x...(3)
G21 3x16 x...(3)	G36 3,5x13 x...(8)	U10L x...(1)	U10R x...(2)	U9L x...(1)
K1 ø15x12 x...(16)	I3 x...(8)	G22 3,5x16 x...(8)	I1 x...(10)	U9R x...(2)
K15 x...(16)	B1 ø8x35 x...(12)	C3 Z35PR x...(4)	D3 PZ35PR x...(4)	I7 x...(16)

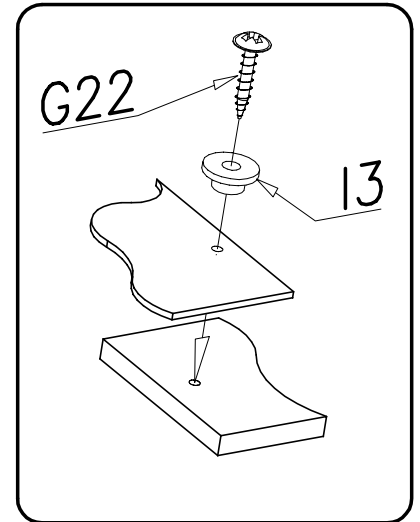
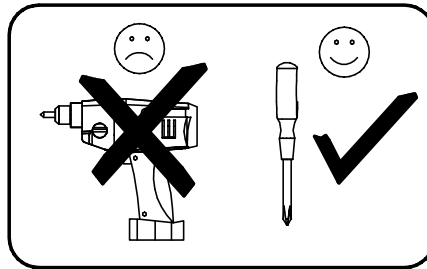
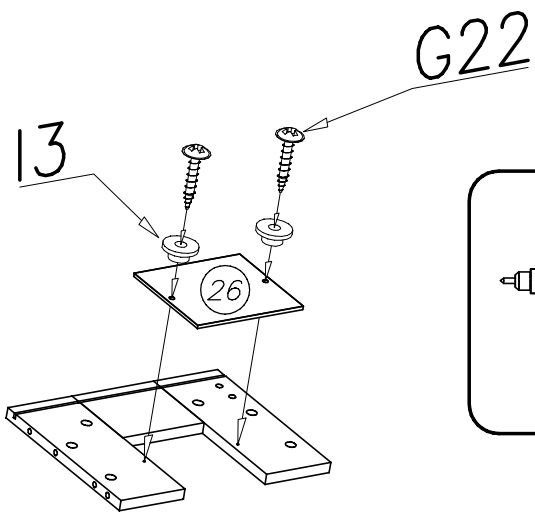




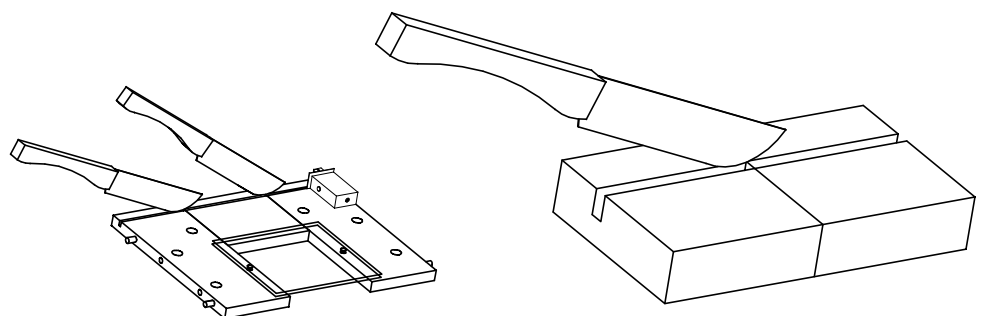
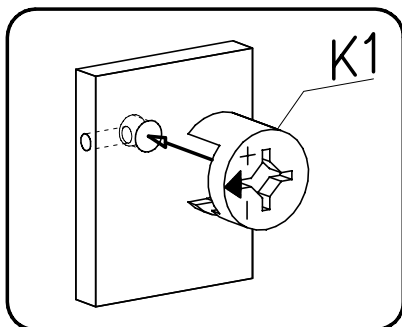
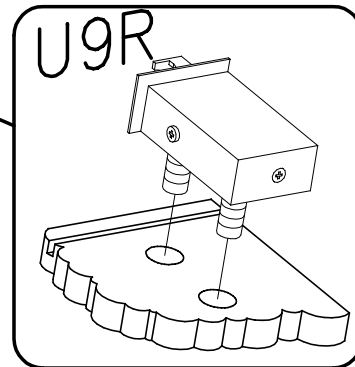
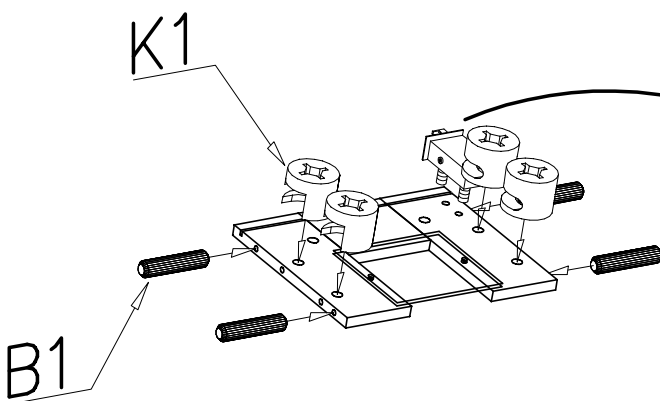
II

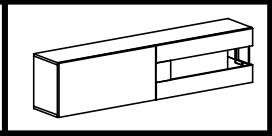


III

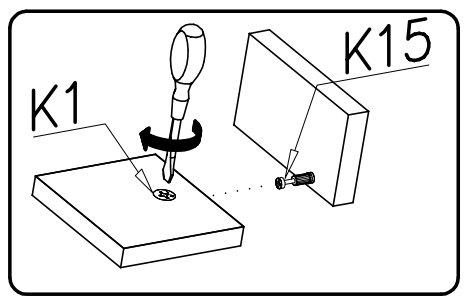
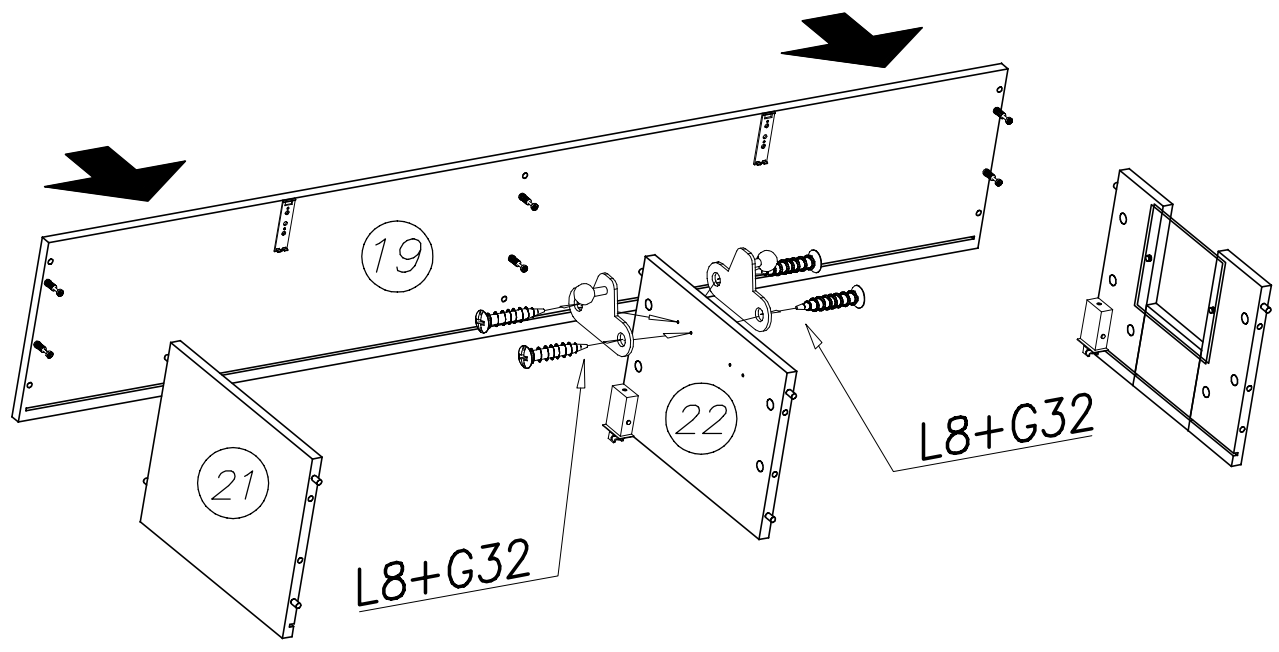


IV

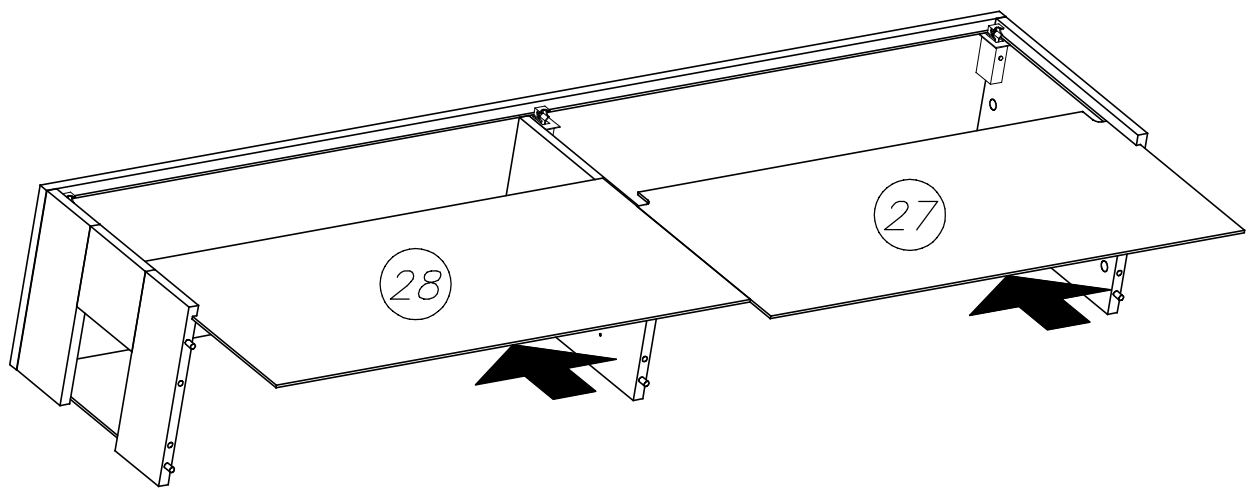


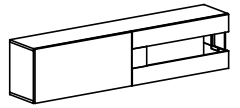


V

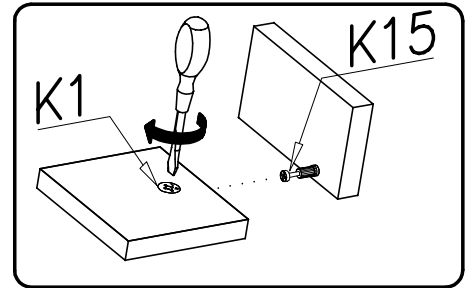
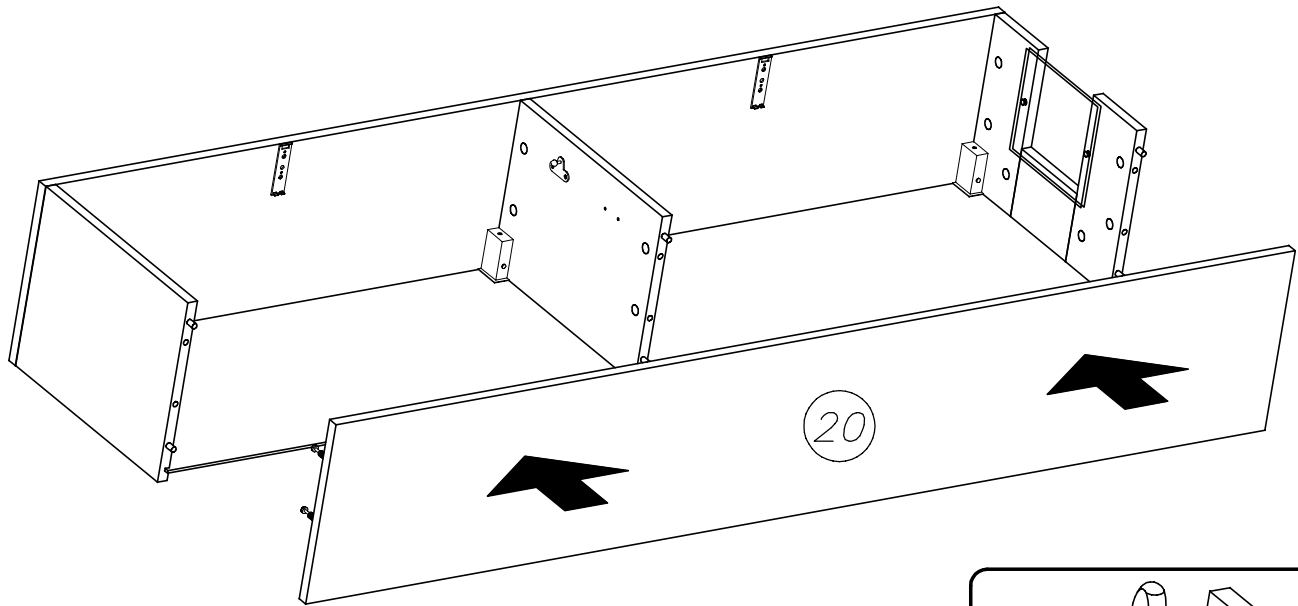


VI

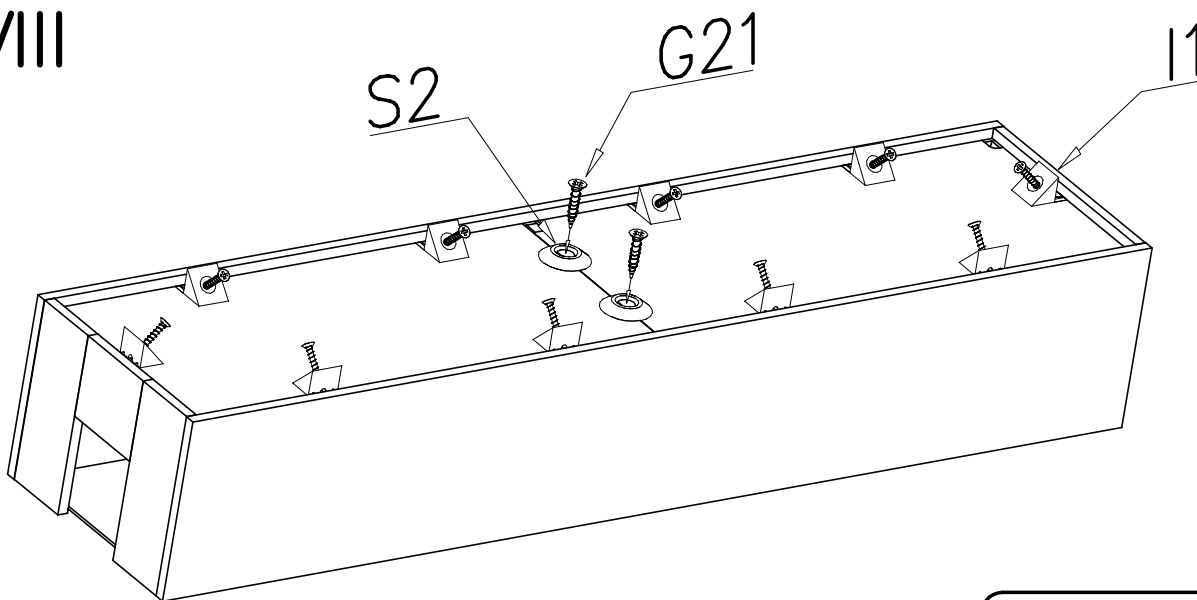




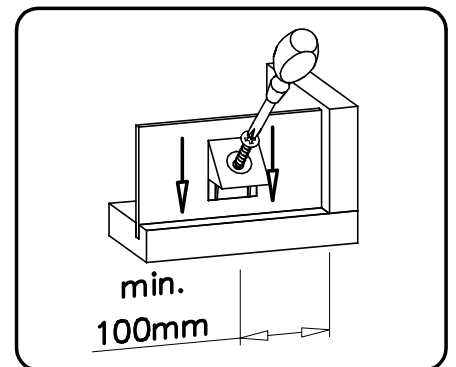
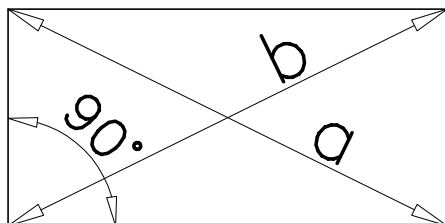
VII

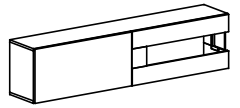


VIII

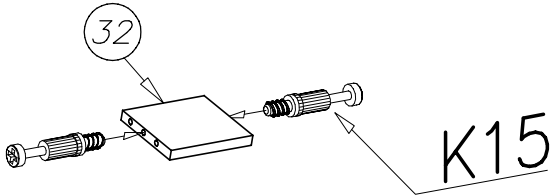
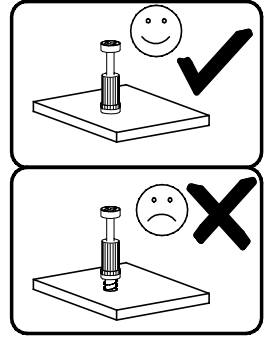
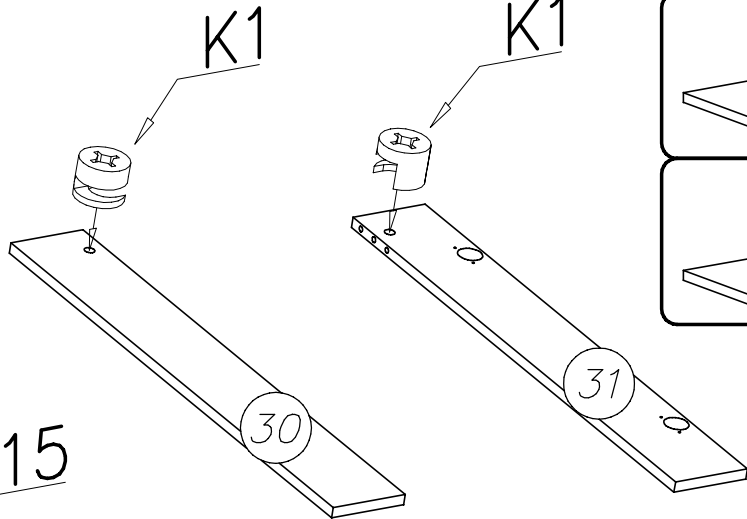
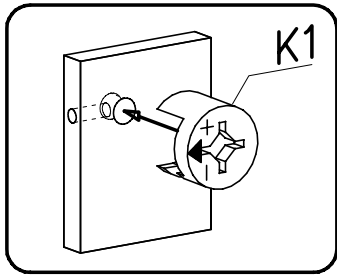


$a = b$

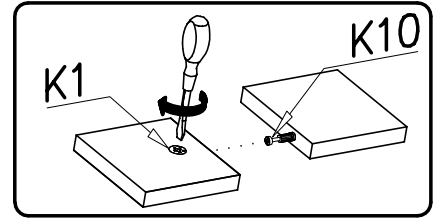
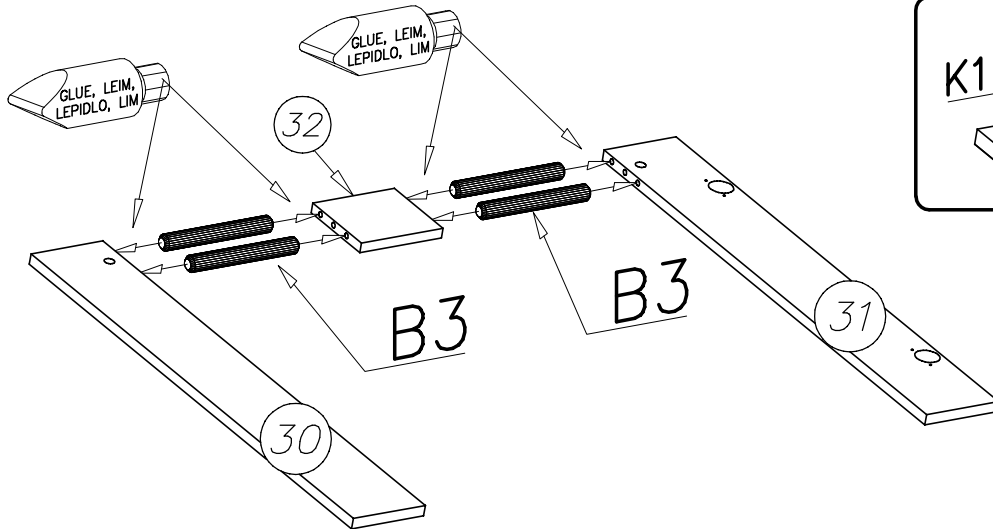




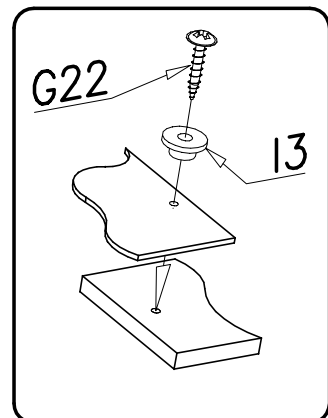
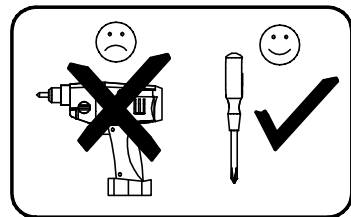
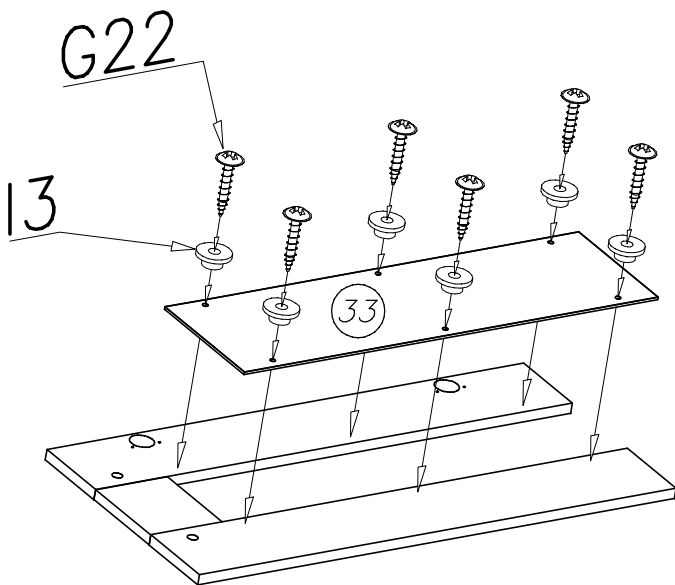
IX

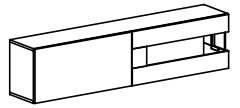


X

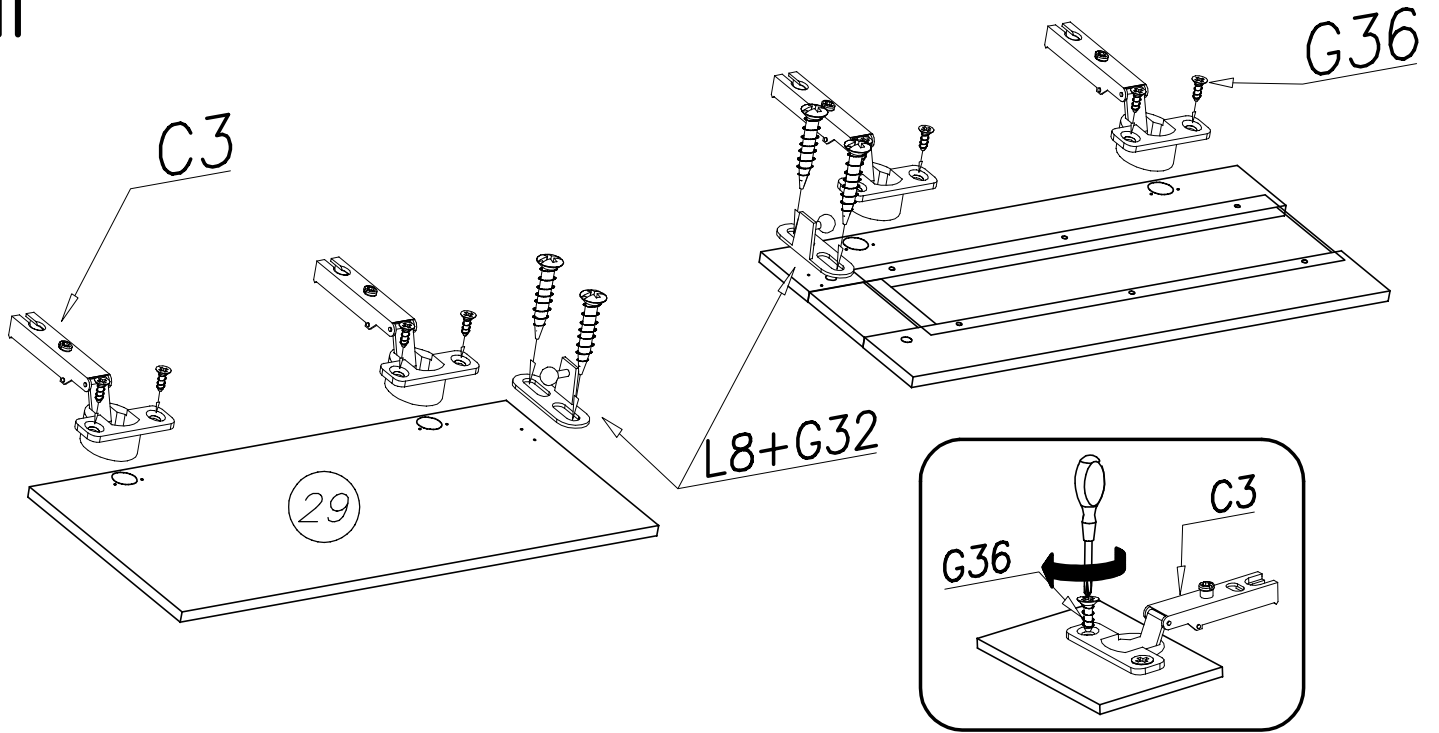


XI

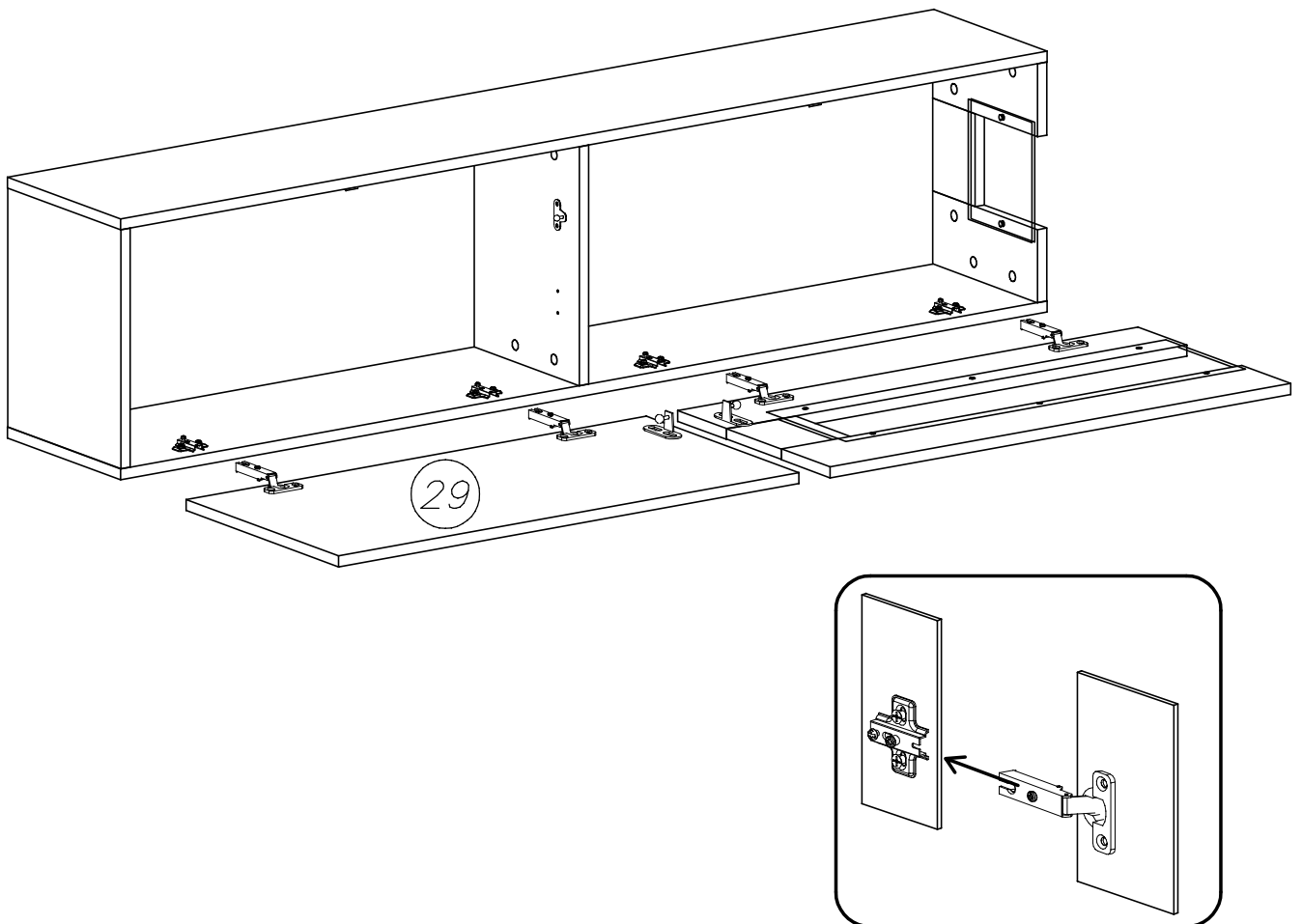


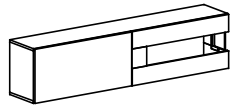


XII

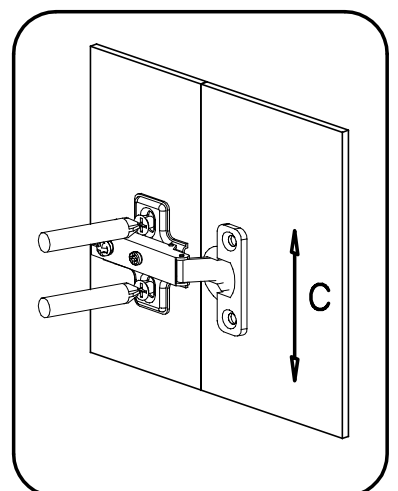
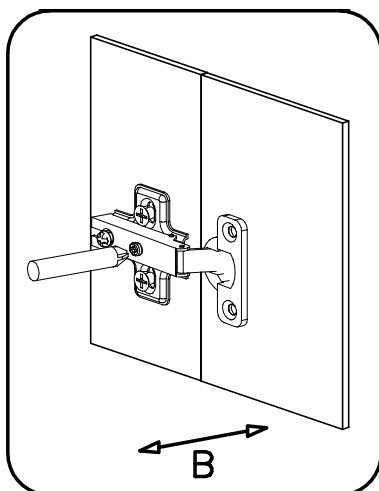
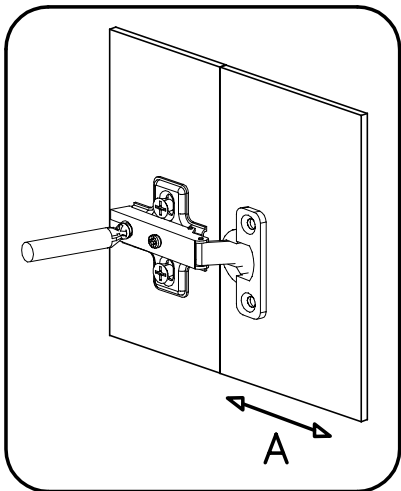
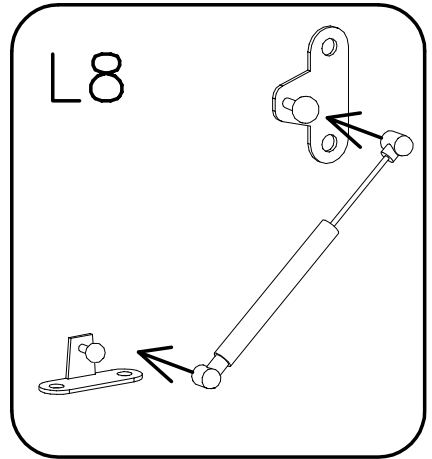
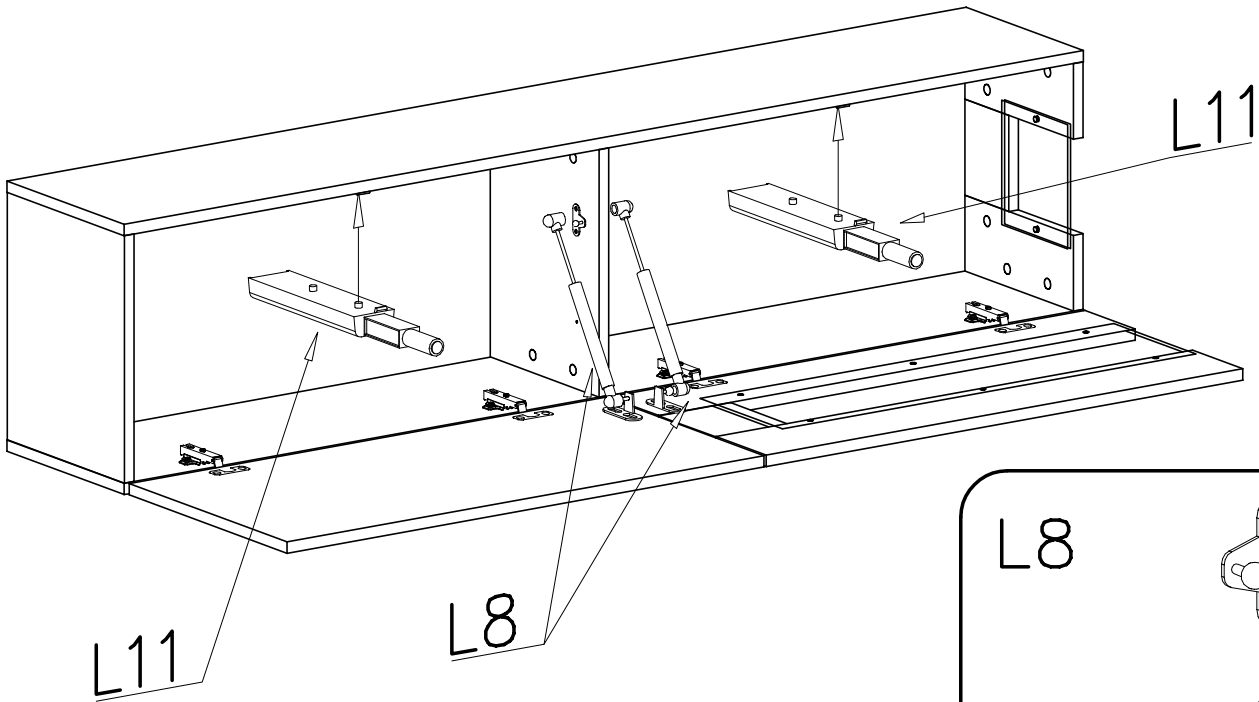
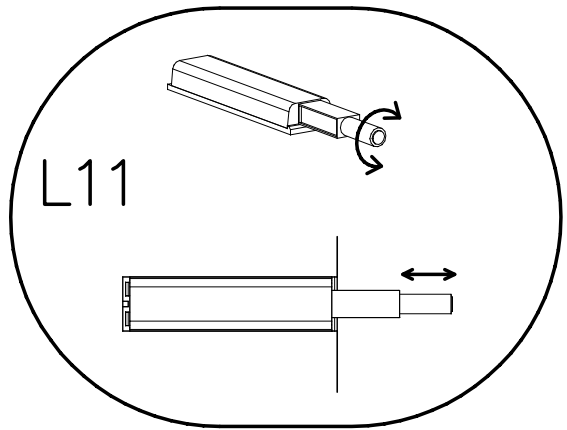
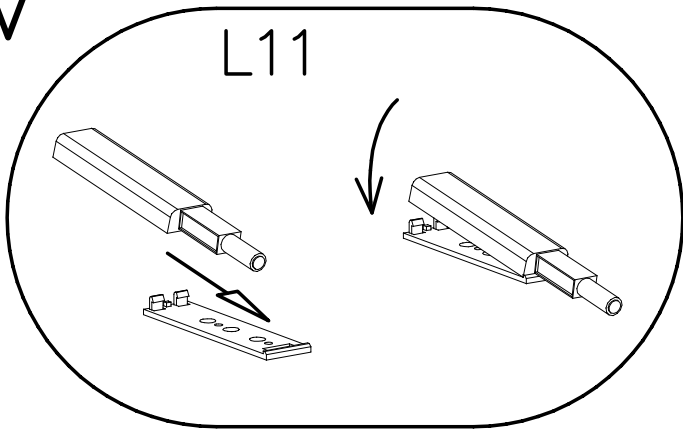


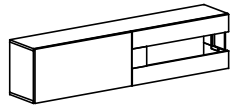
XIII



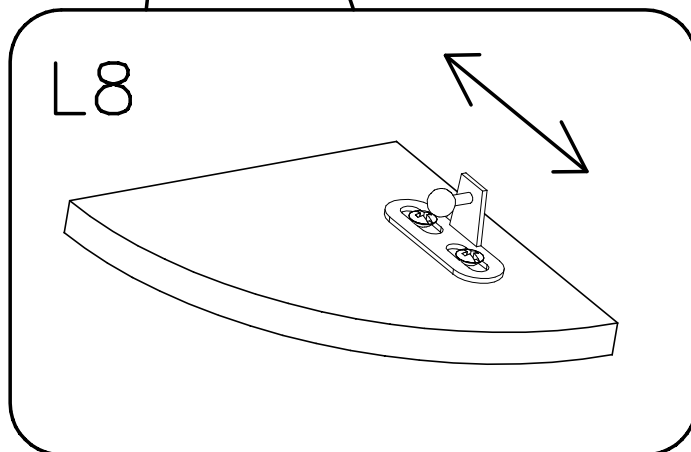
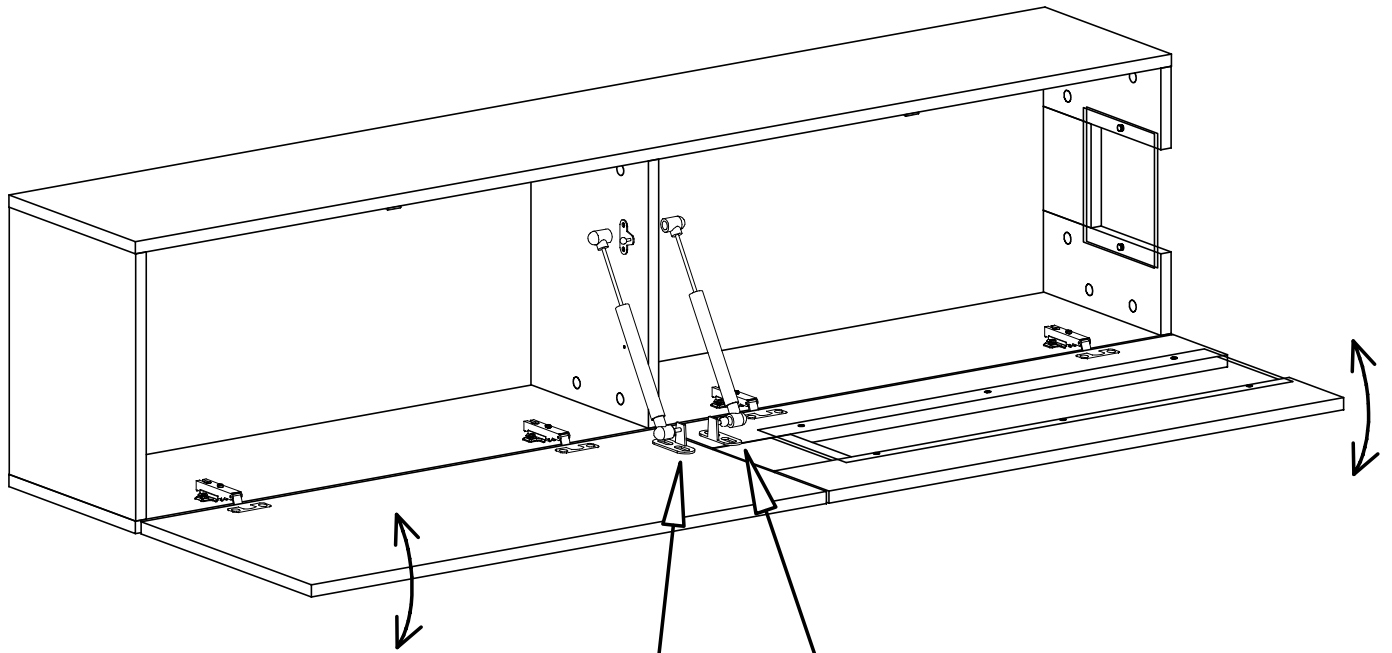


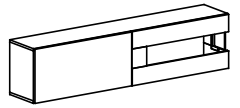
XIV



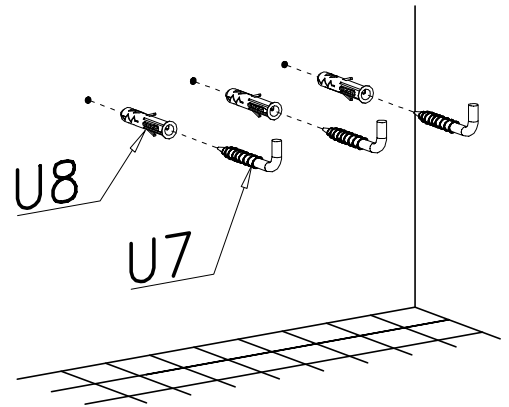
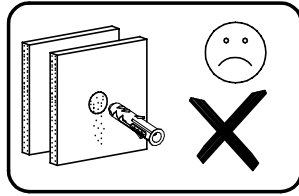
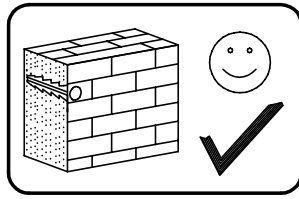
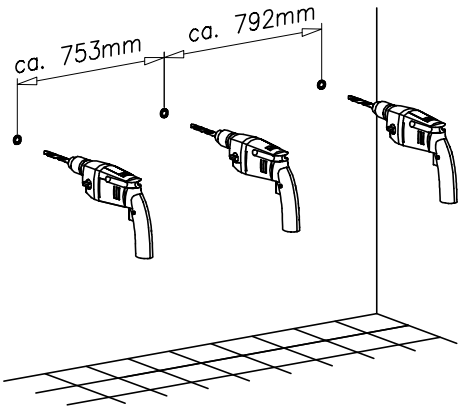


XV

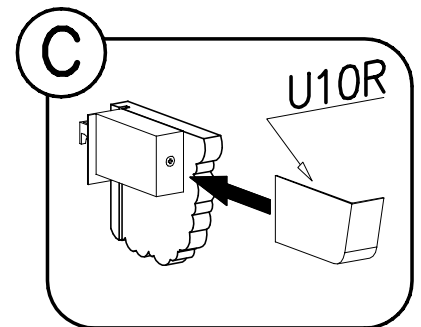
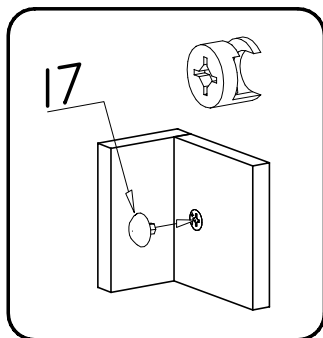
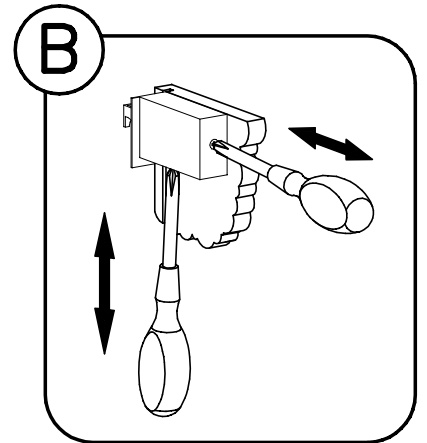
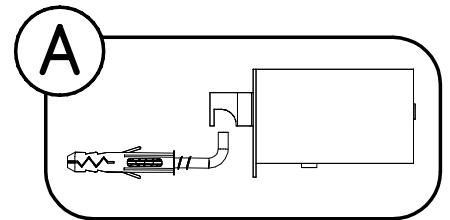
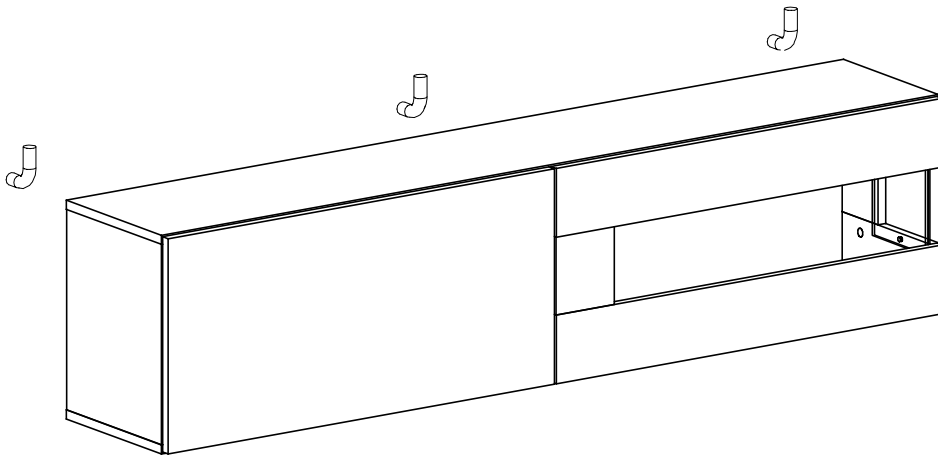


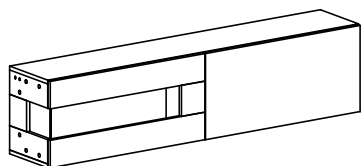
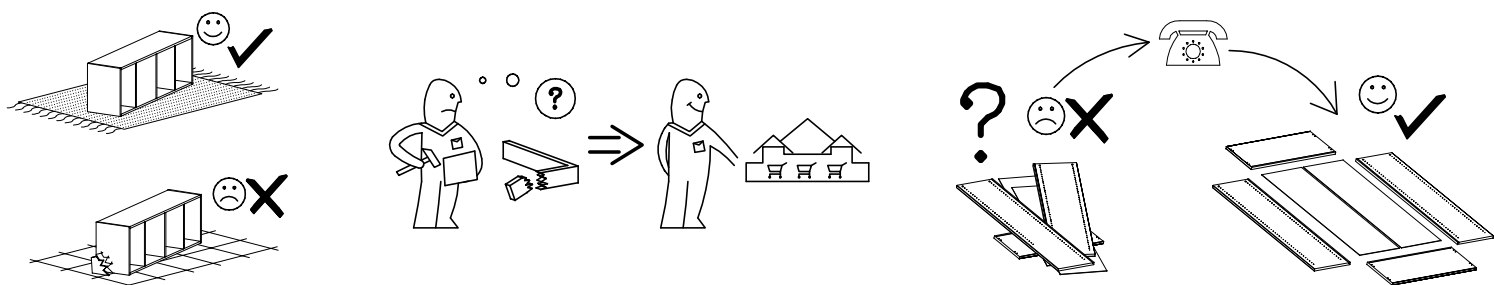


XVI



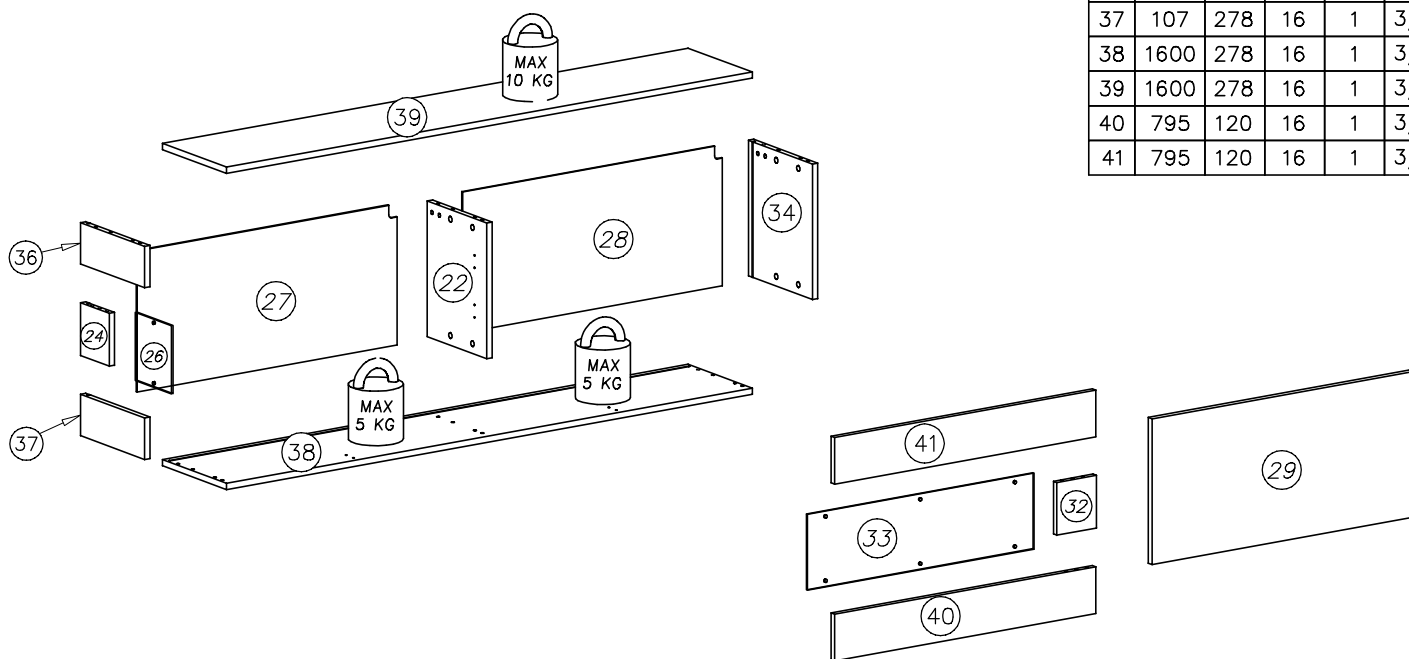
XVII



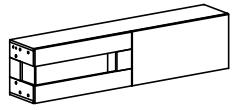


nr	L[mm]	B[mm]	T[mm]	Menge	Colli
22	350	258	16	1	3/4
24	136	125	16	1	3/4
26	160	176	4	1	3/4
27	788	362	3	1	3/4

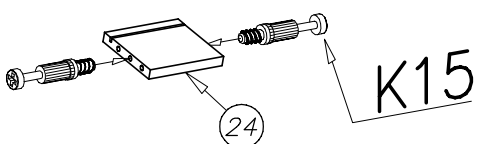
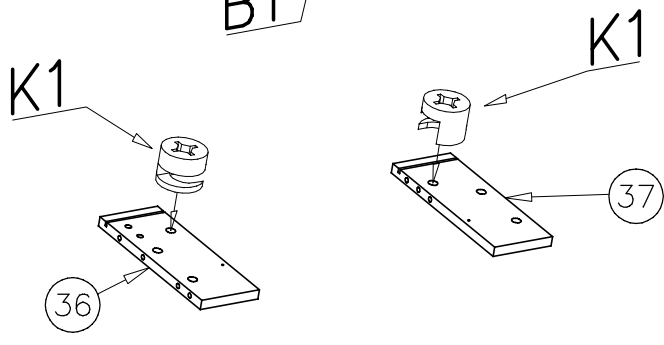
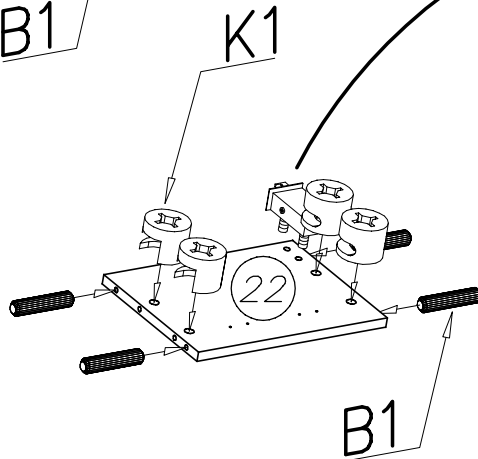
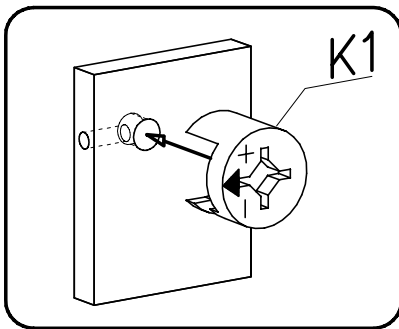
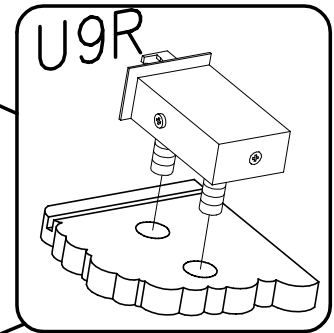
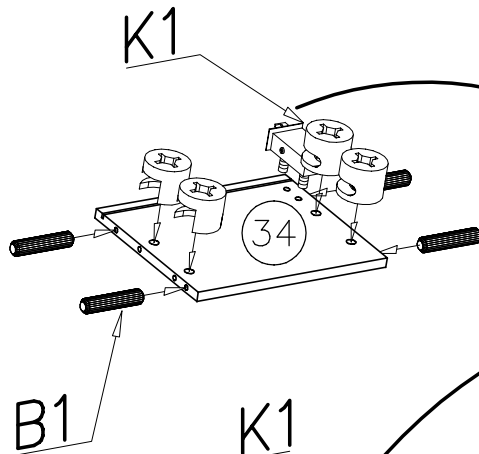
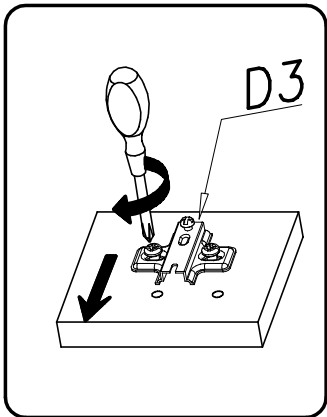
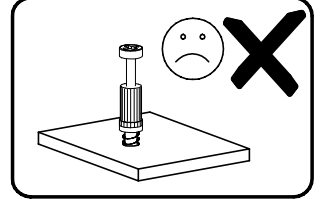
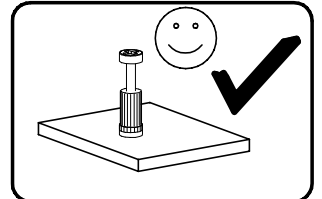
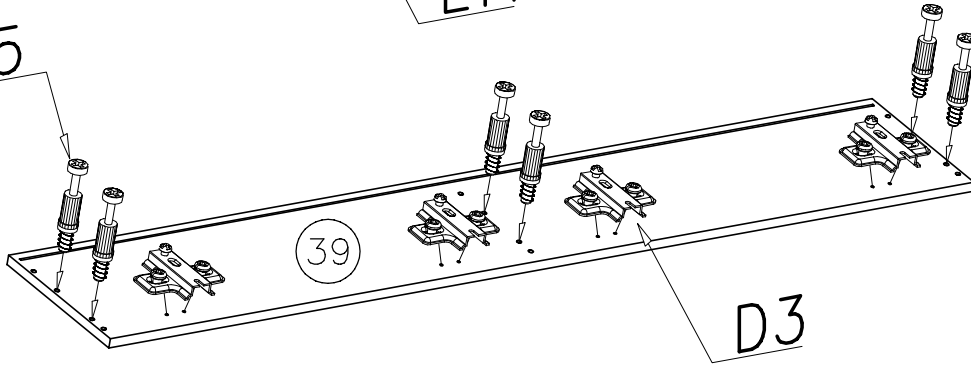
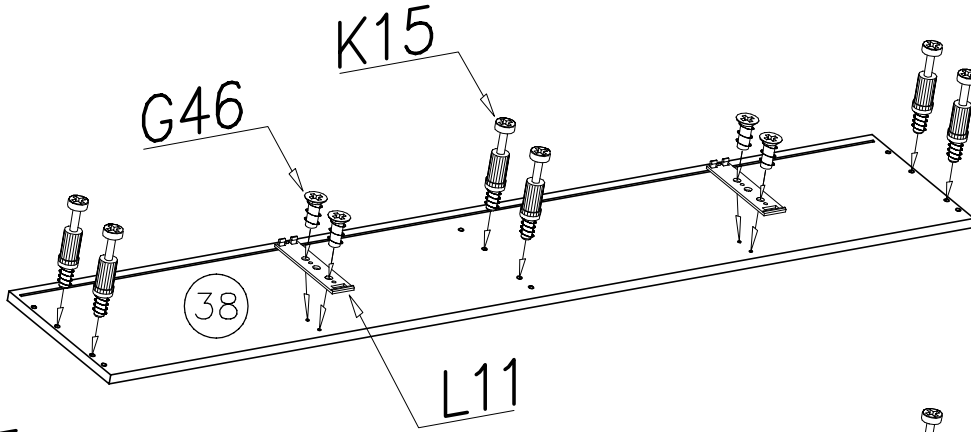
nr	L[mm]	B[mm]	T[mm]	Menge	Colli
28	788	362	3	1	3/4
29	795	376	16	1	3/4
32	136	120	16	1	3/4
33	690	196	4	1	2/4
34	350	278	16	1	3/4
36	107	278	16	1	3/4
37	107	278	16	1	3/4
38	1600	278	16	1	3/4
39	1600	278	16	1	3/4
40	795	120	16	1	3/4
41	795	120	16	1	3/4

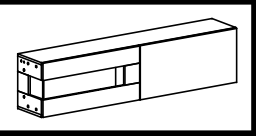


L7 80N x...(2)	L11 x...(2)	B3 ø8x50 x...(8)	W1 GLUE, LEIM, LEPIDLO, LIM x...(1)	G32 3,5x16 x...(8)
G21 3x16 x...(3)	G46 6x8 x...(4)	S2 x...(3)	U7 x...(3)	U8 ø10x60 x...(3)
G21 3x16 x...(3)	G36 3,5x13 x...(8)	U10L x...(1)	U10R x...(2)	U9L x...(1)
K1 ø15x12 x...(16)	I3 x...(8)	G22 3,5x16 x...(8)	I1 x...(10)	U9R x...(2)
K15 x...(16)	B1 ø8x35 x...(12)	C3 Z35PR x...(4)	D3 PZ35PR x...(4)	I7 x...(16)

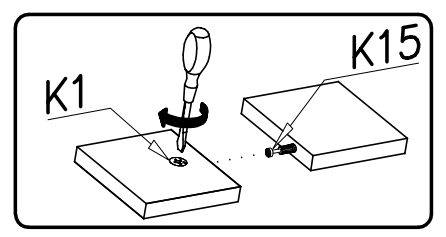
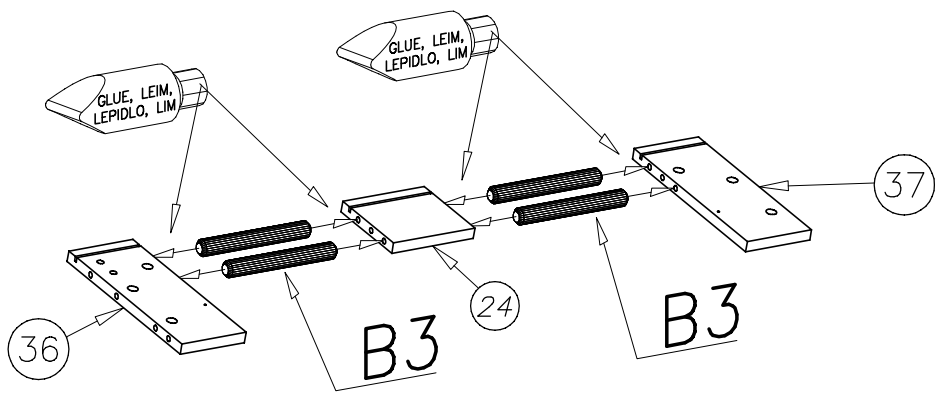


I

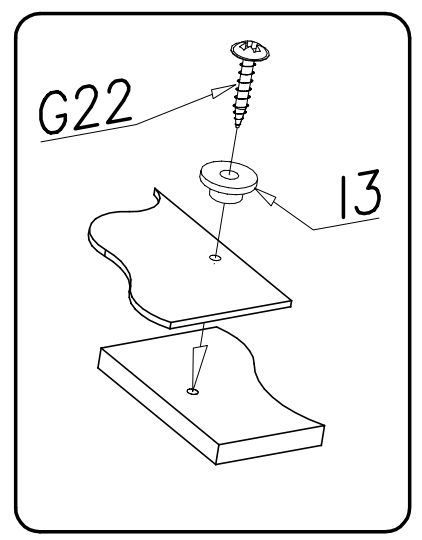
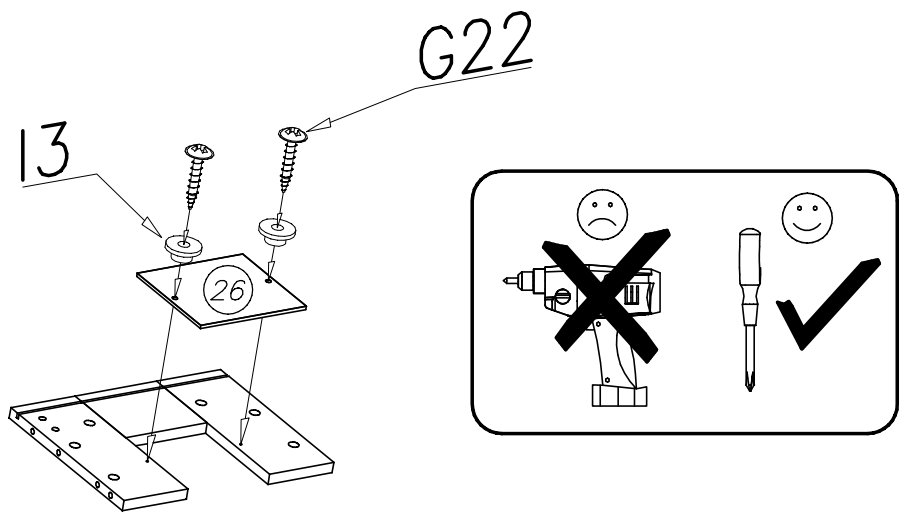




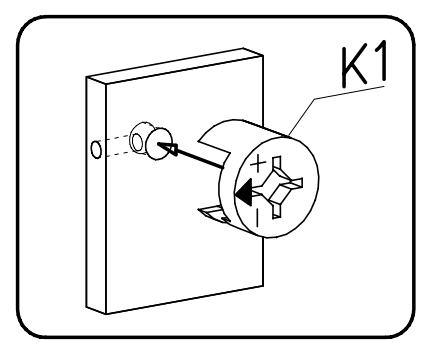
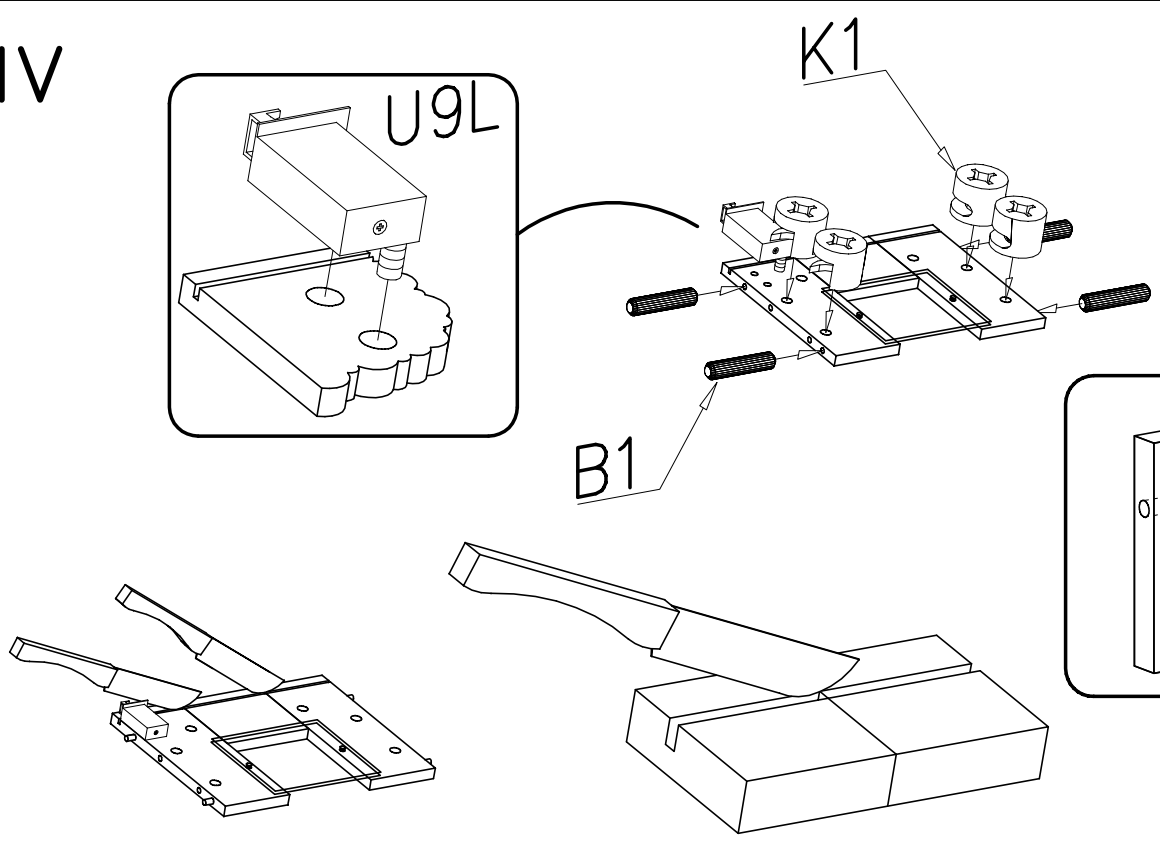
II

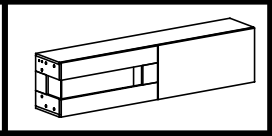


III

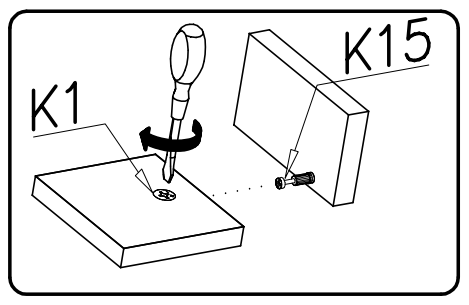
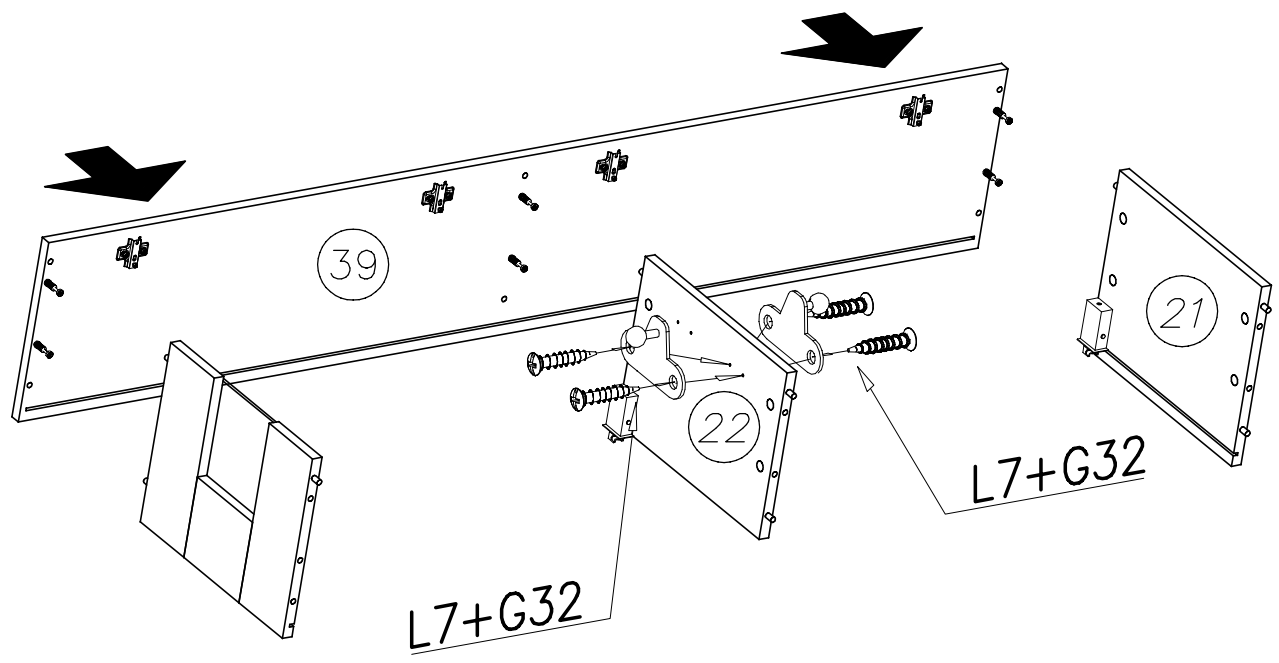


IV

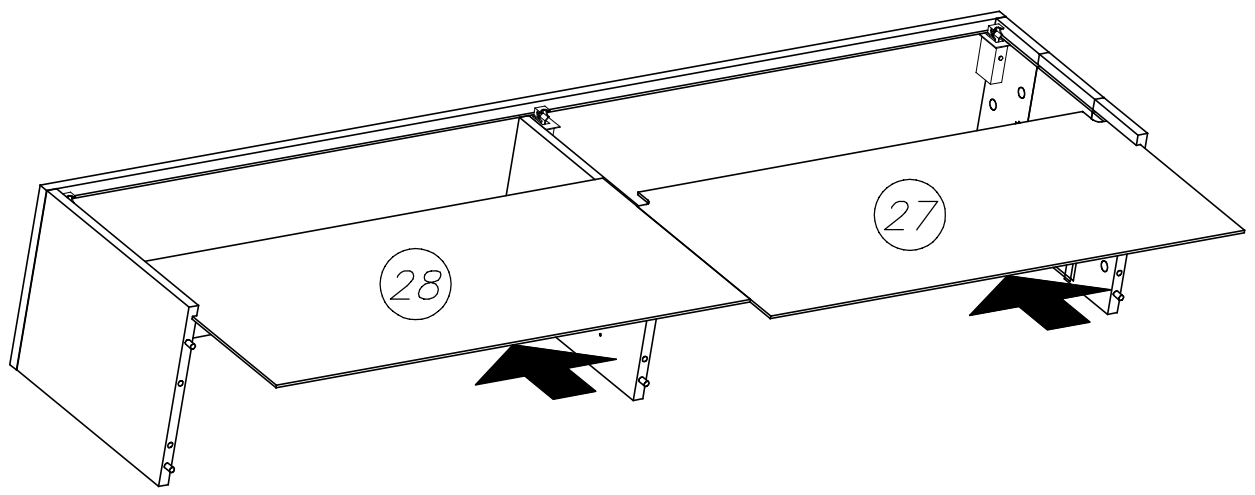


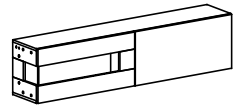


V

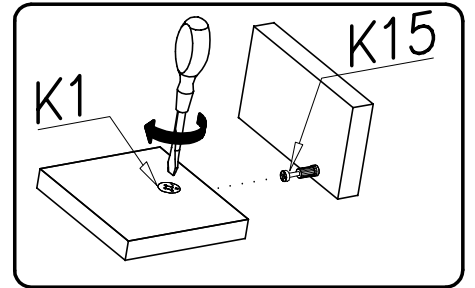
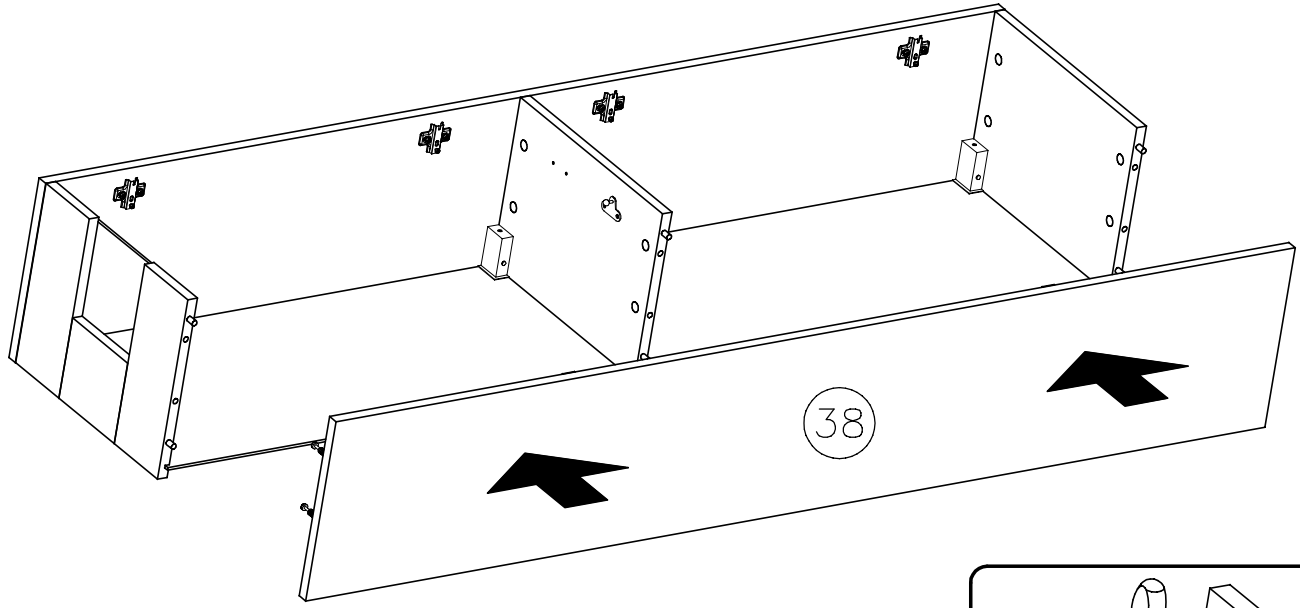


VI

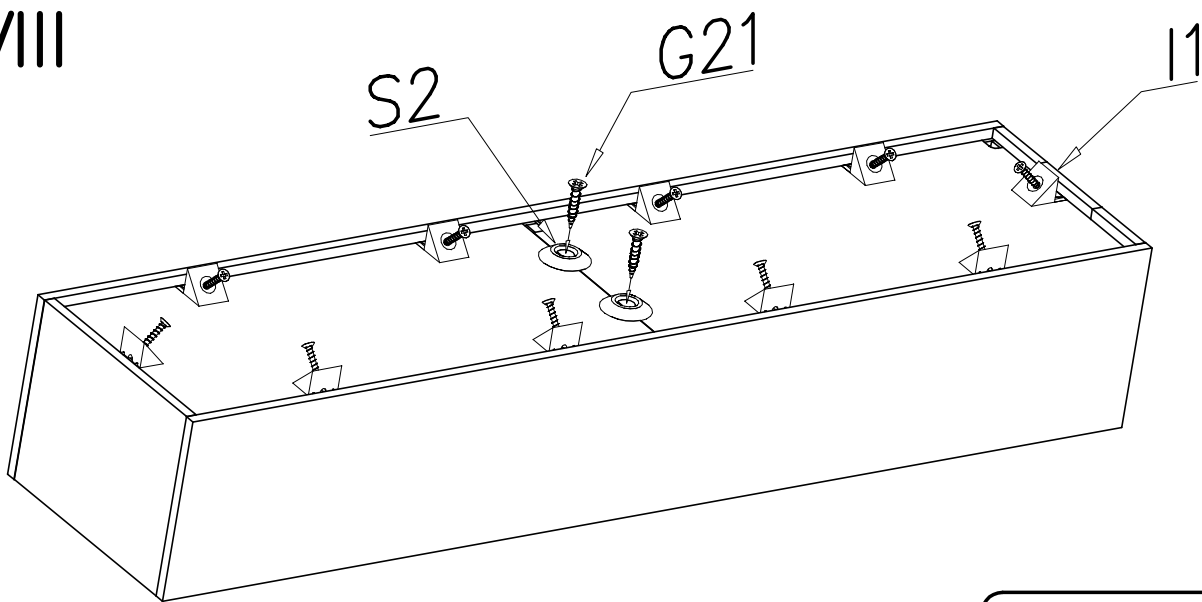




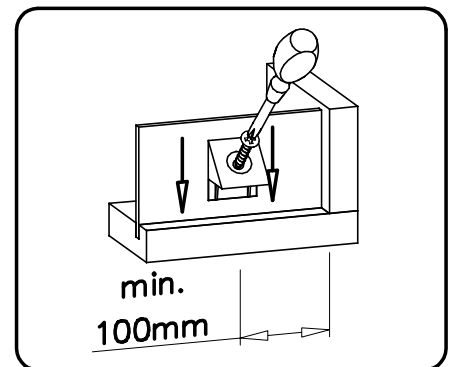
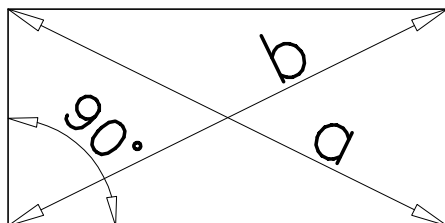
VII

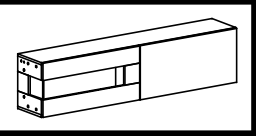


VIII

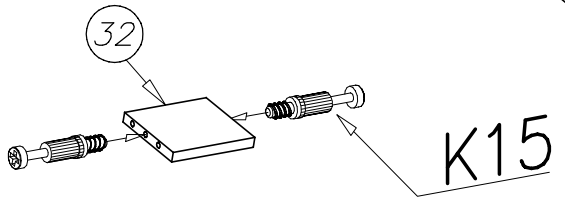
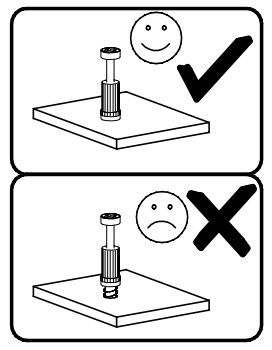
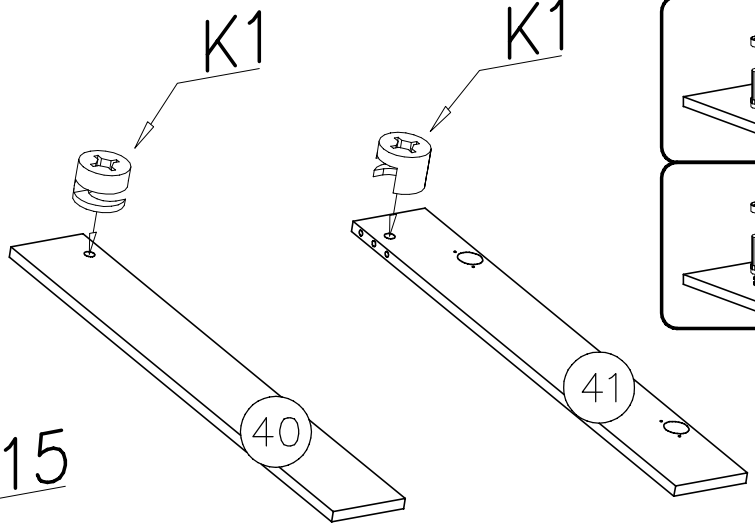
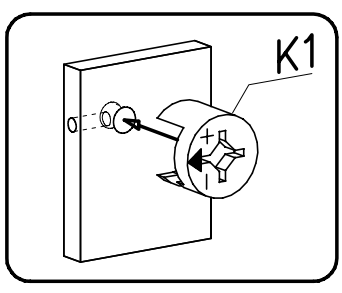


$a = b$

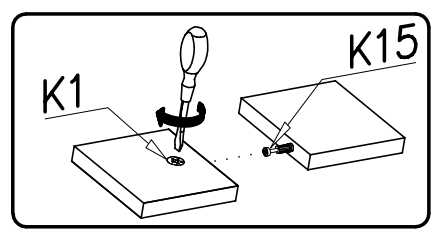
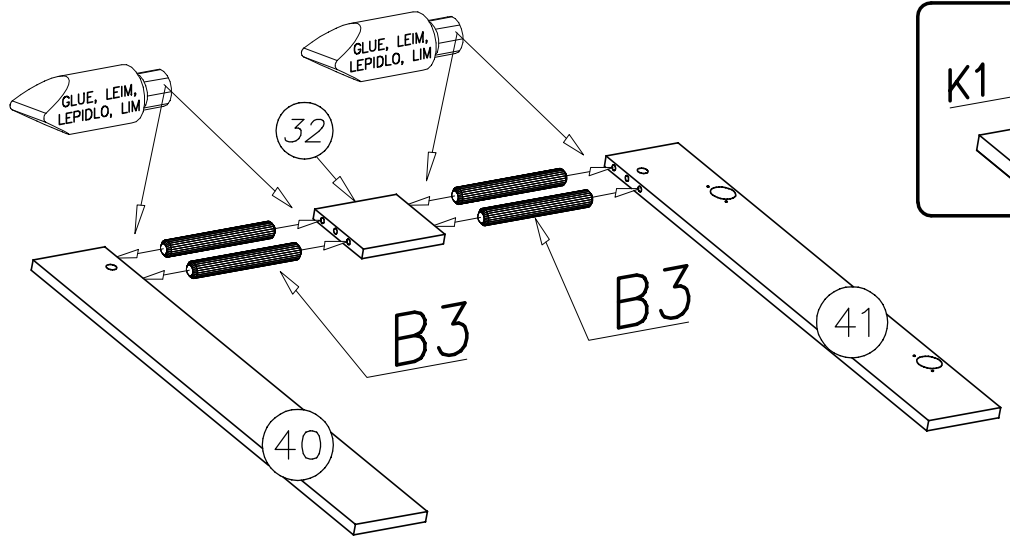




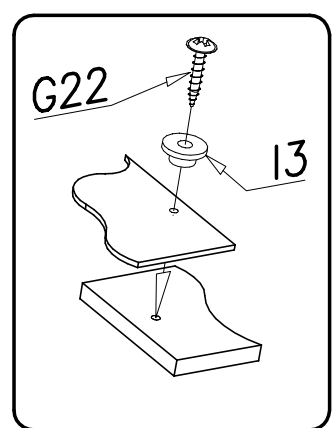
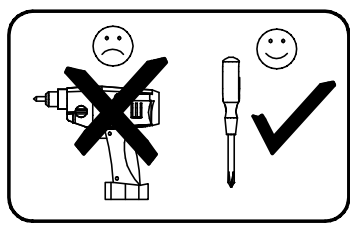
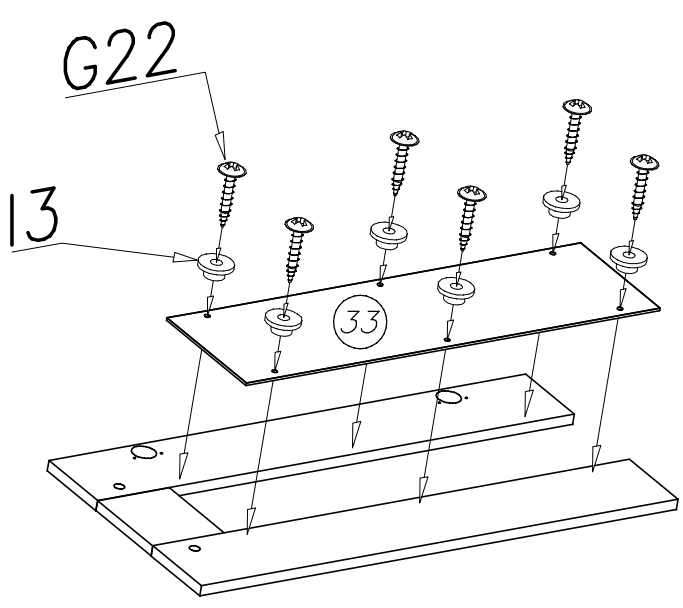
IX

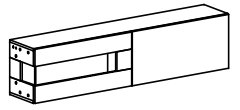


X

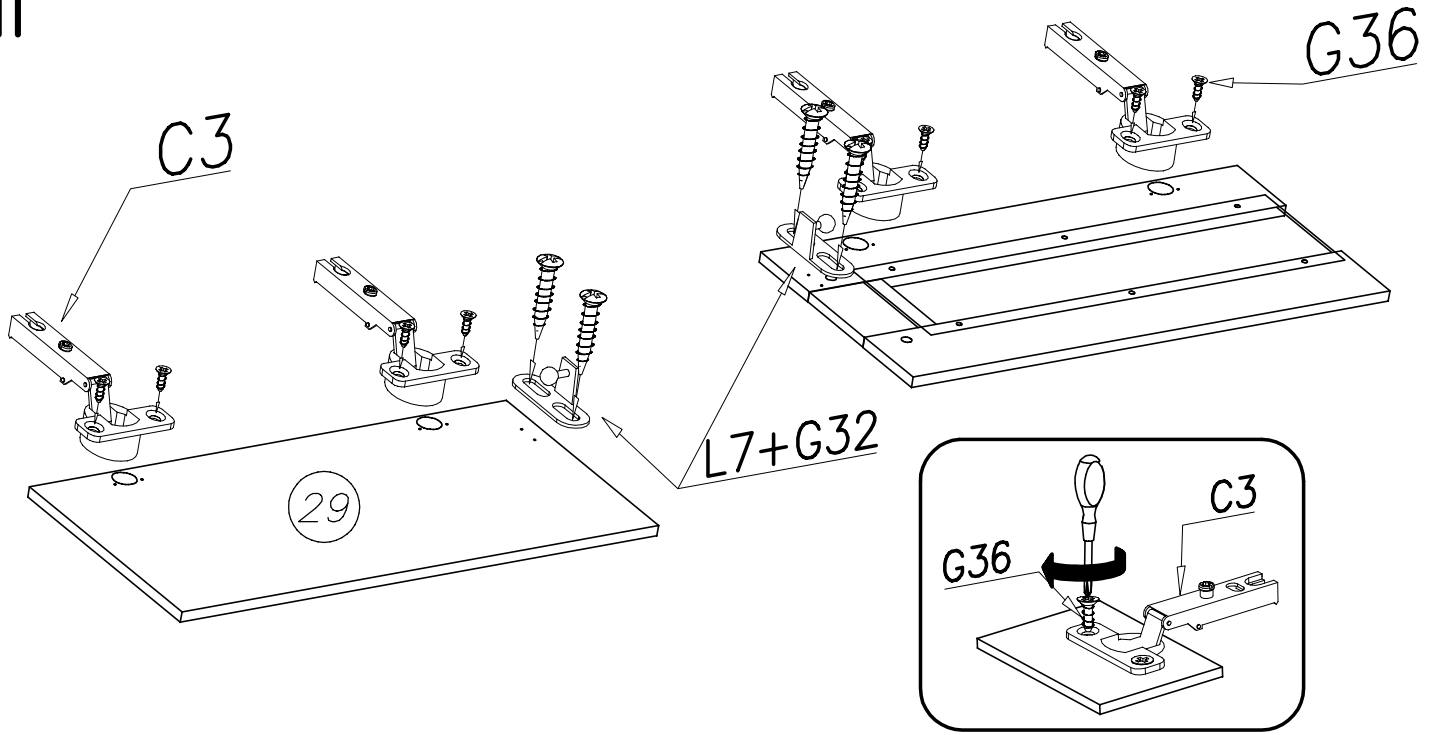


XI

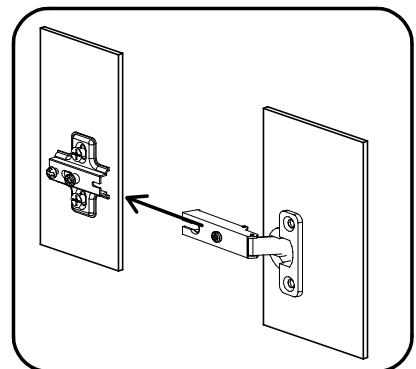
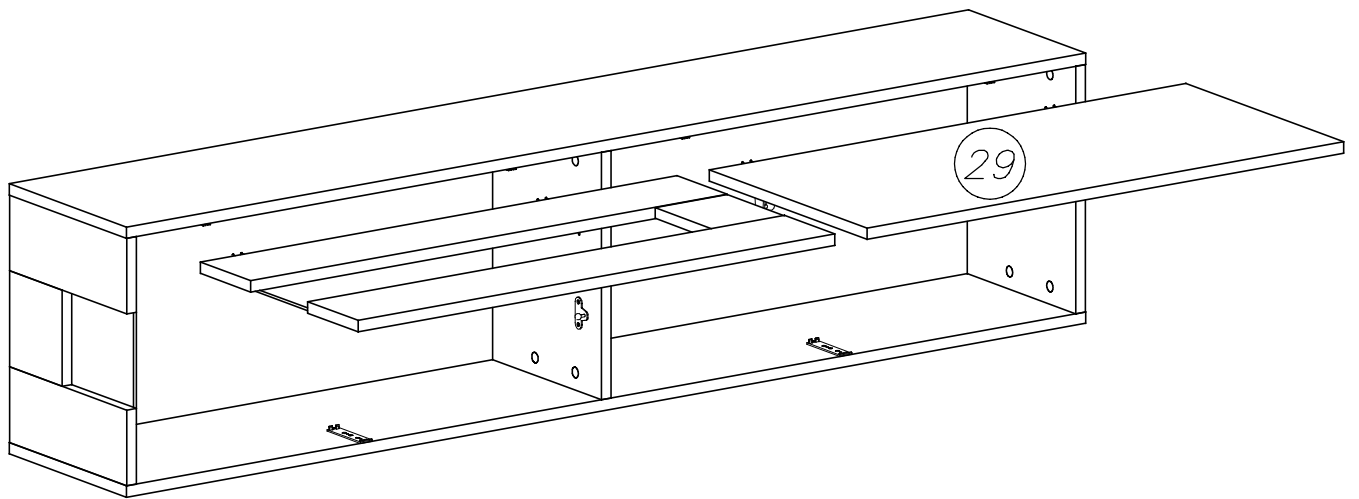


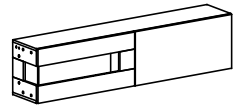


XII

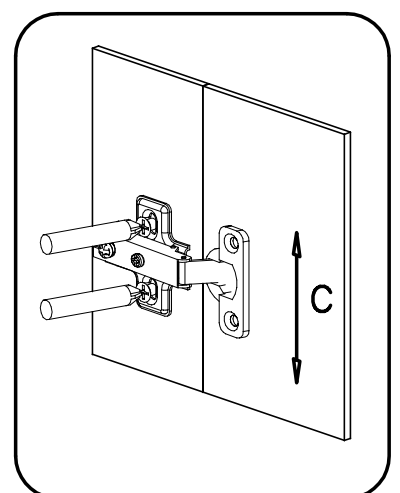
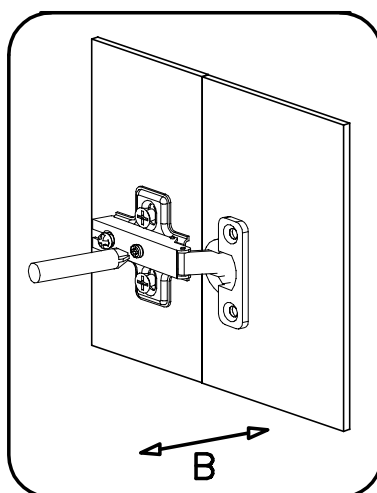
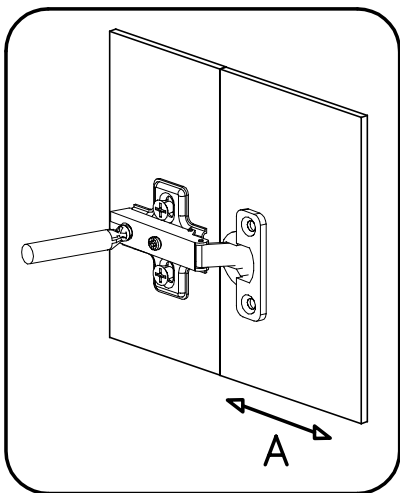
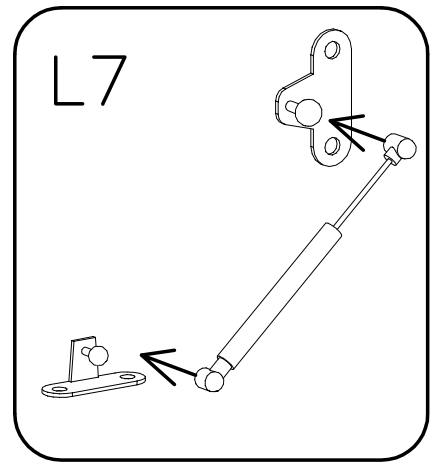
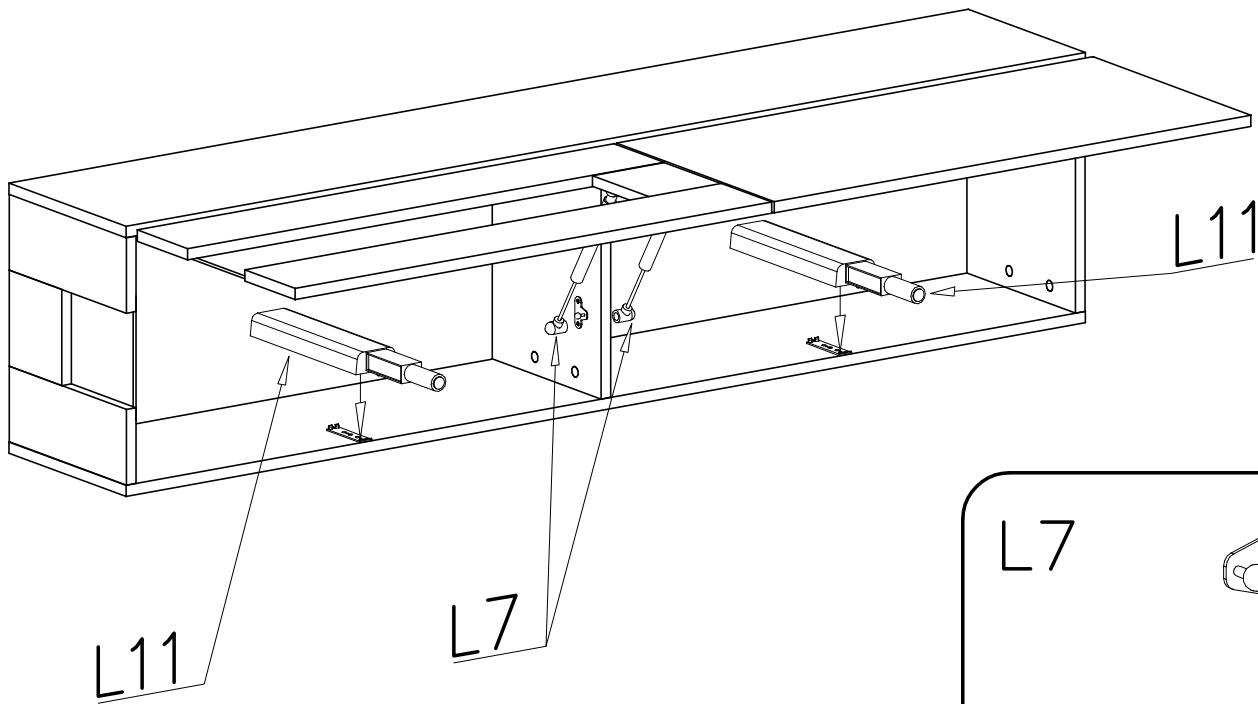
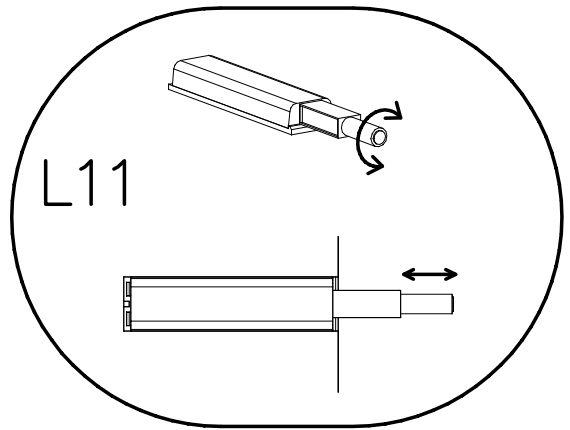
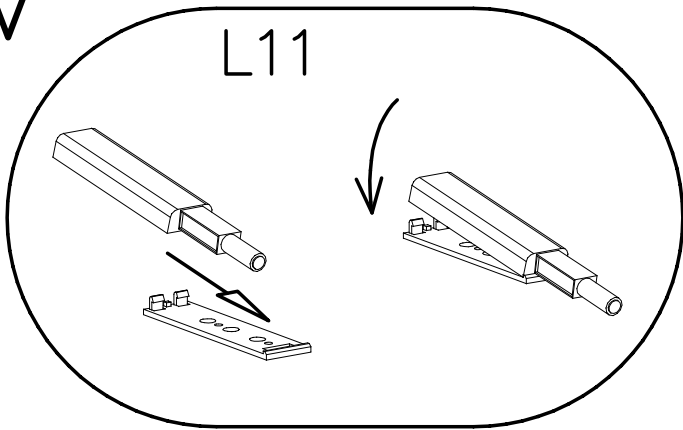


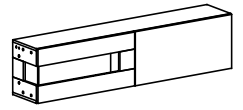
XIII



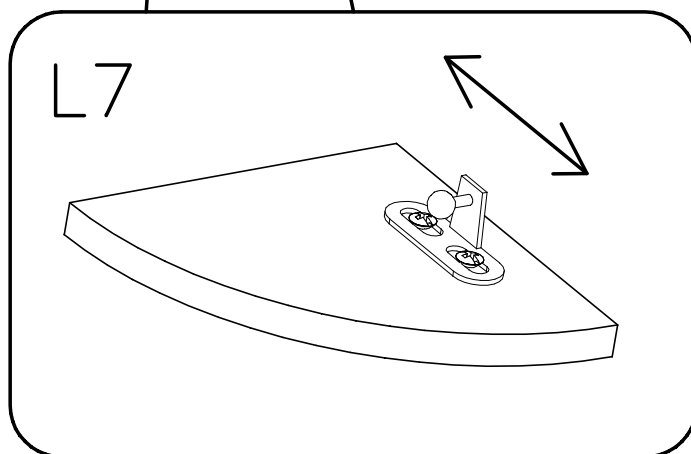
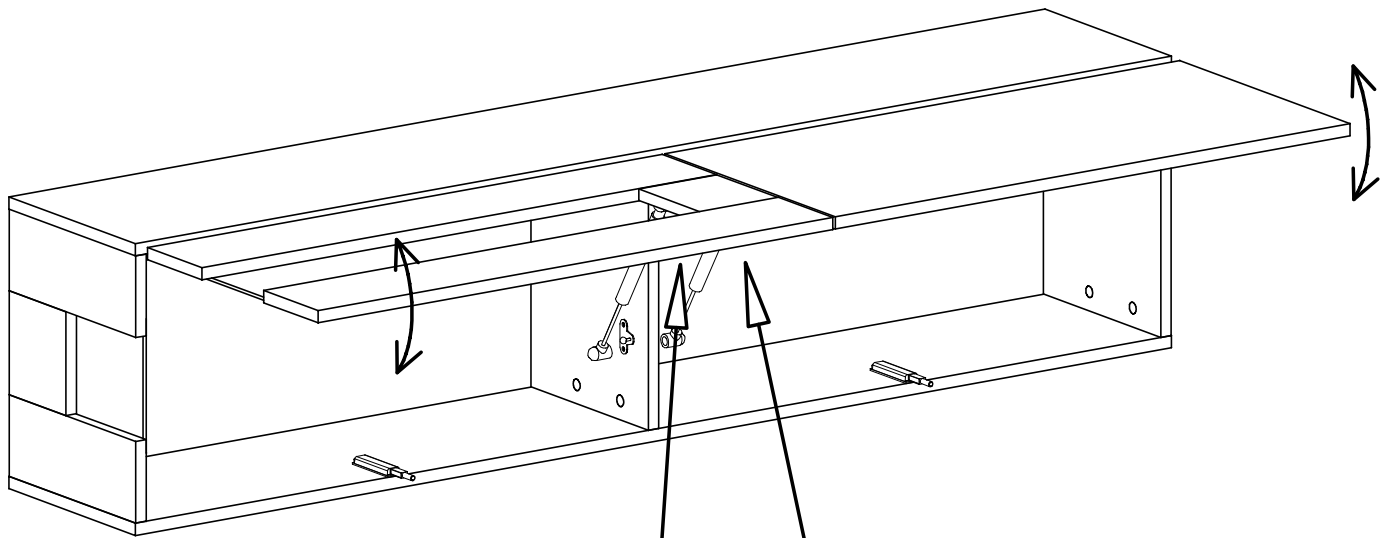


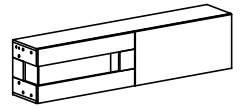
XIV



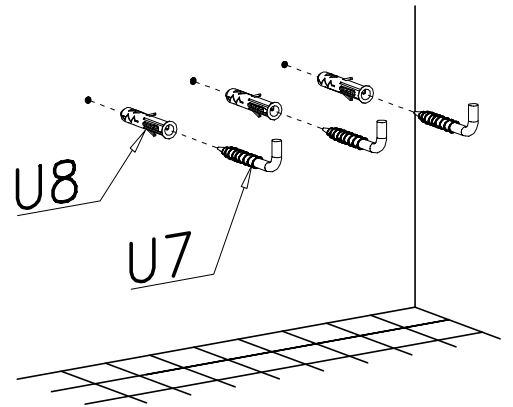
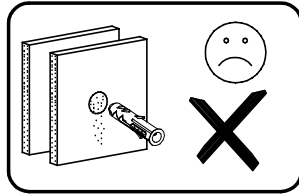
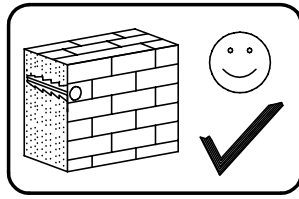
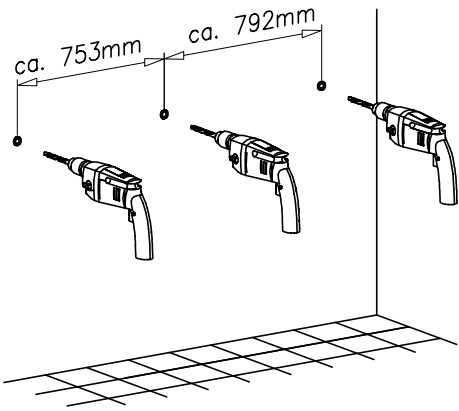


XV





XVI



XVII

