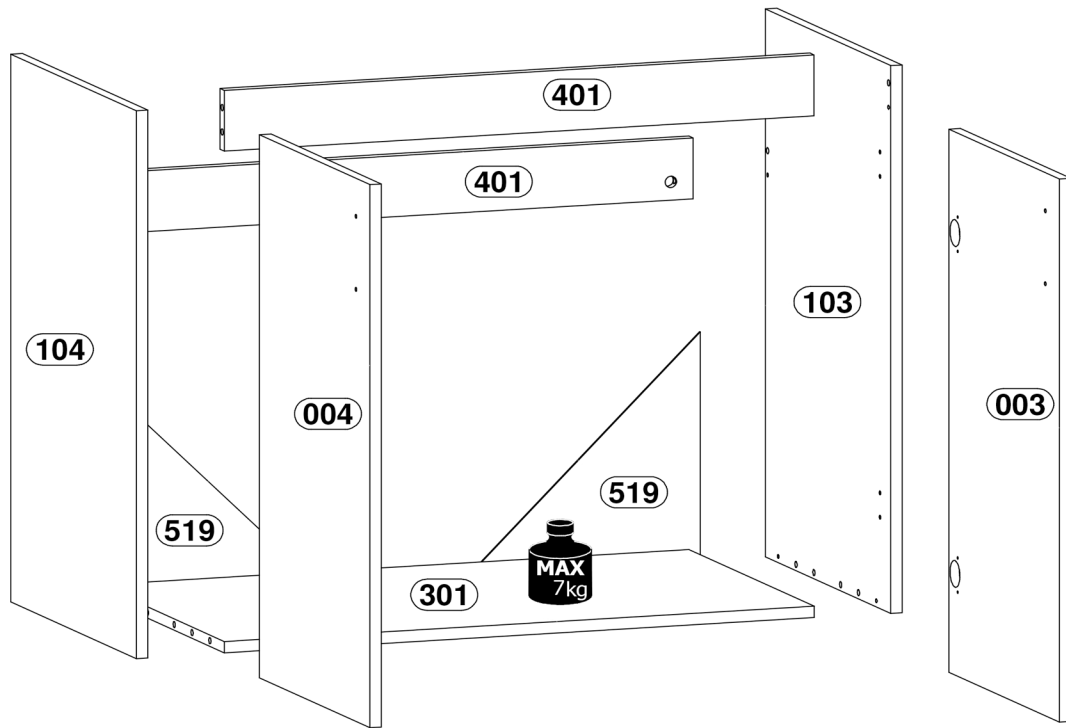
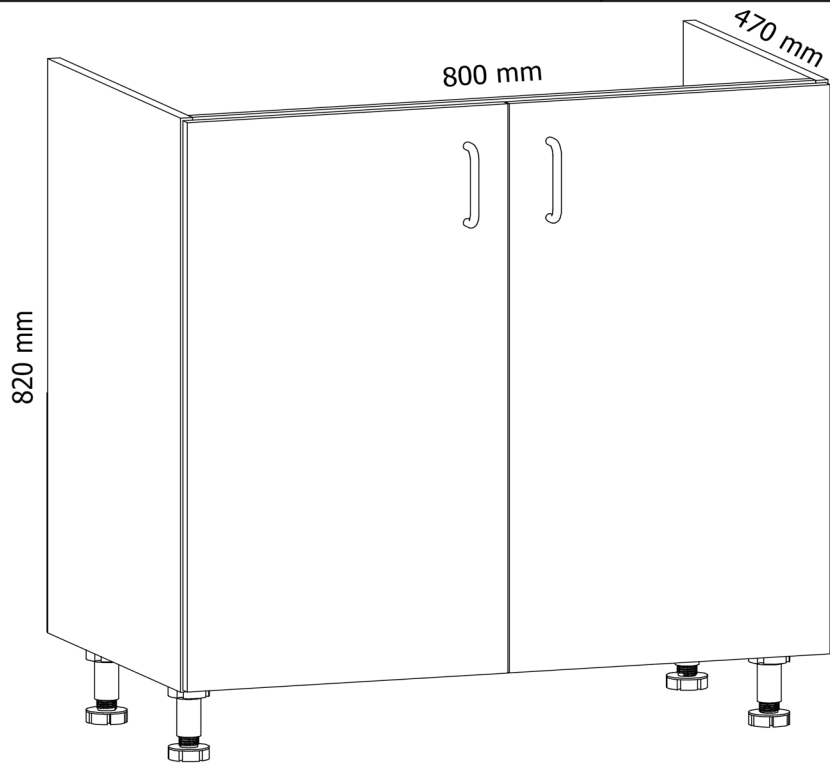


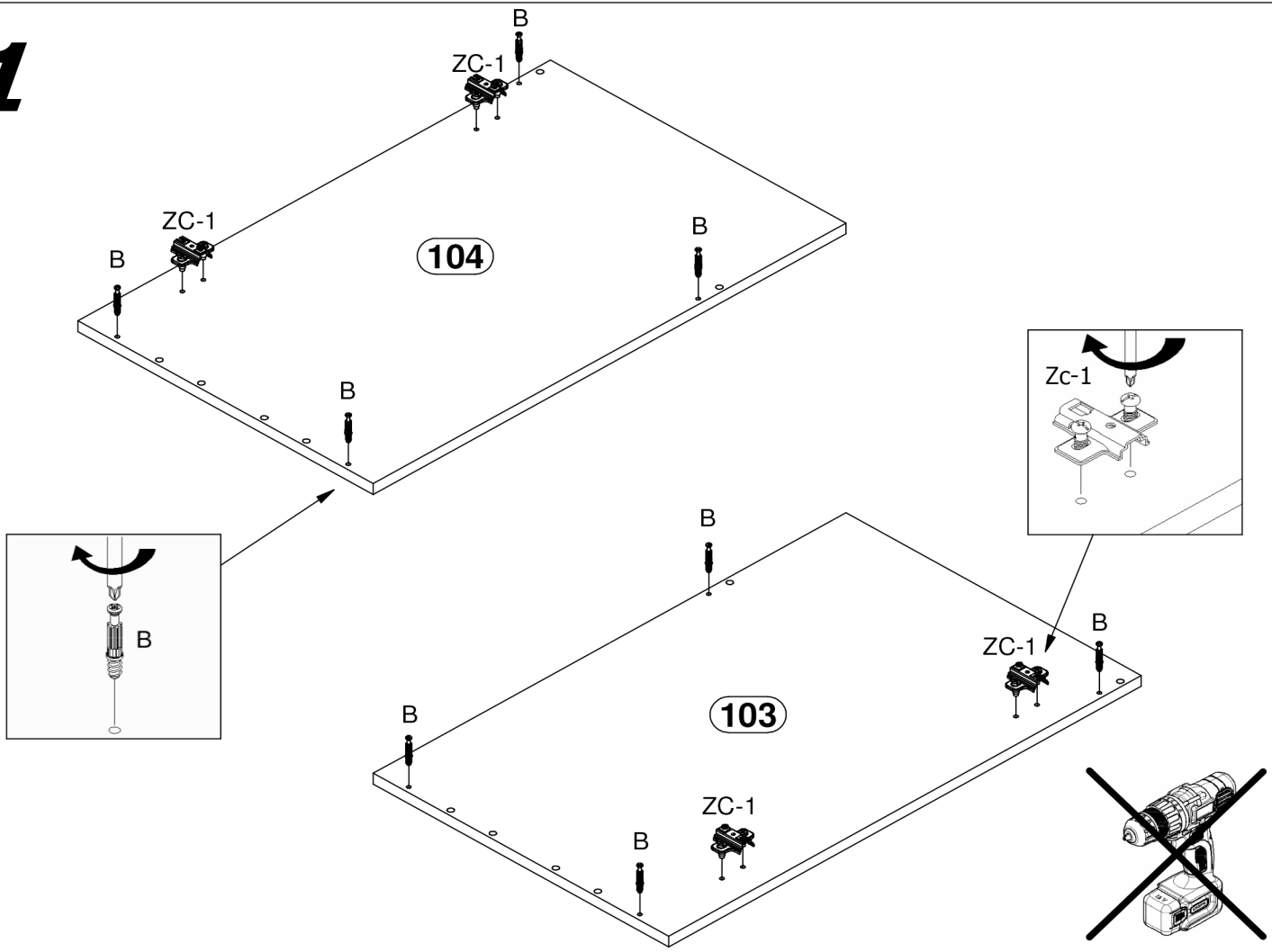
# D80Z

# S80Z

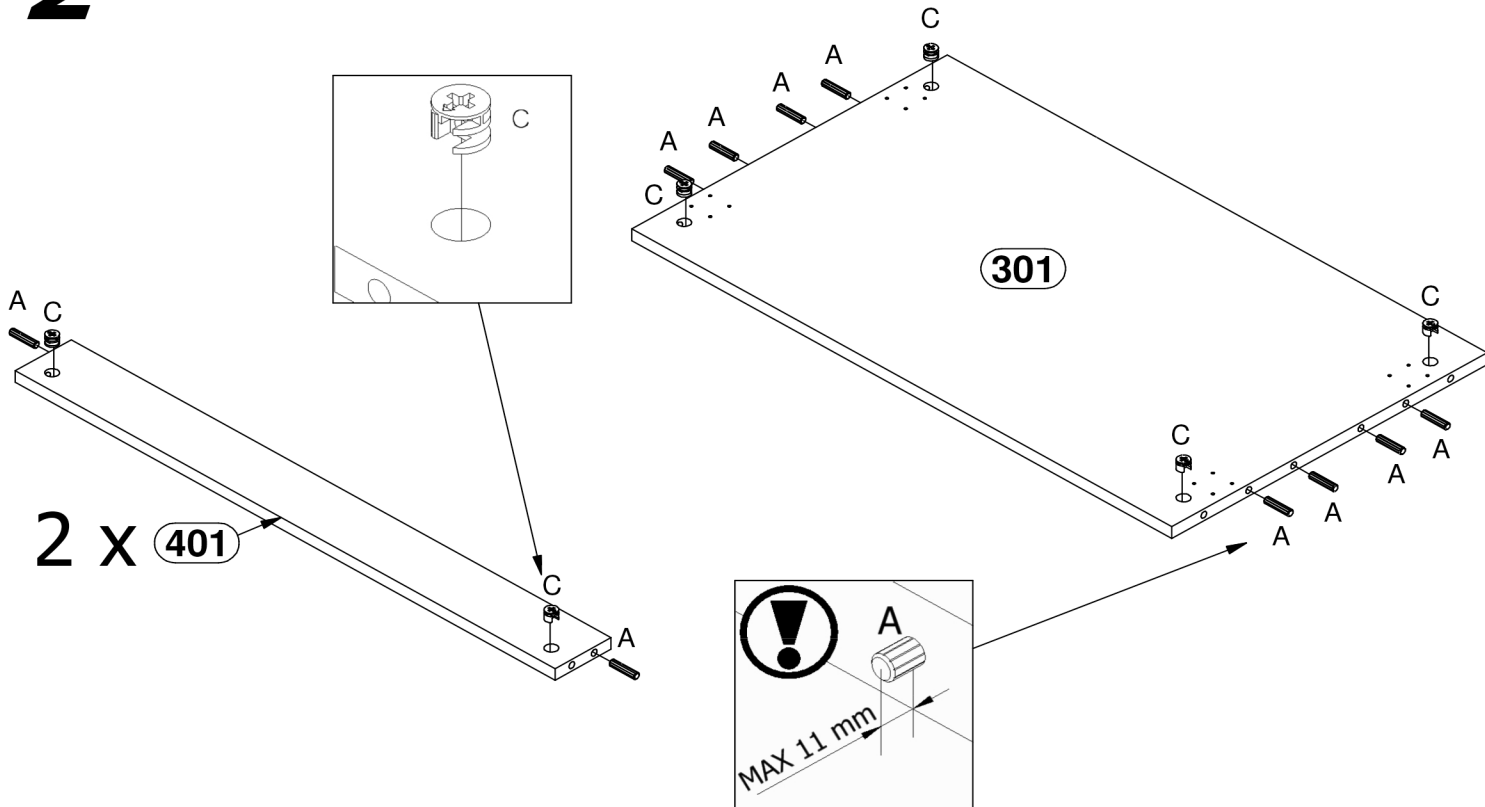


|                             |                             |                                |                            |
|-----------------------------|-----------------------------|--------------------------------|----------------------------|
| <b>A</b> x12<br><br>Ø8x35mm | <b>B</b> x8<br><br>Ø15x12mm | <b>C</b> x8<br><br>Ø15x12mm    | <b>G</b> x15<br><br>Ø18 mm |
| <b>L1</b> x4<br>            | <b>M</b> x2<br>             | <b>W2</b> x24<br><br>Ø3,5x16mm | <b>Y</b> x8<br><br>Ø18 mm  |
| <b>Zc</b> x4<br><br>Zc-1    | <br>Zc-2                    |                                |                            |

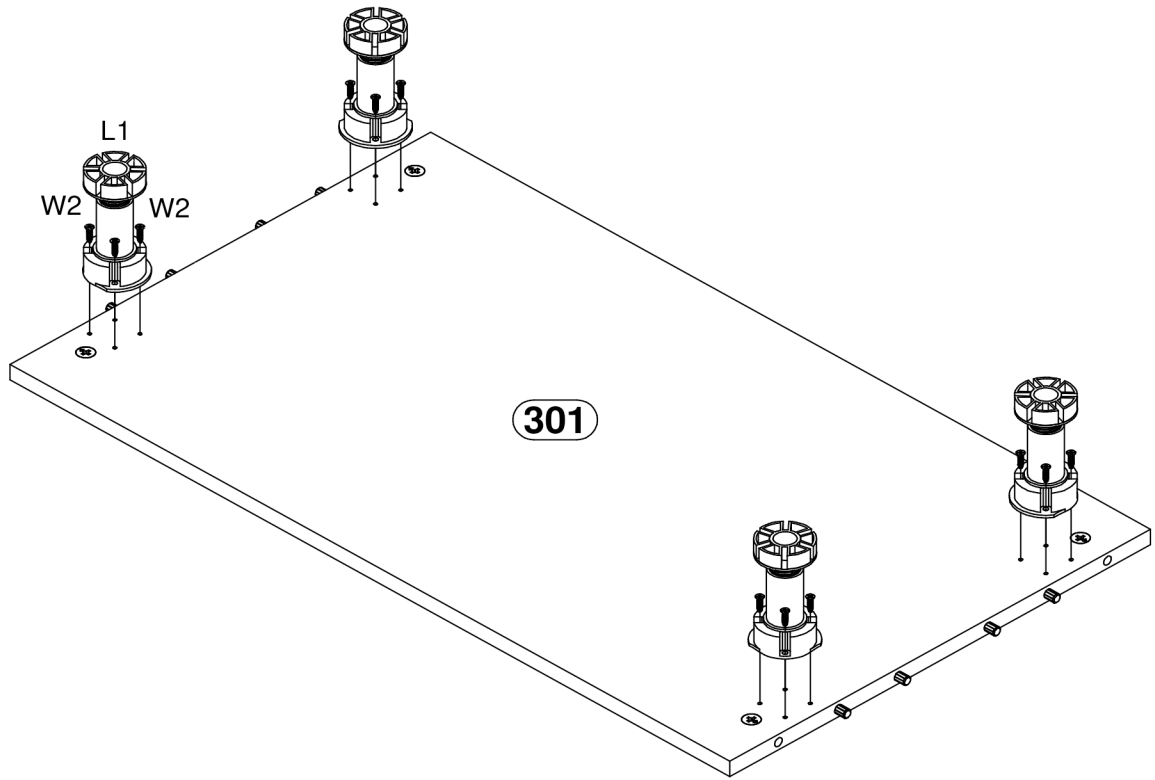
# 1



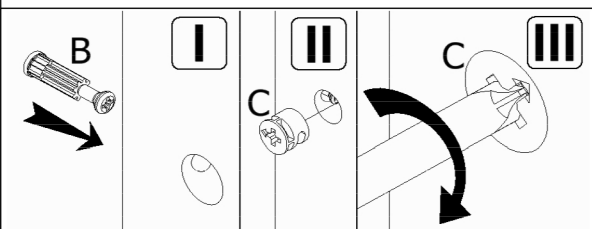
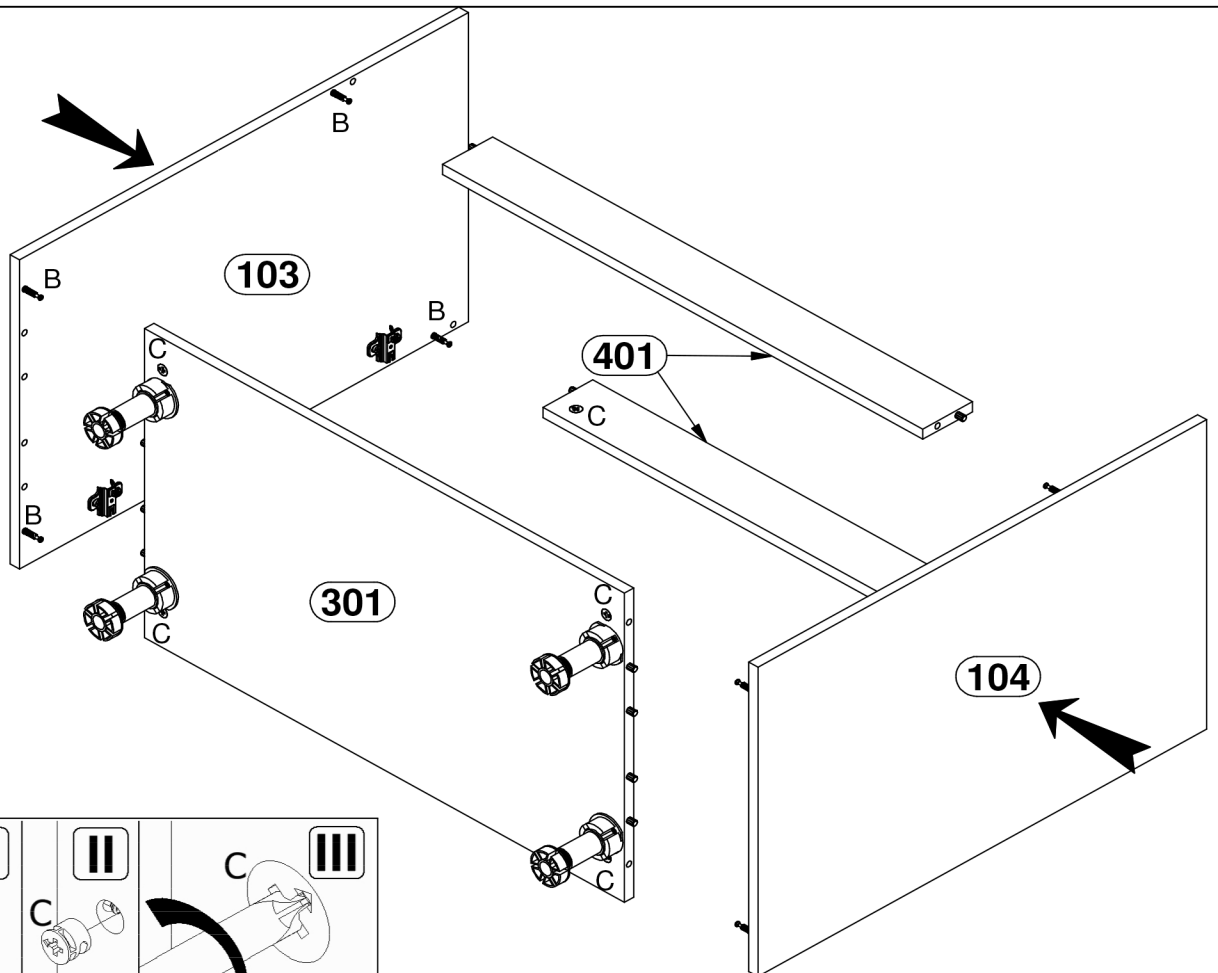
# 2



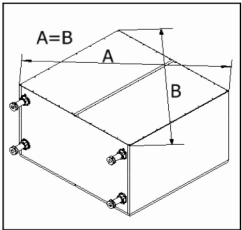
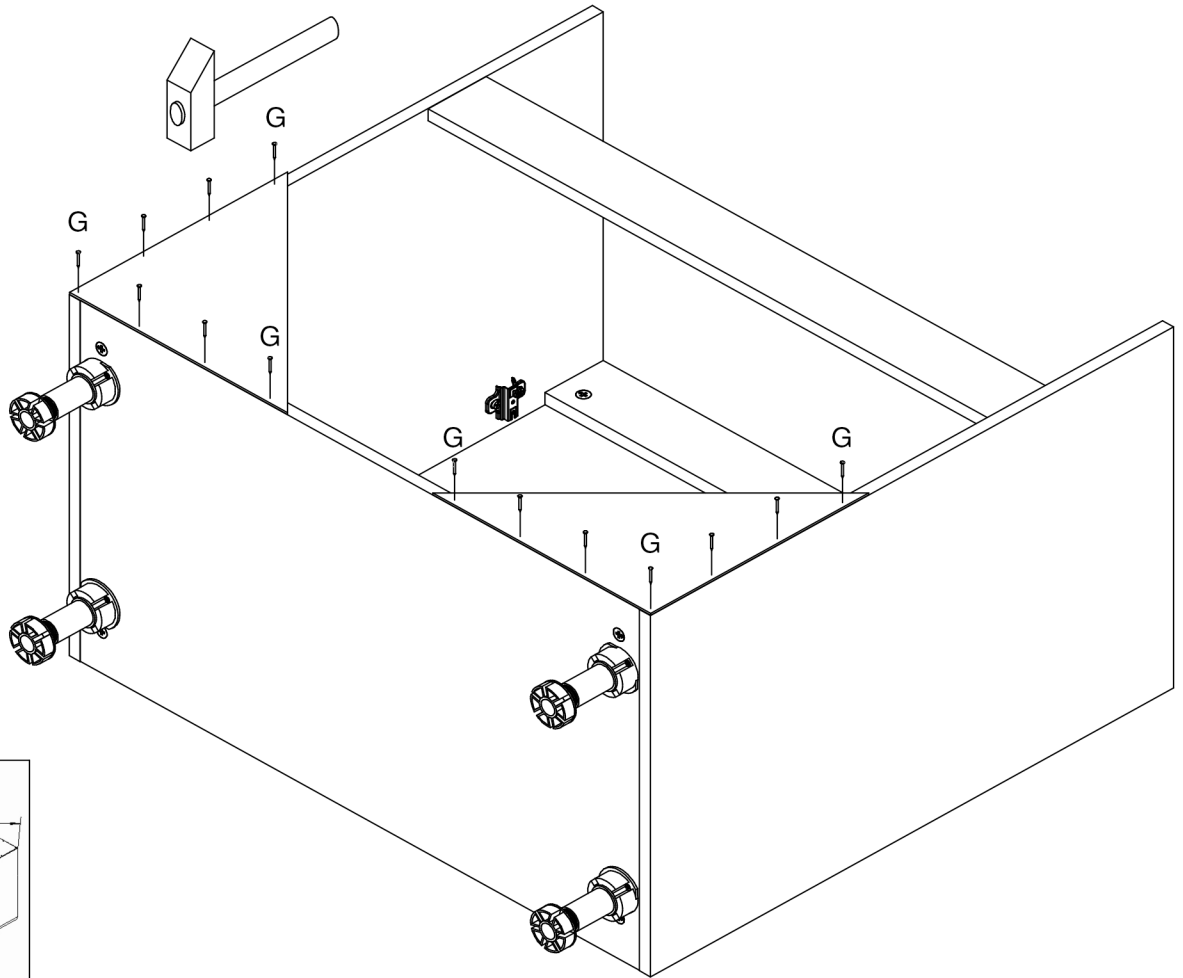
# 3



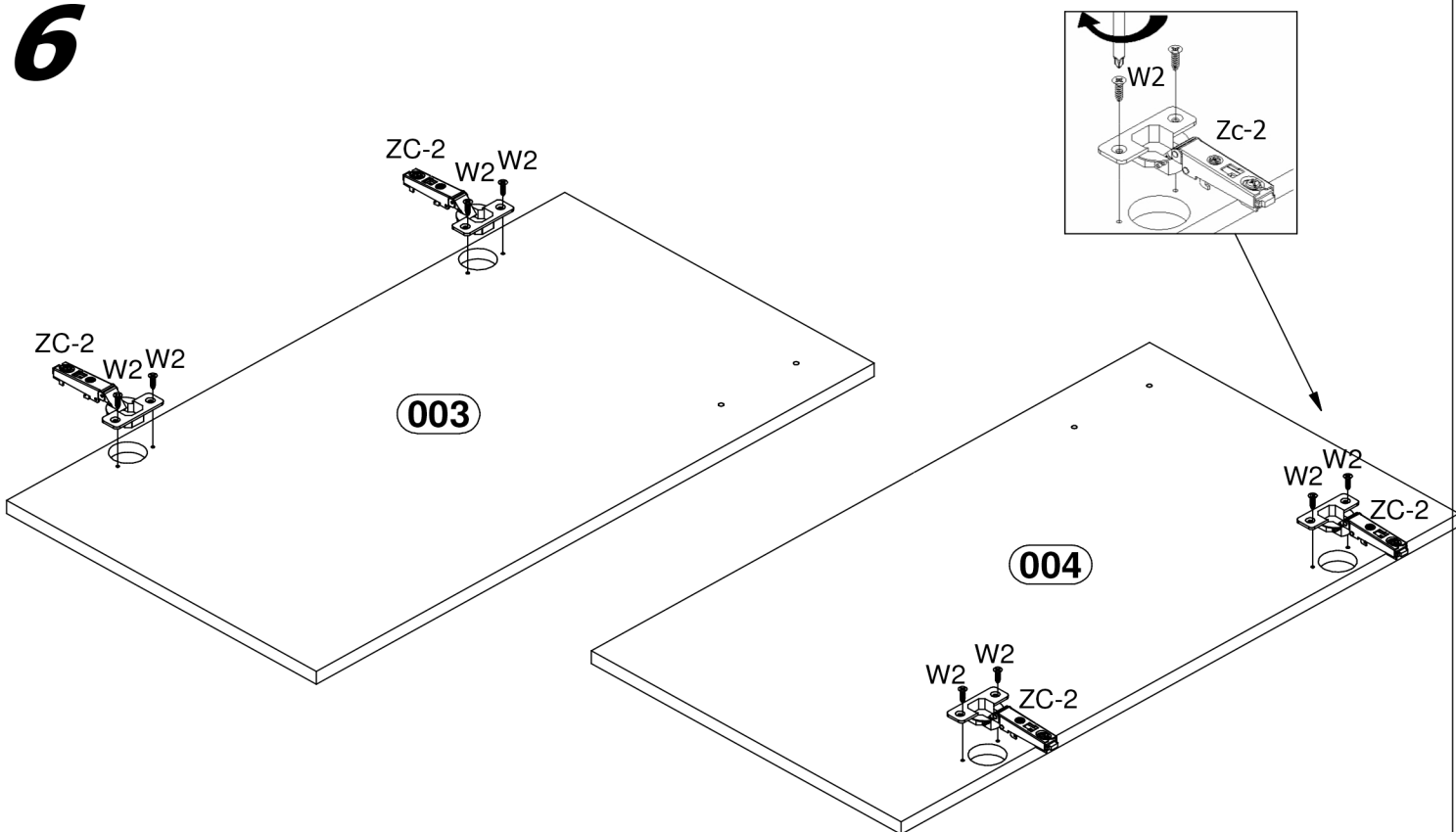
# 4



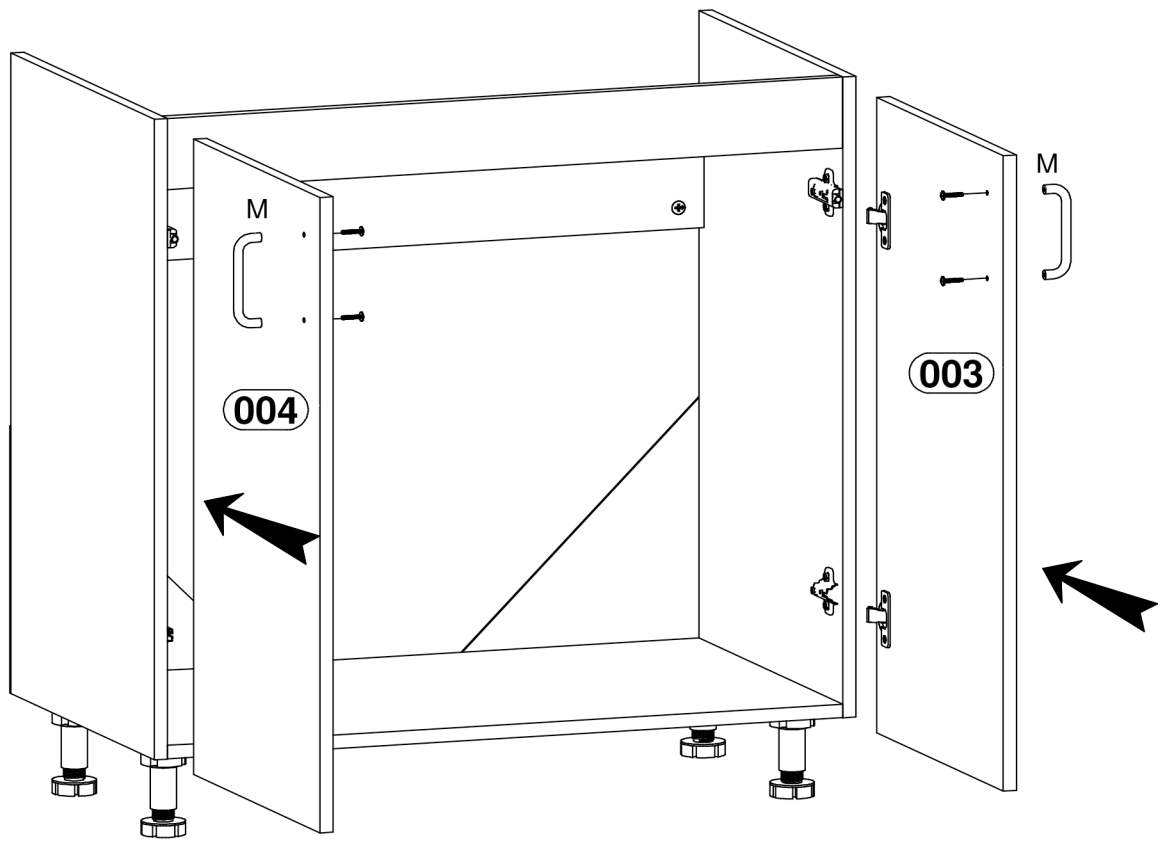
# 5



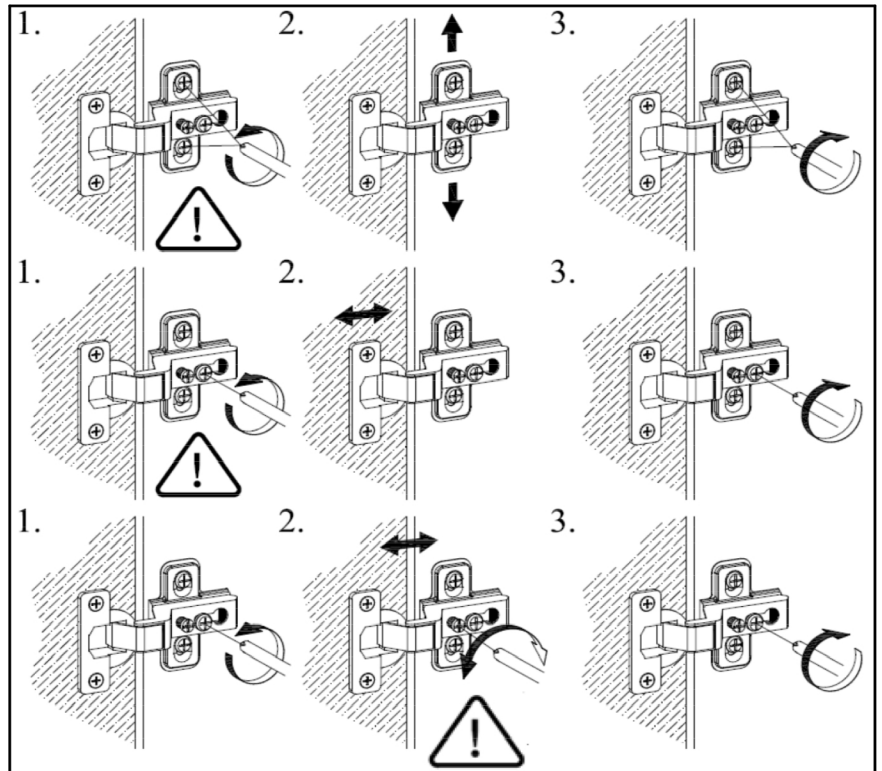
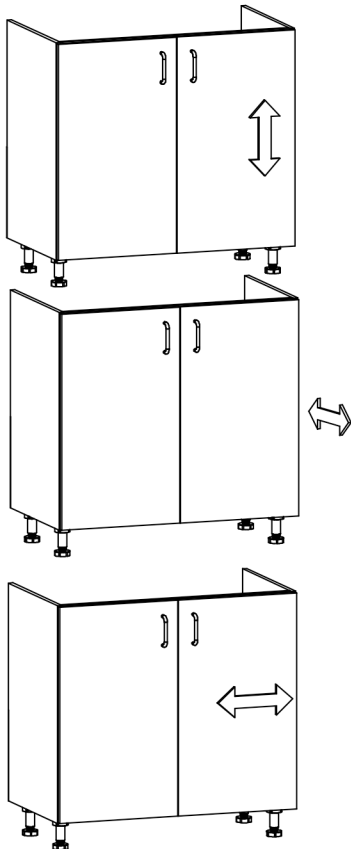
# 6

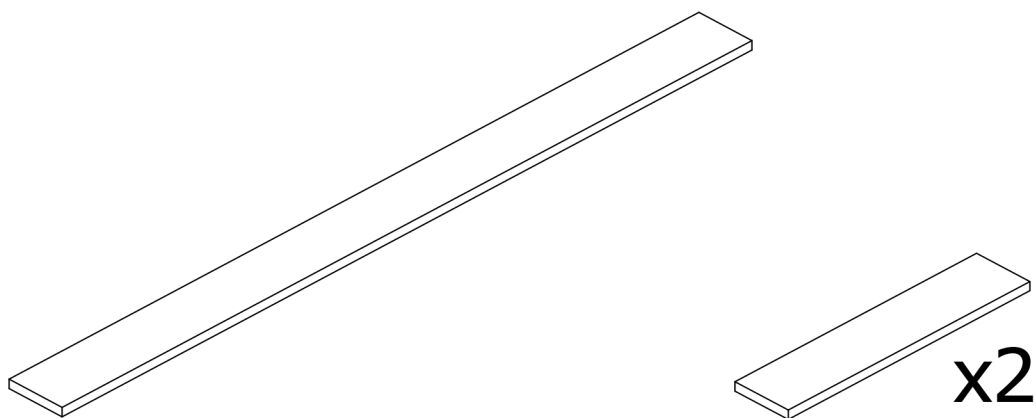
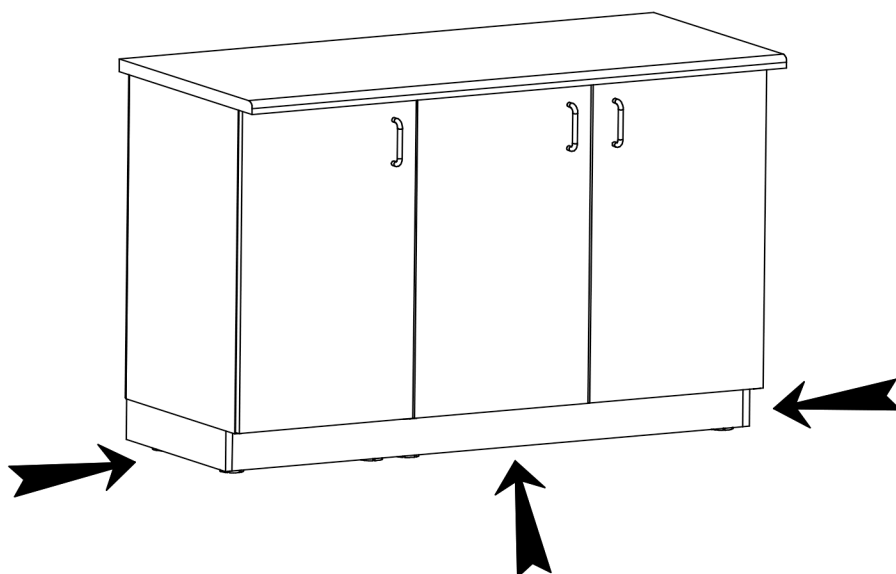


7

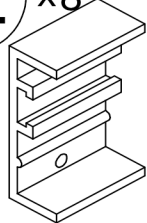


8

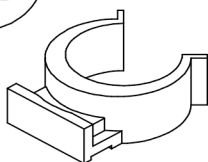




L2 x8



L3 x8

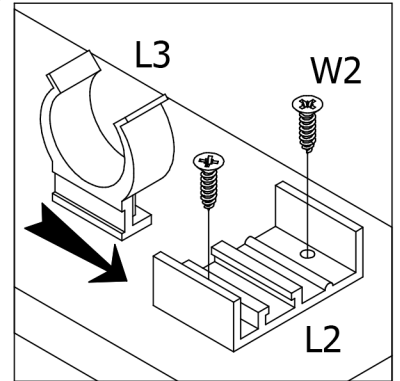
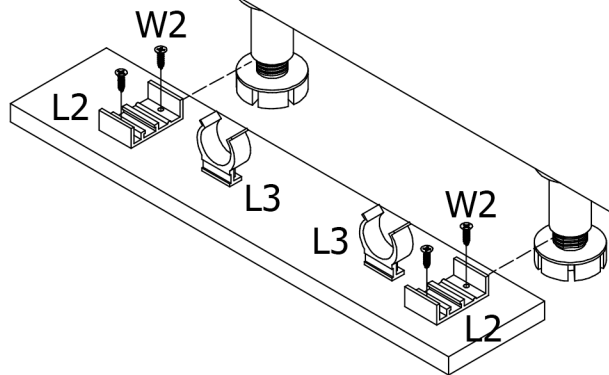


W2 x16



Ø3,5x16

# 9



# 10

