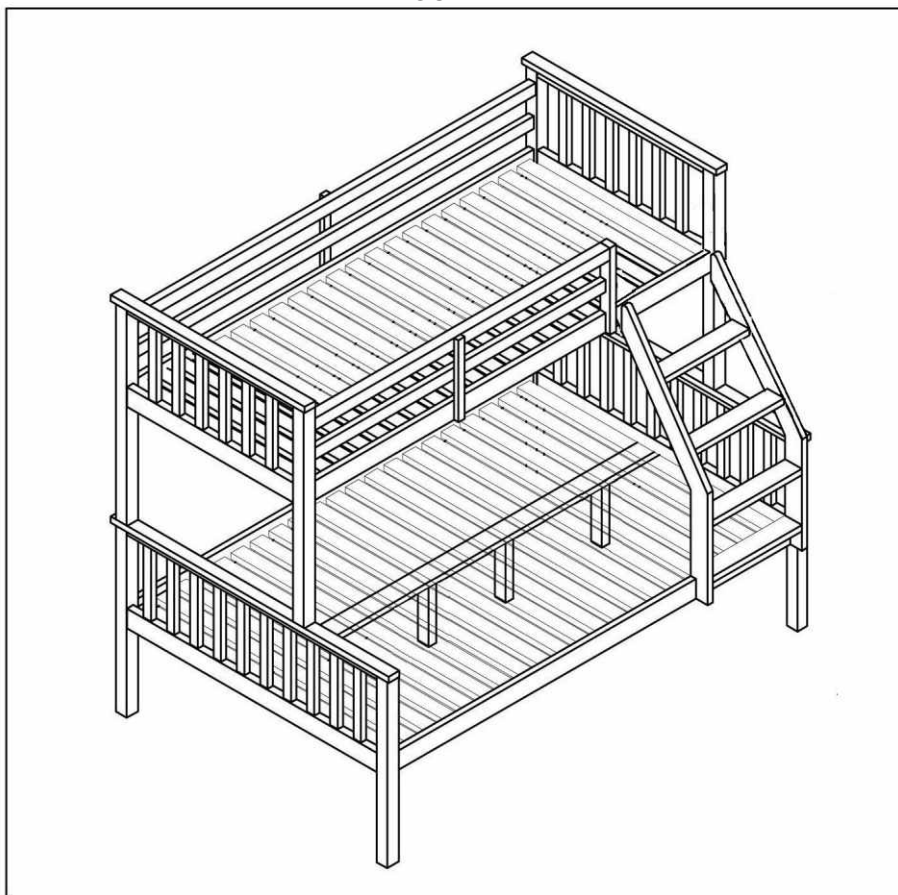

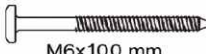



















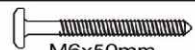





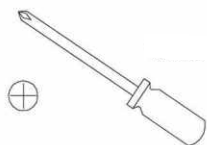
BAGIRA

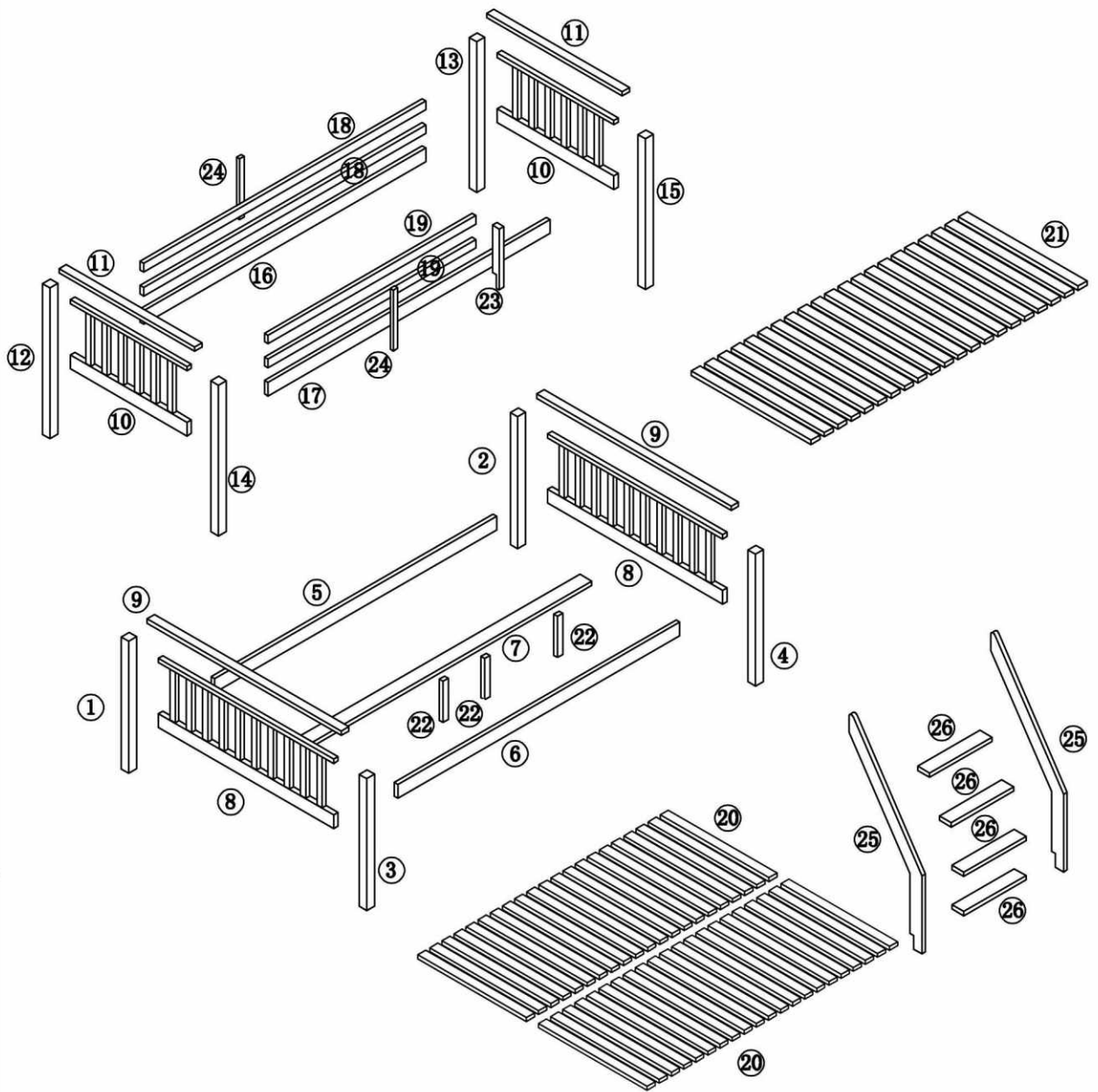
140x200cm, 90x200 cm
B1269W

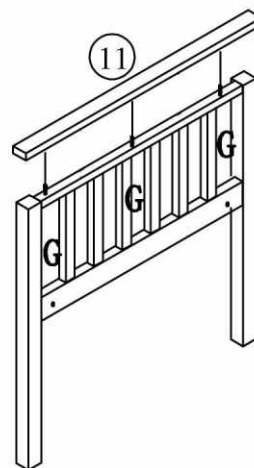
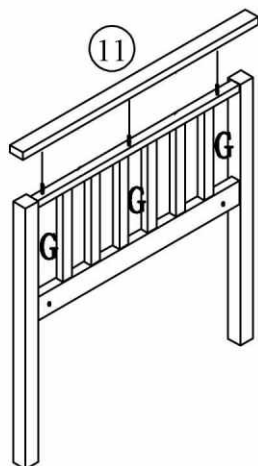
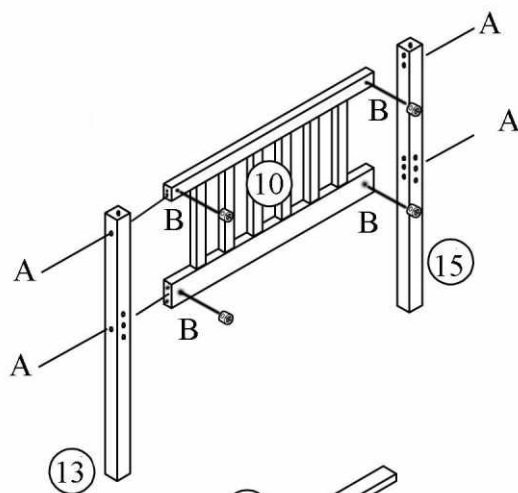
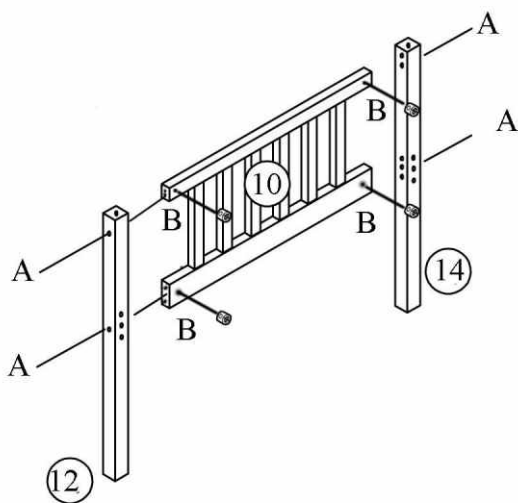
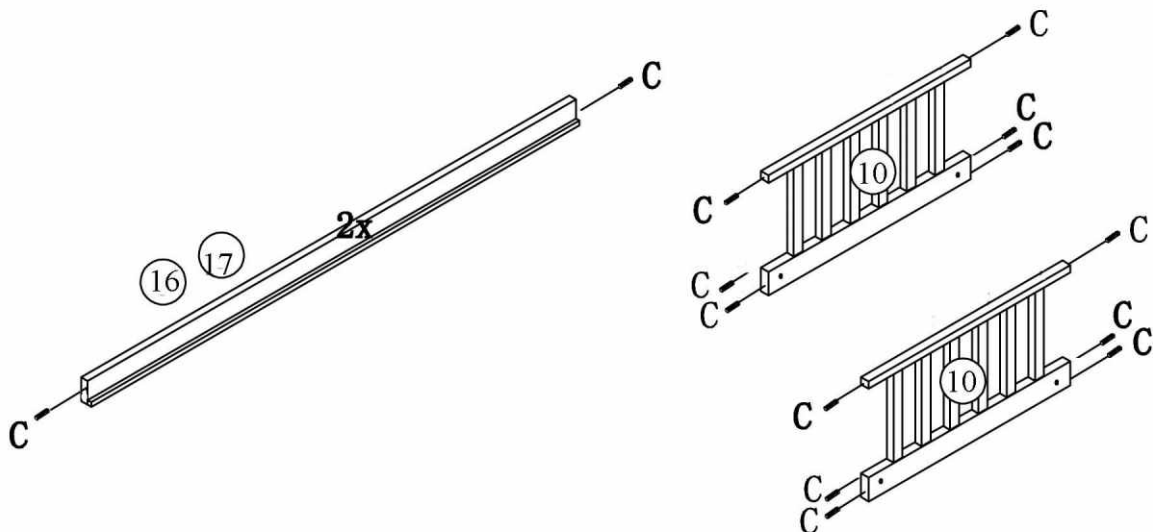


A	 15mm	 M6x100 mm	16
B			40
C	 Ø8x30mm		44
D			02
E	 8mm	 Ø4x30mm	66
F	 15mm	 M6x70mm	16
G	 15mm	 M6x80mm	38
H	 10mm	 Ø7x60mm	05


I	 15mm	 M6x60mm	02
J	 15mm	 M6x30mm	06
K	 Ø12 x80mm		04
L	 15mm		10
M	 15mm	 M6x50mm	02
N			02
O	 7mm	 Ø4x16mm	08

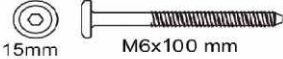




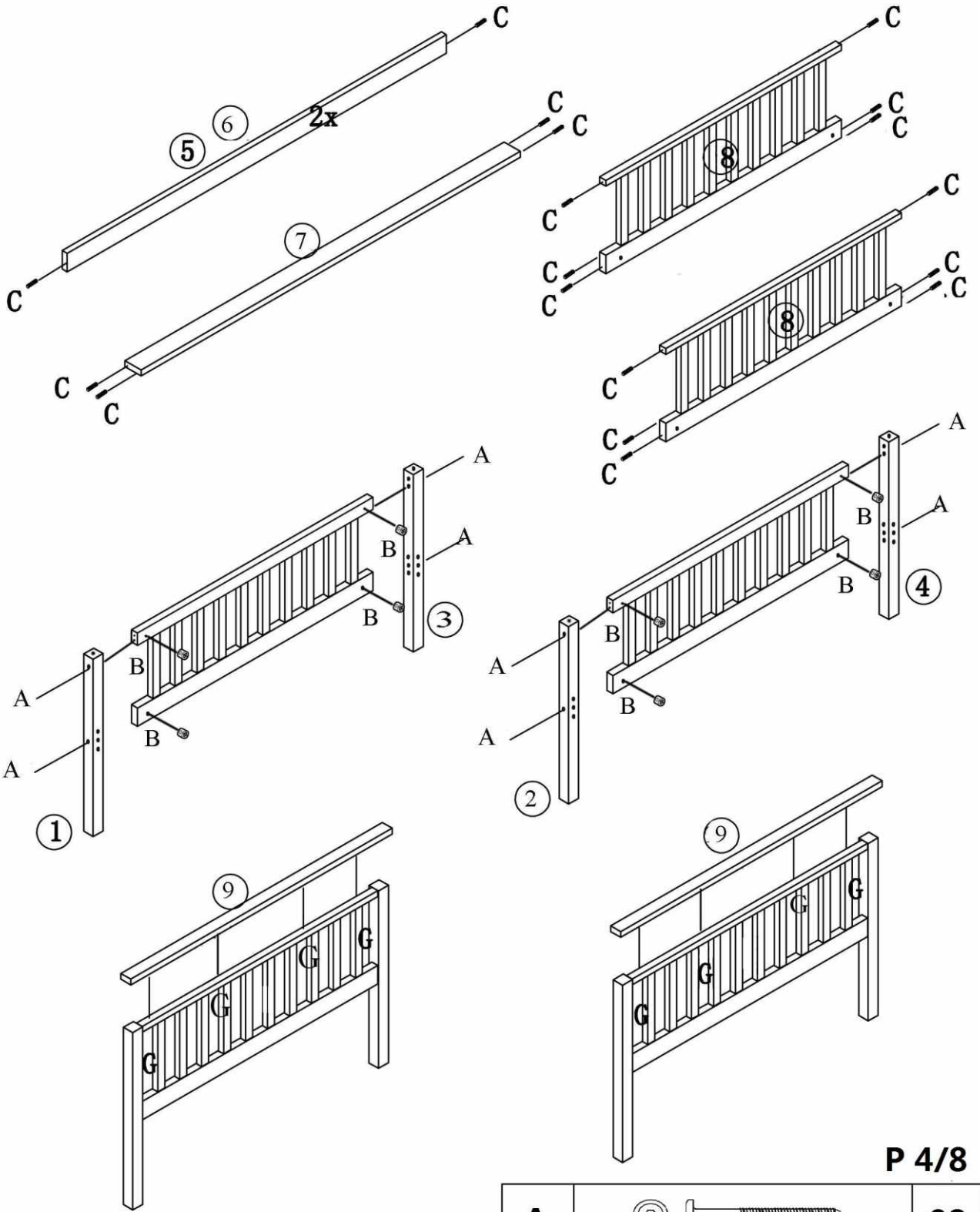





P 3/8

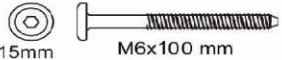


C	 Ø8x30mm	16
----------	--	-----------

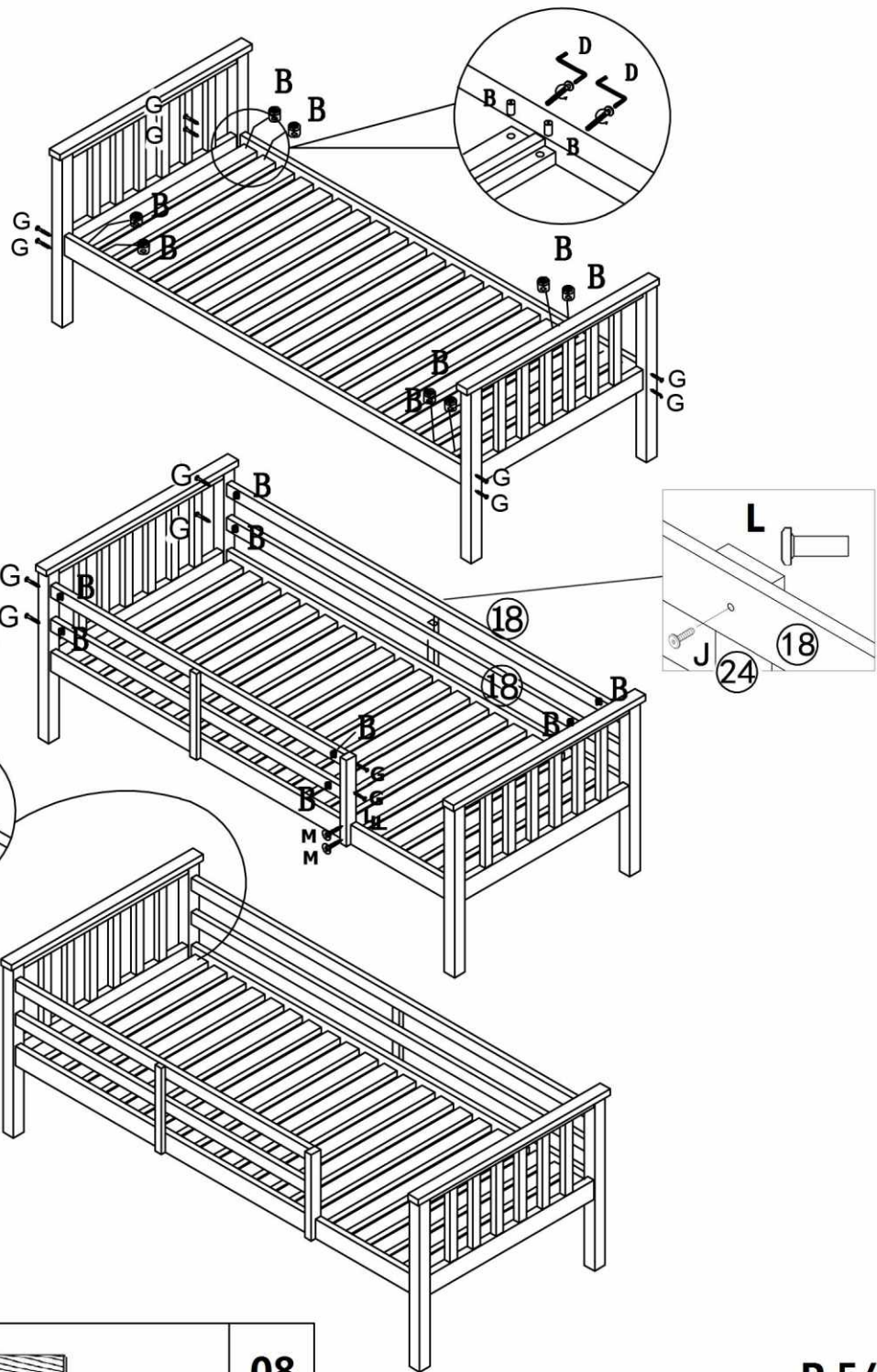
A	 15mm M6x100 mm	08
B		08
G	 15mm M6x80mm	06




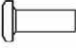





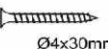


P 4/8

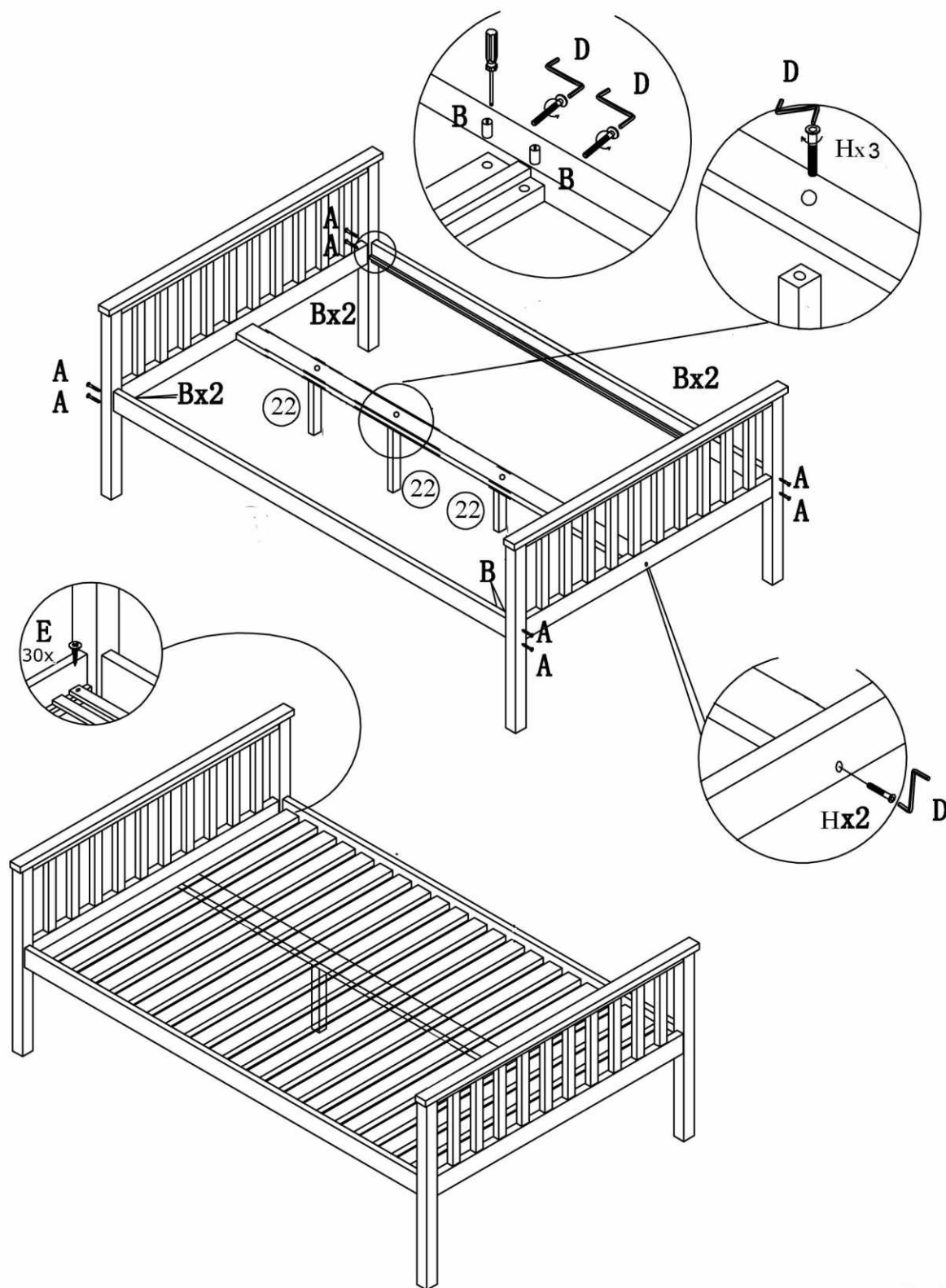
C	 Ø8x30mm	20
----------	--	-----------

A	 15mm M6x100 mm	08
B		08
G	 15mm M6x80mm	08

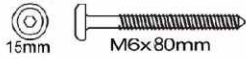



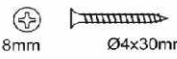
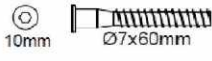
C	 Ø8x30mm	08
B		16
M	 15mm M6x50mm	02
L	 15mm	08

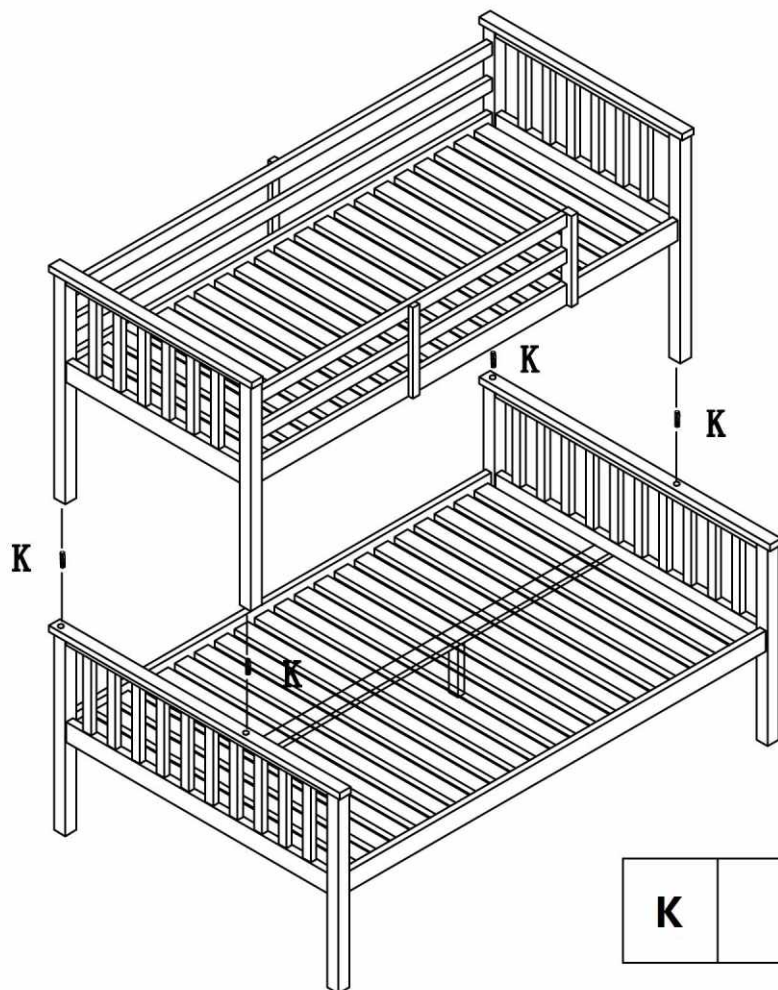
P 5/8			
G	 15mm	 M6x80mm	16
E	 8mm	 Ø4x30mm	30
J	 15mm	 M6x30mm	06




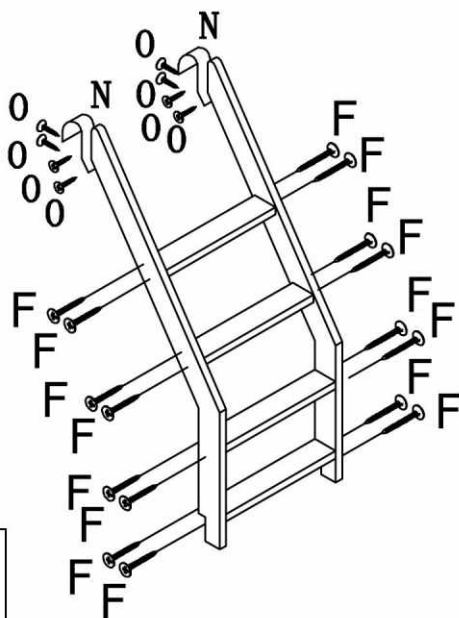
P 6/8




G	 15mm M6x80mm	08
B		08

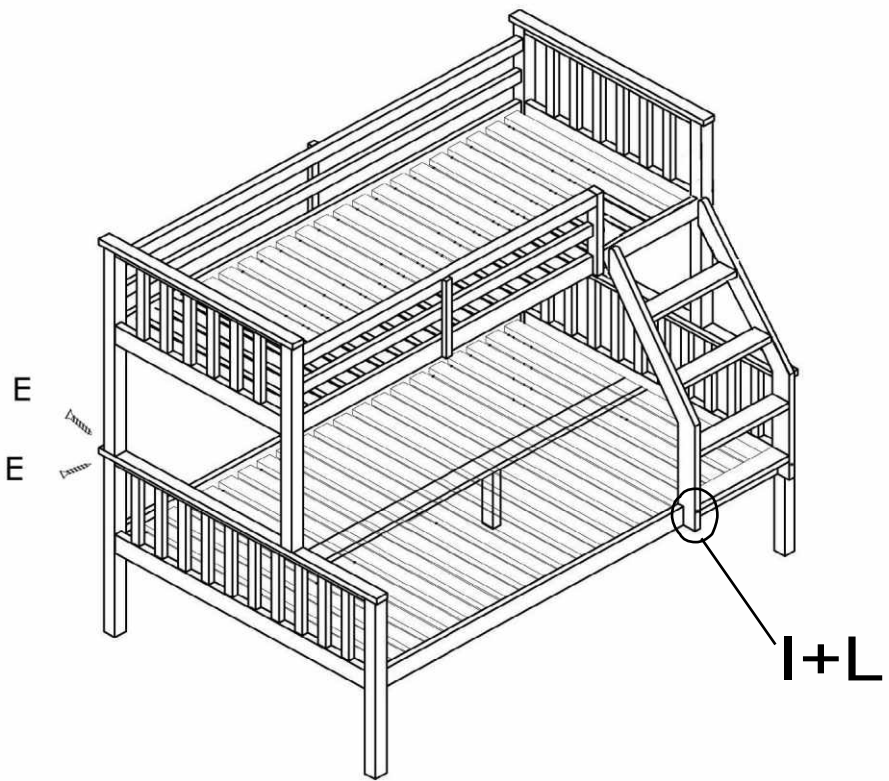
E	 8mm Ø4x30mm	30
H	 10mm Ø7x60mm	05






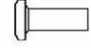


K	 Ø8x30mm	04
----------	--	-----------



F	 15mm M6x70mm	16
N		02
O	 7mm Ø4x16mm	08



E	 	06
I	 	02
L	 	02

