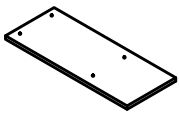
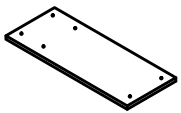
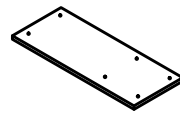
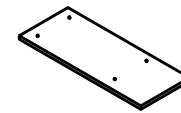

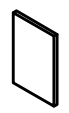





ERDEM TYP 3 montážny návod BS1059

					
\#1:\ 1p	\#2:\ 2p	\#3:\ 2	\#4:\ 1	\#5:\ 5p	\#6:\ 5p
					
\#7:\ 5p	\#8:\ 30p	\#9:\ 30p			

