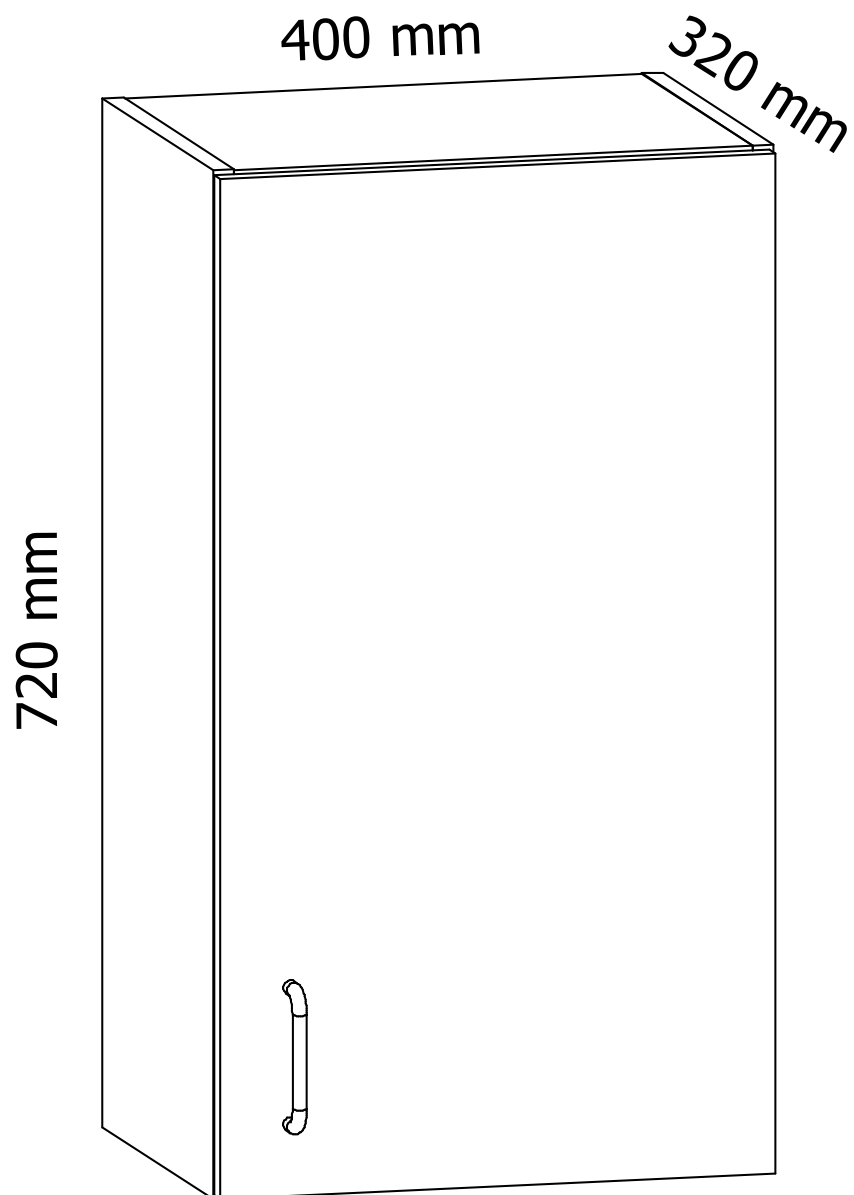


G40



PL: INSTRUKCJA MONTAŻU

EN: ASSEMBLY MANUAL

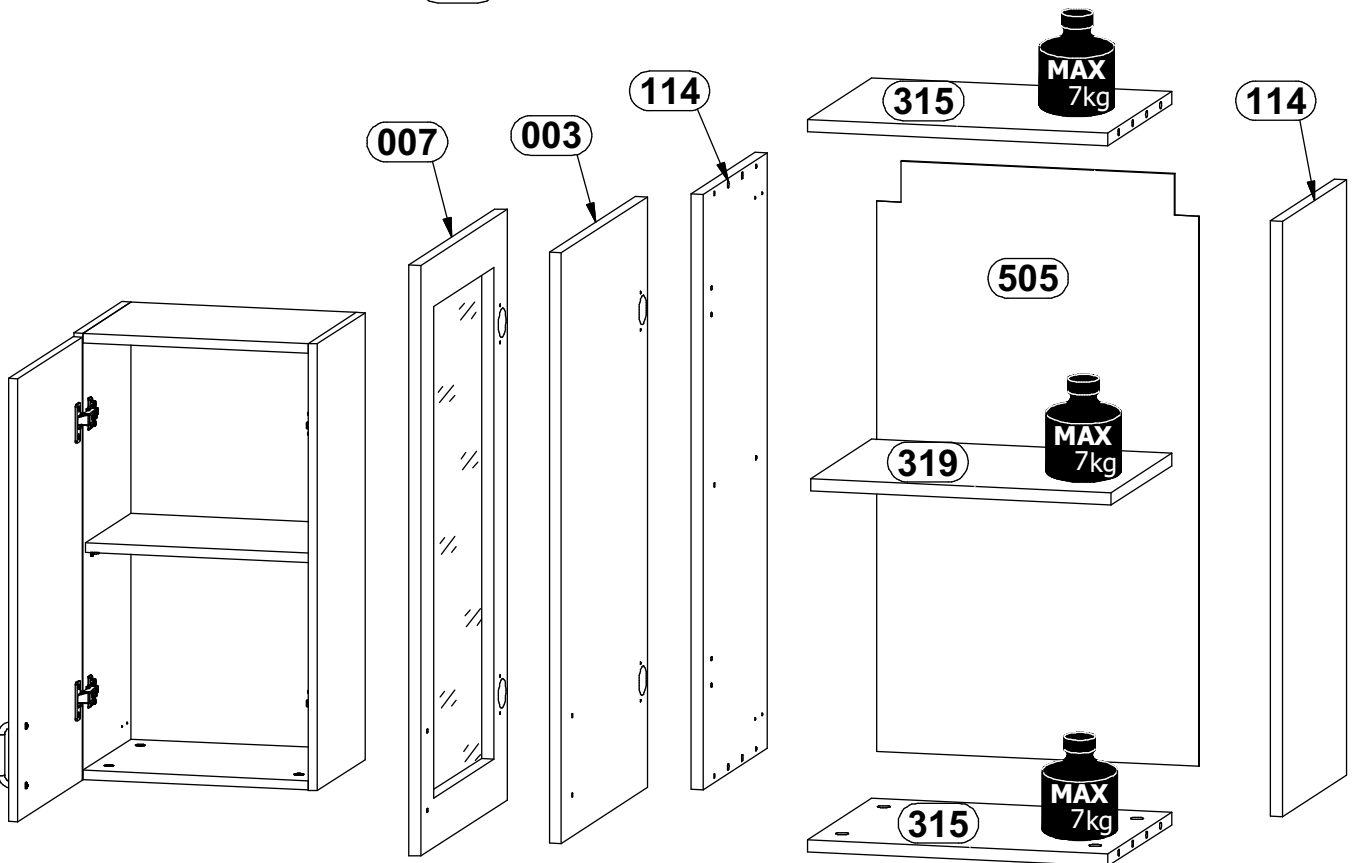
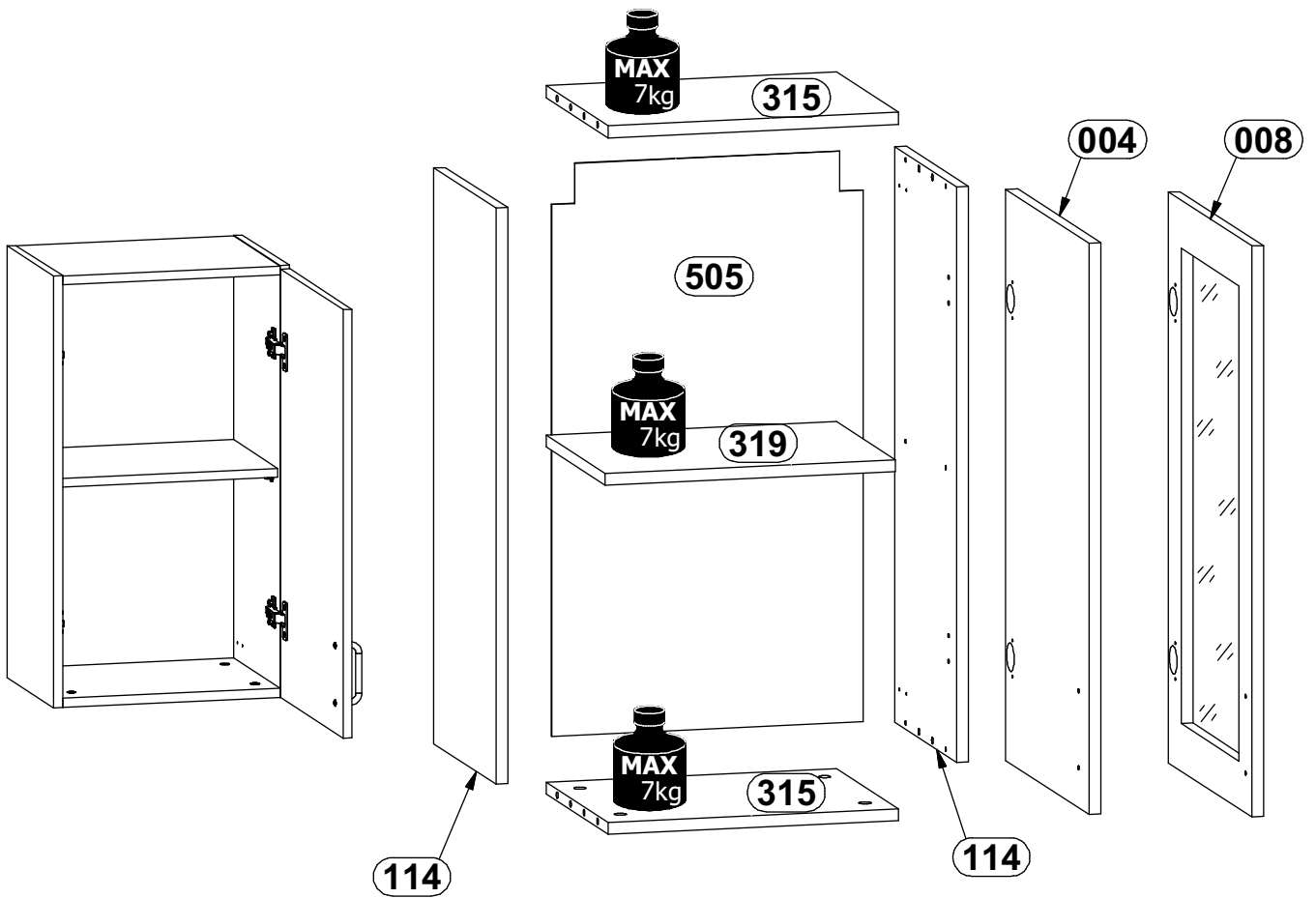
CZ: PŘÍRUČKA PRO MONTÁŽ

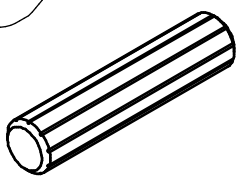
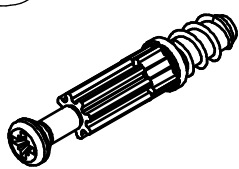
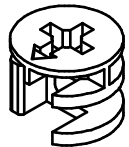
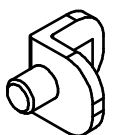
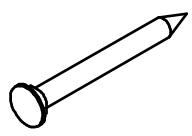
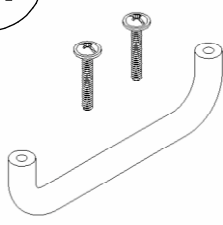
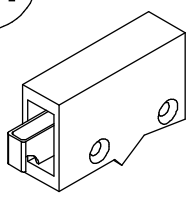
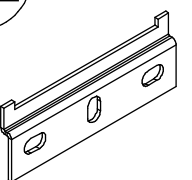
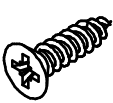
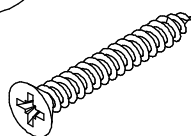
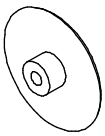
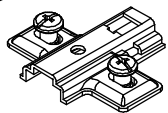
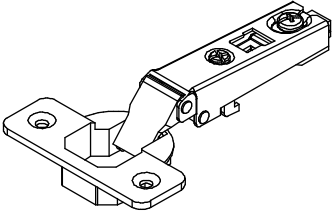
SK: PRÍRUČKA PRE MONTÁŽ

DE: MONTAGEANLEITUNG

SR: UPUTSTVO ZA INSTALACIJU

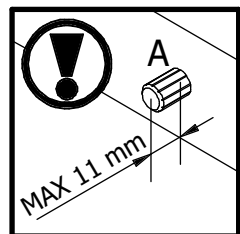
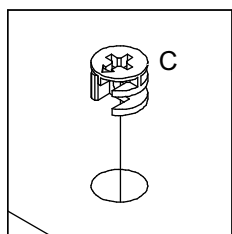
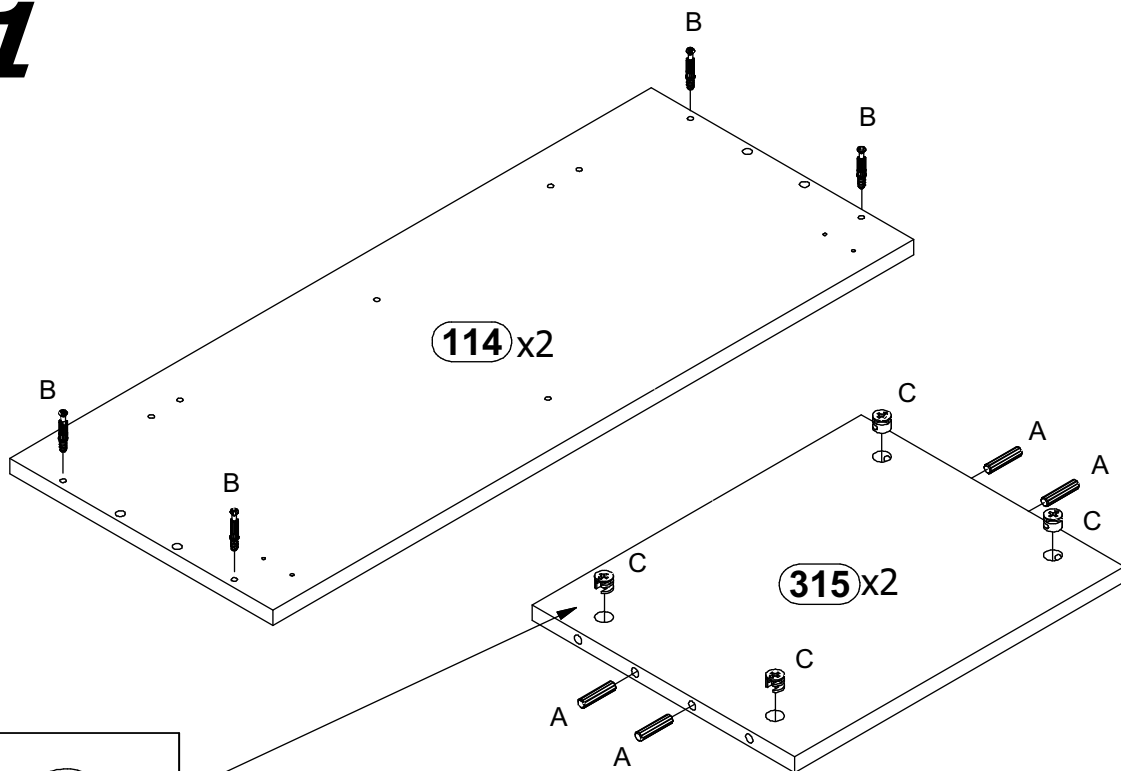
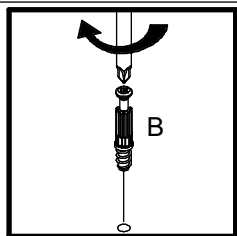
G40



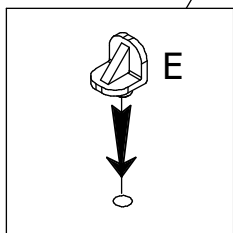
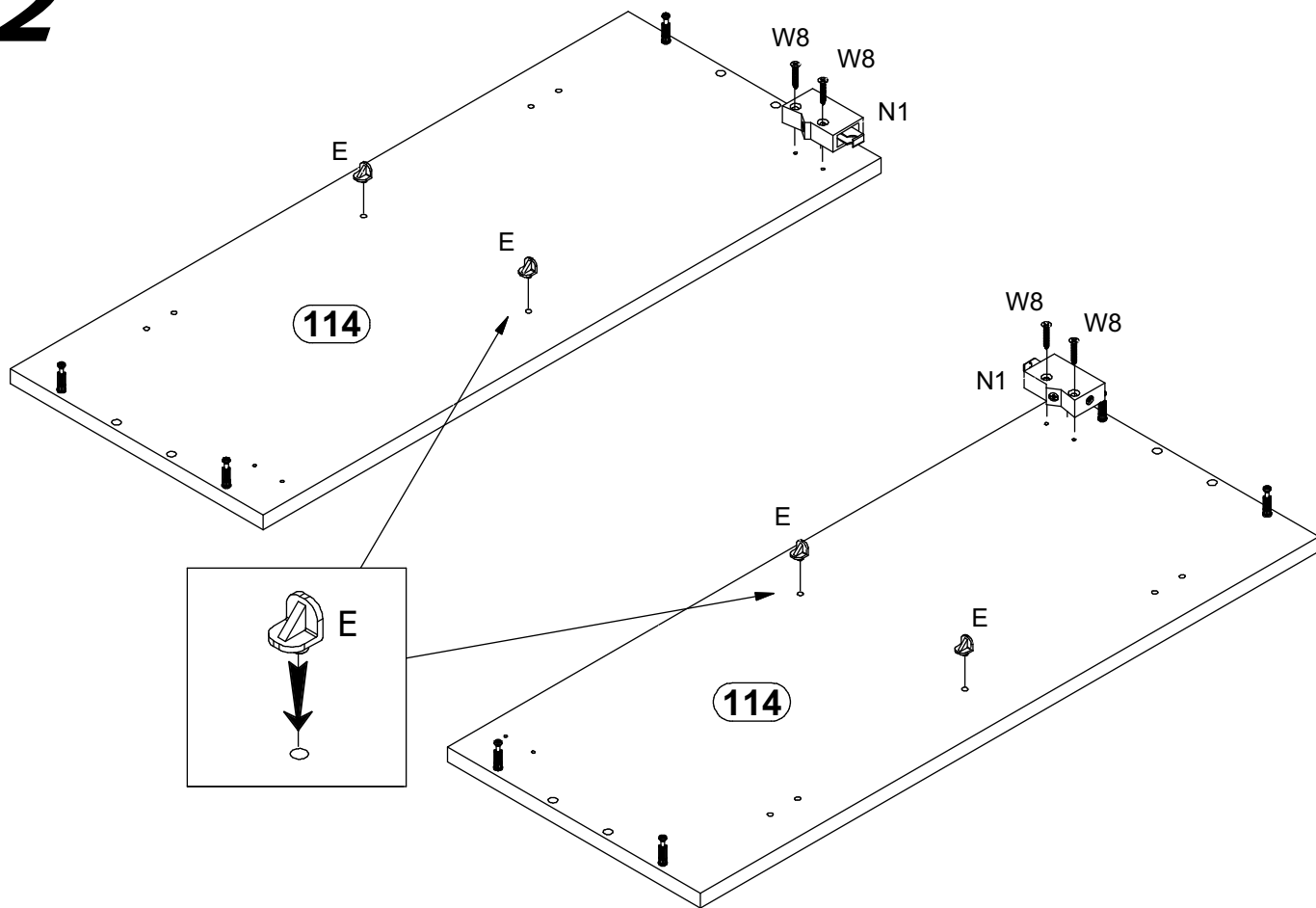
| | | | |
|---|--|---|---|
| <p>A x8</p>  <p>Ø8x35mm</p> | <p>B x8</p>  | <p>C x8</p>  <p>Ø15x12mm</p> | <p>E x4</p>  |
| <p>G x20</p>  | <p>M x1</p>  | <p>N1 x2</p>  | <p>N2 x2</p>  |
| <p>W2 x4</p>  <p>Ø3,5x16</p> | <p>W8 x4</p>  <p>Ø4x30mm</p> | <p>Y x8</p>  <p>Ø18 mm</p> | |
| <p>Zc x2</p>  <p>Zc-1</p>  <p>Zc-2</p> | | | |



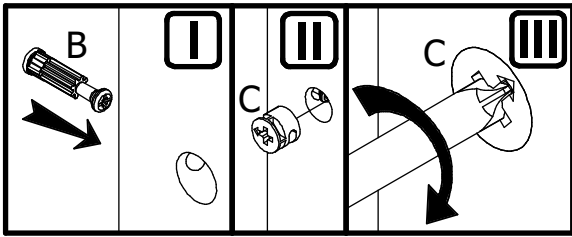
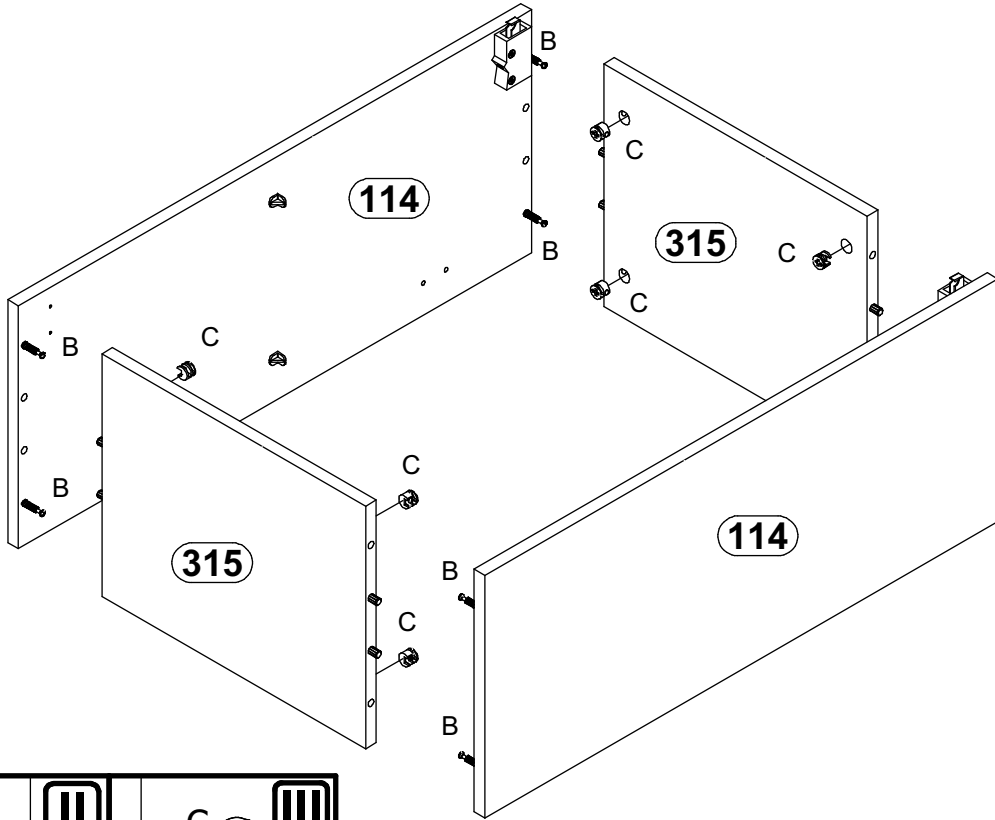
1



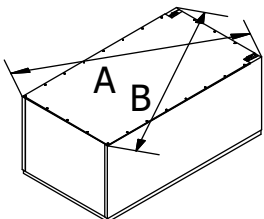
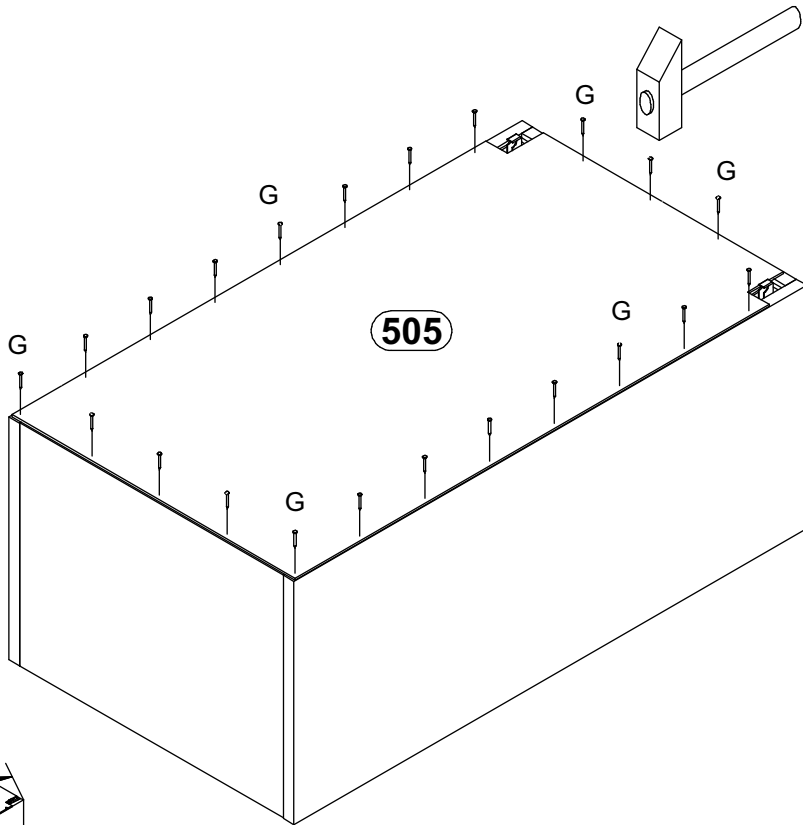
2



3



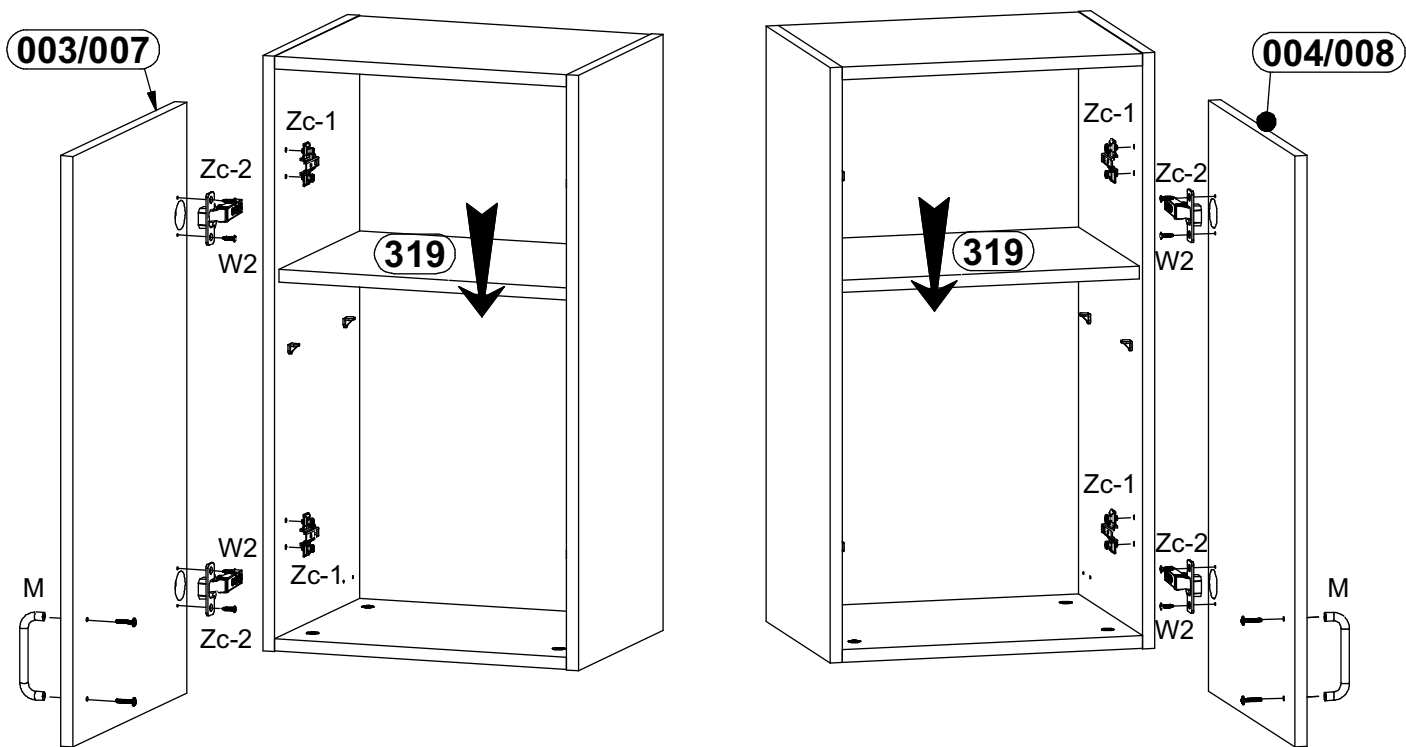
4



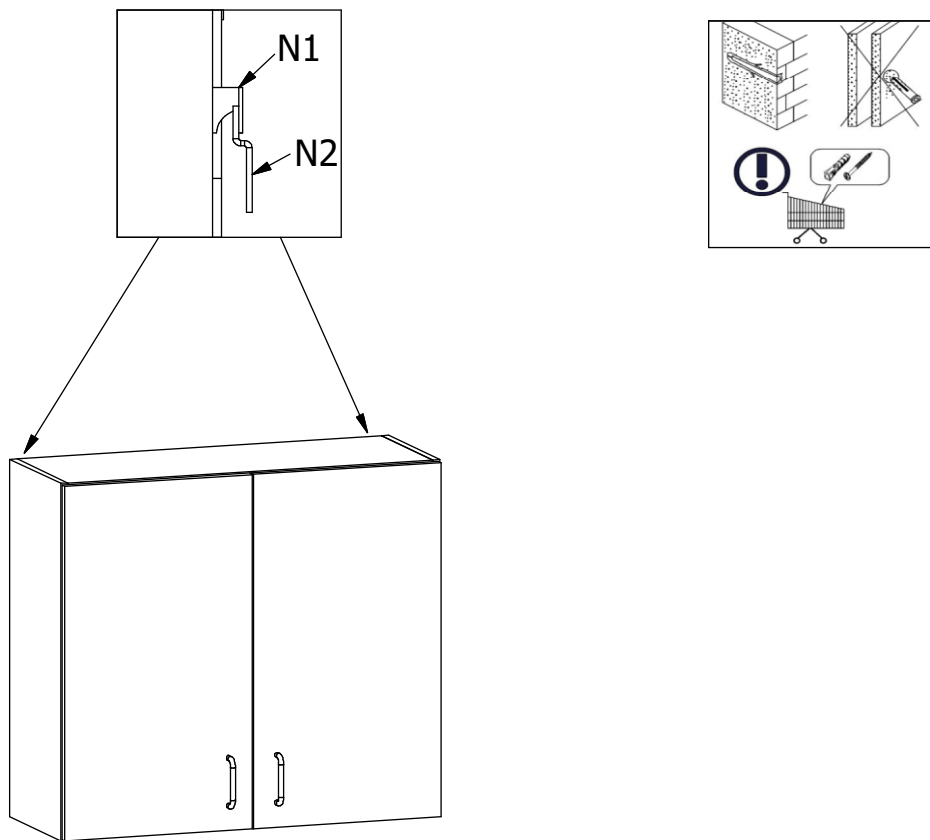
$A=B$



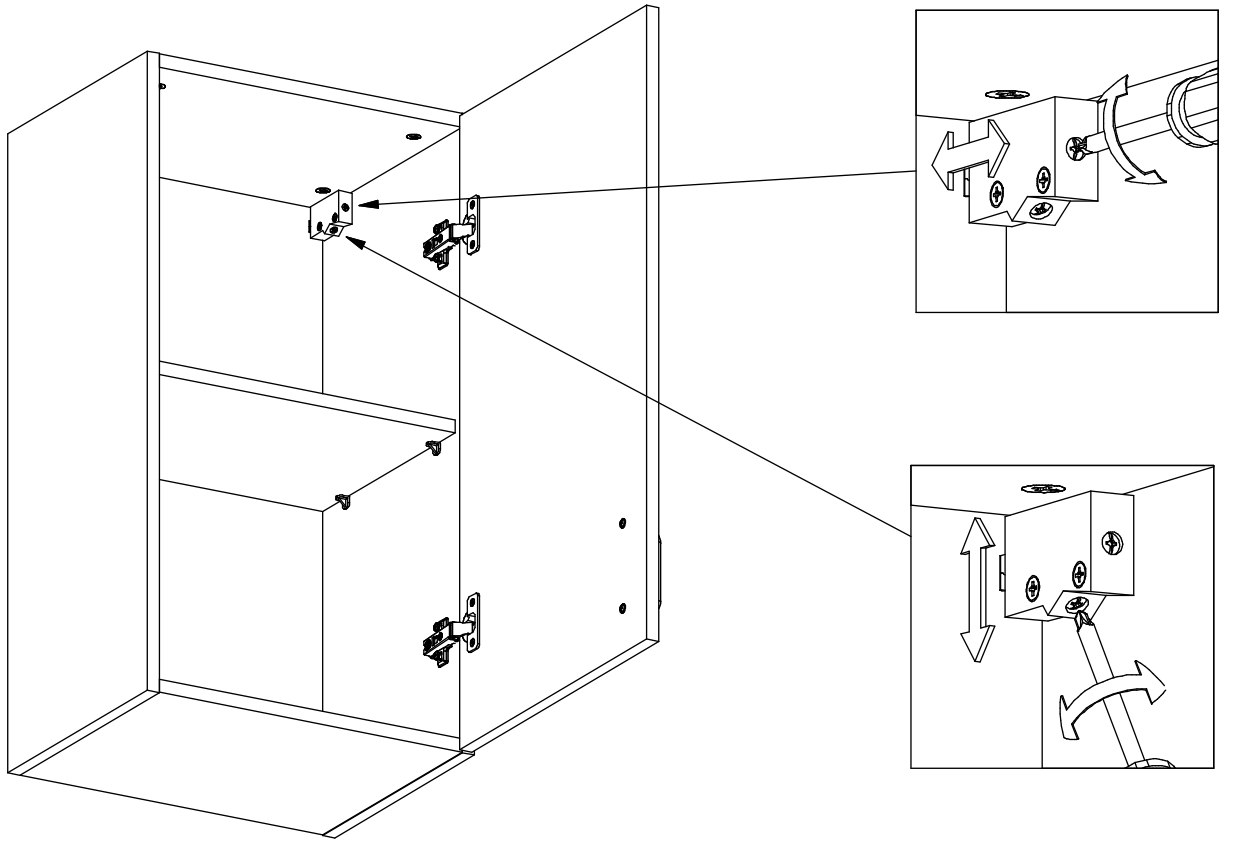
5



6



7



8

