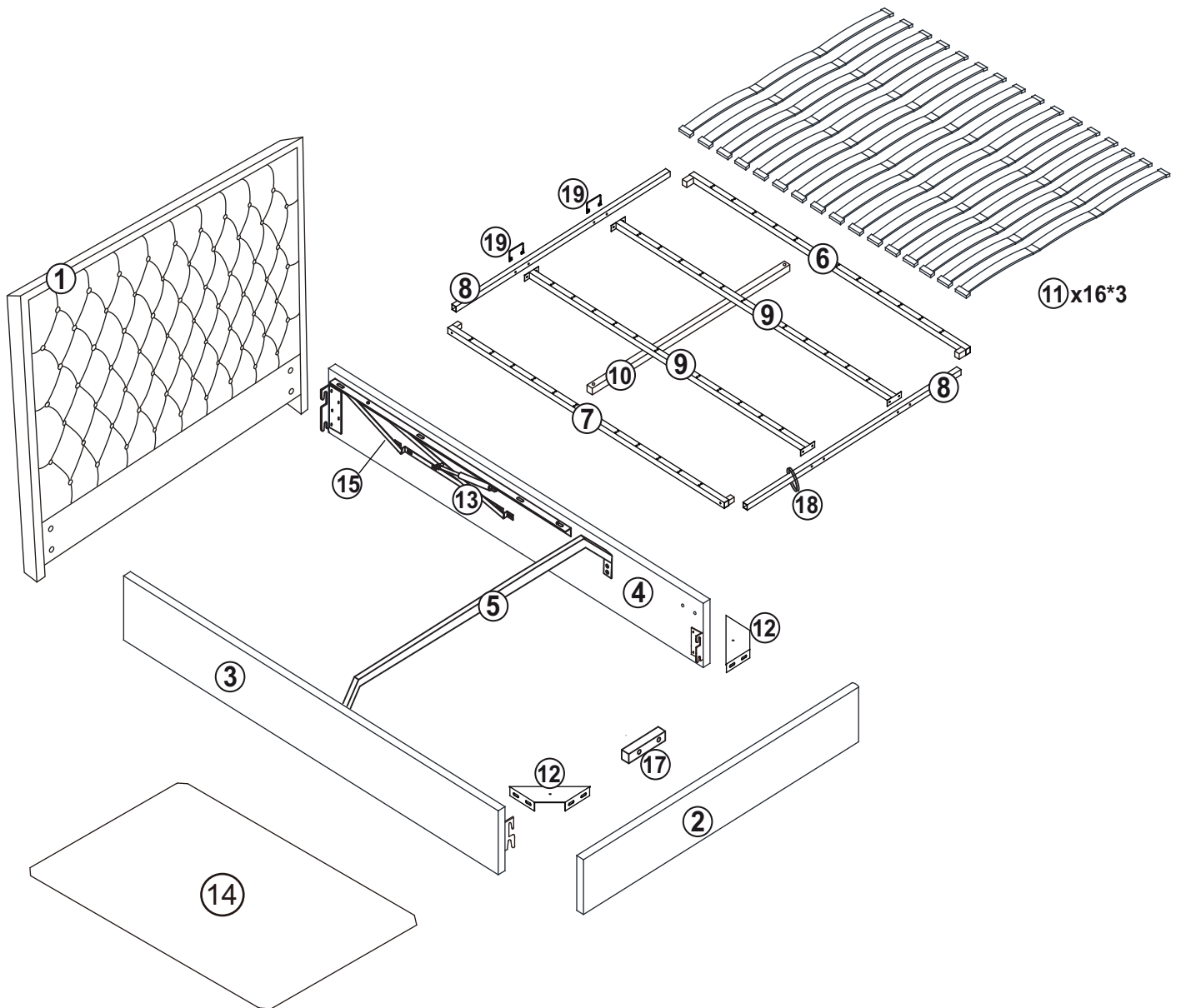
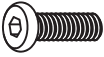
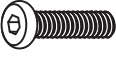











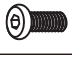

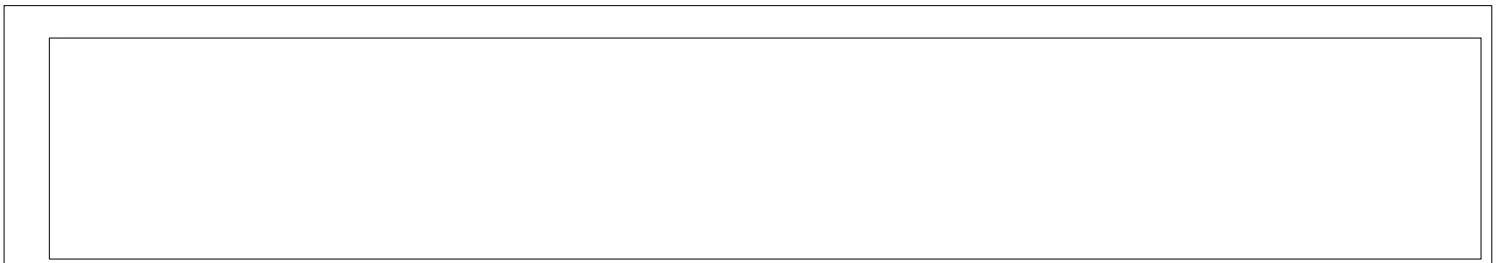


NADIA 180x200

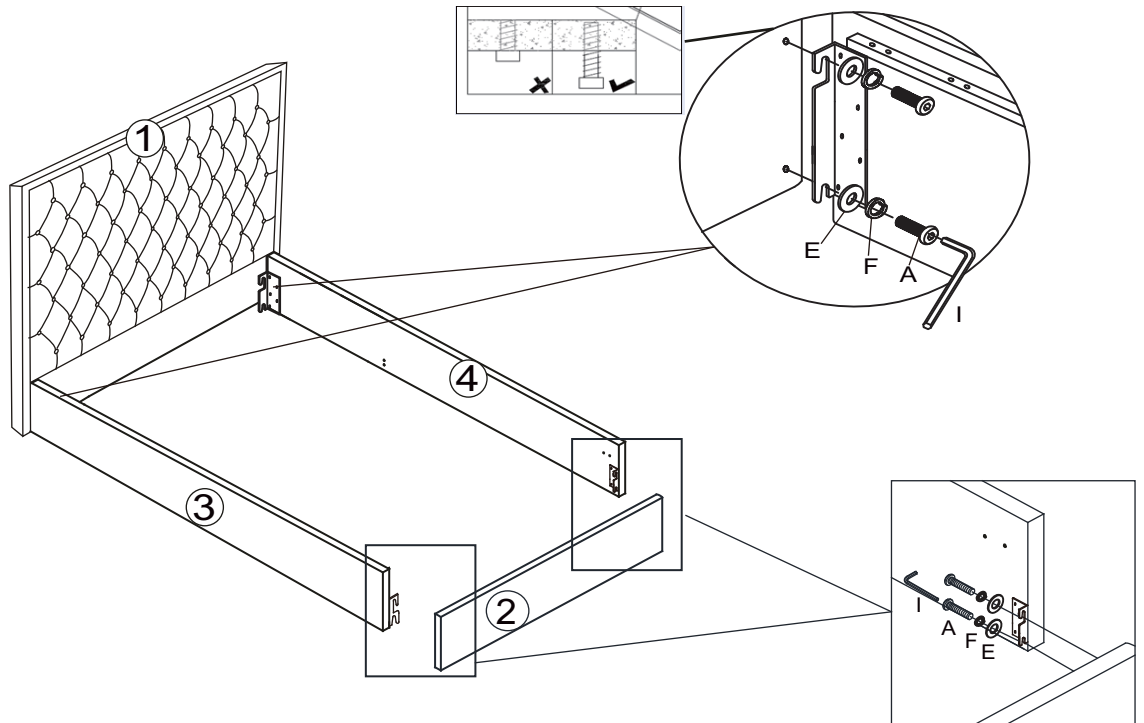


A		M8x25mm	36x
B		M8x35mm	3x
C		M8x45mm	10x
D			3x
E		∅ 18x1.0 -M8	45x
F			24x
G		M8	8x
H		M8	4x
I		S-5	1x
J		14# M8	1x
K		13# M8	1x
L		Side Plastic Cap	32x
M		Center Plastic Cap	32x
N		M6x16mm BOLT	8x
O		S-4	1x



① 1		② 1	
③ 1 (L)		④ 1 (R)	
⑤ 1		⑥ 1x	
⑦ 1x		⑧ 2x	
⑨ 2x		⑩ 1x	
⑪ 48x		⑫ 2x	
⑬ 2x		⑭ 1x	
⑮ 1x		⑯ 1x	
⑰ 1x			
⑲ 2x			

01



Ax8



Ex8

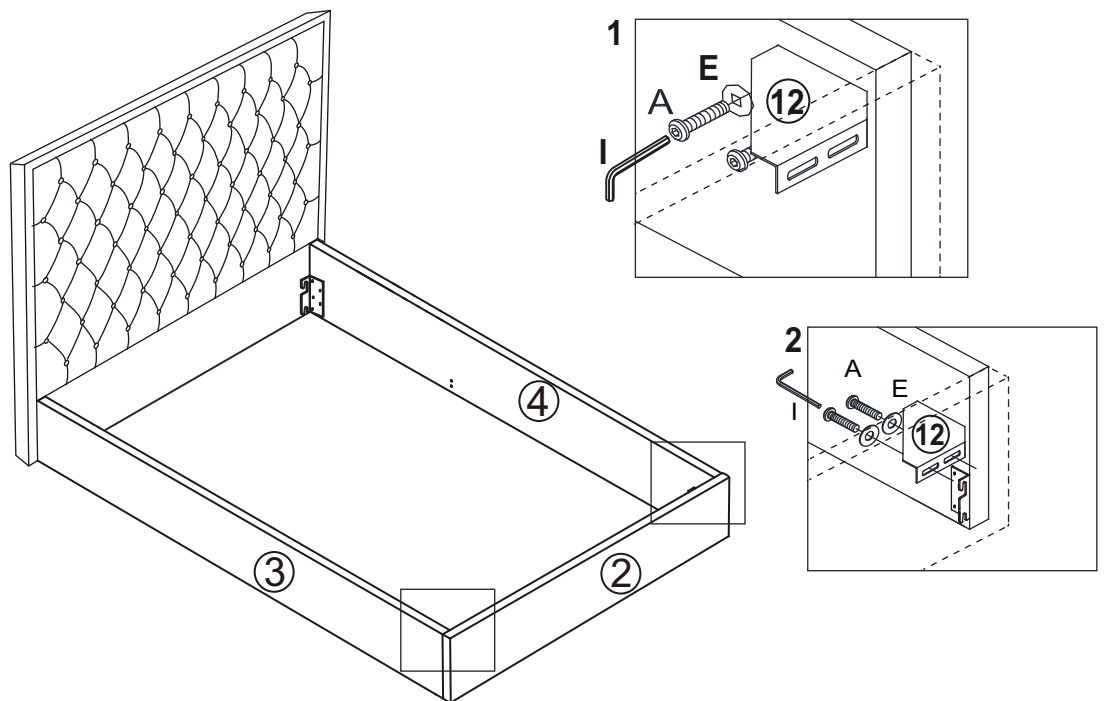


Fx8



Ix1

02



Ax8

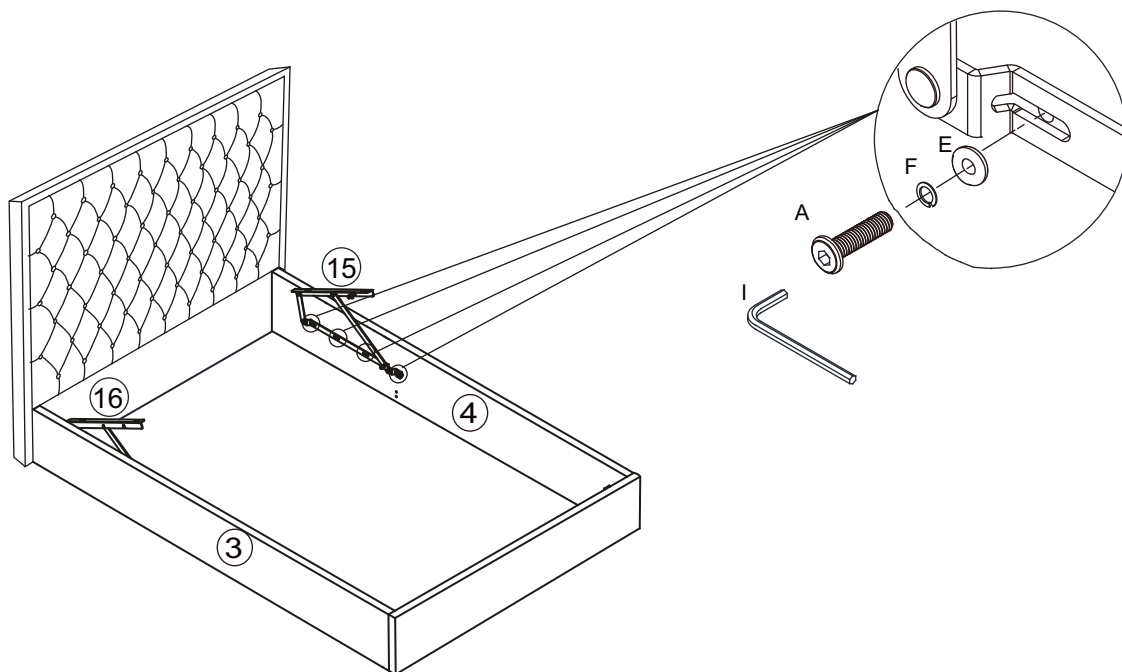


Ex8



Ix1

03



Ax8



Ex8

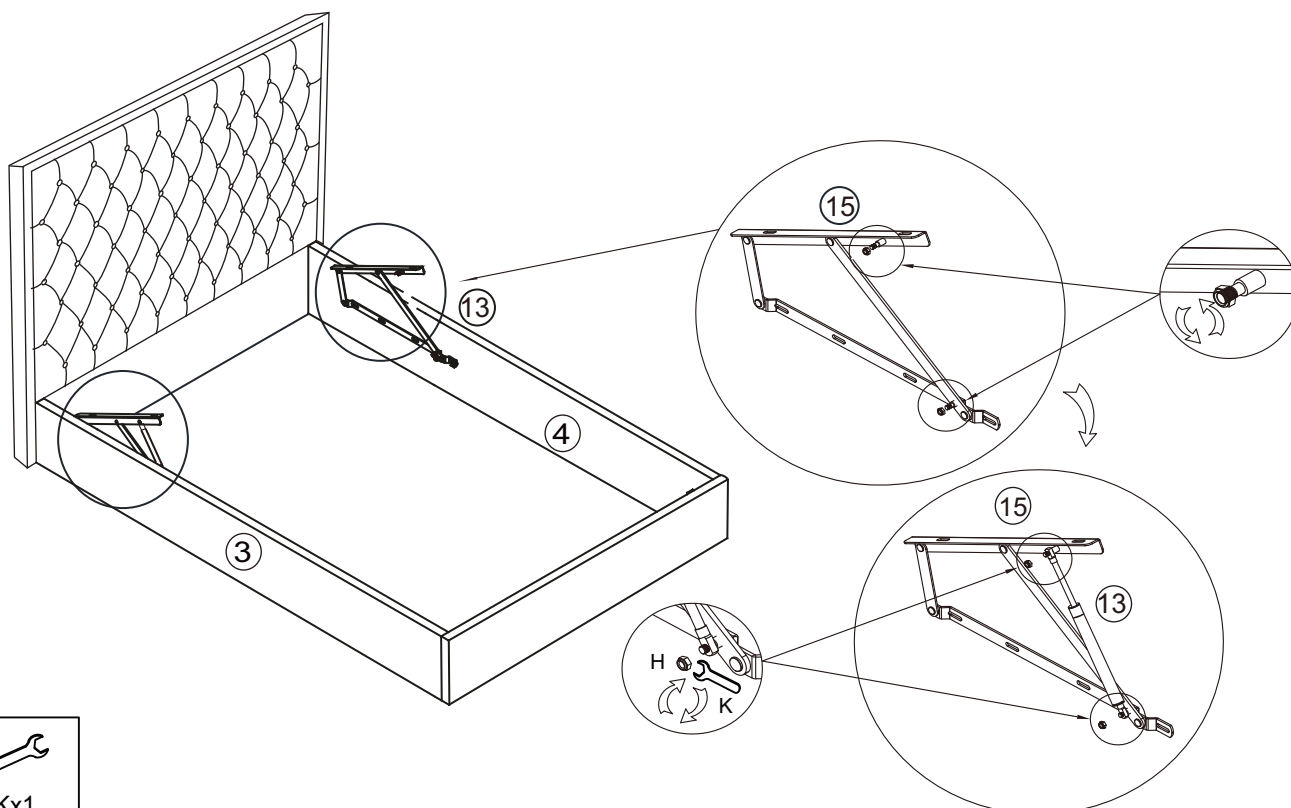


Fx8



lx1

04

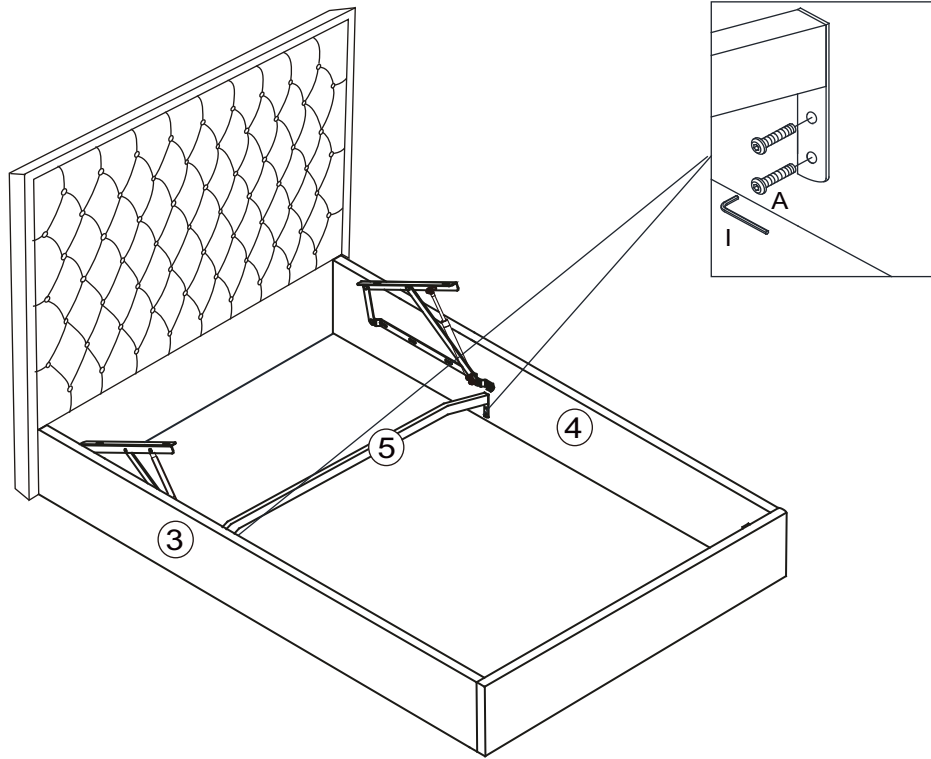


Hx4



Kx1

05

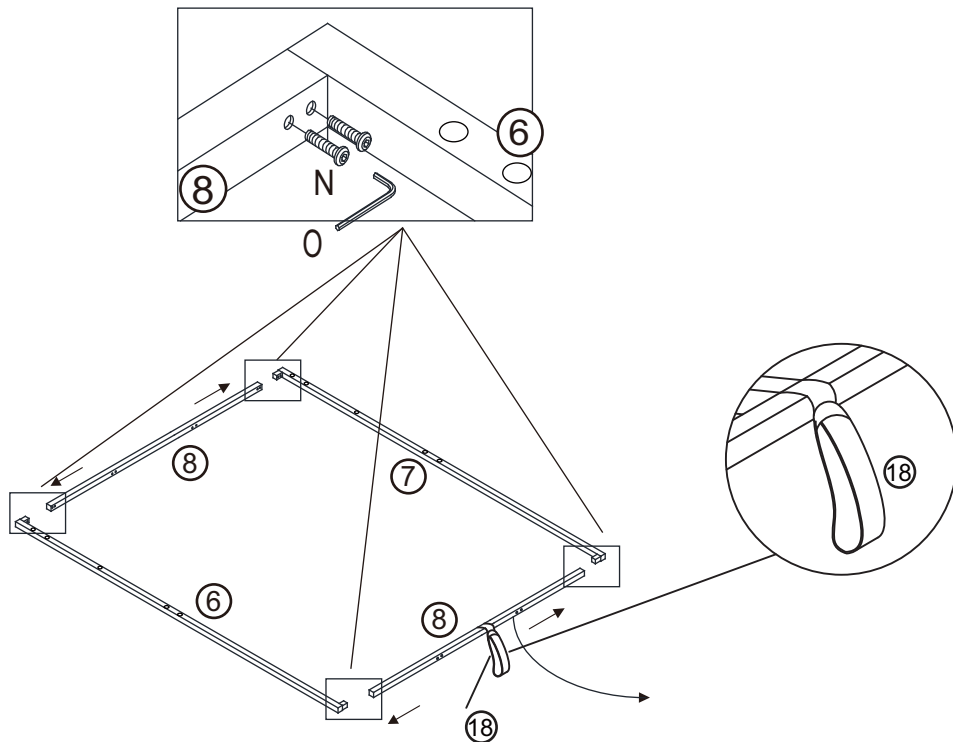


Ax4



Ix1

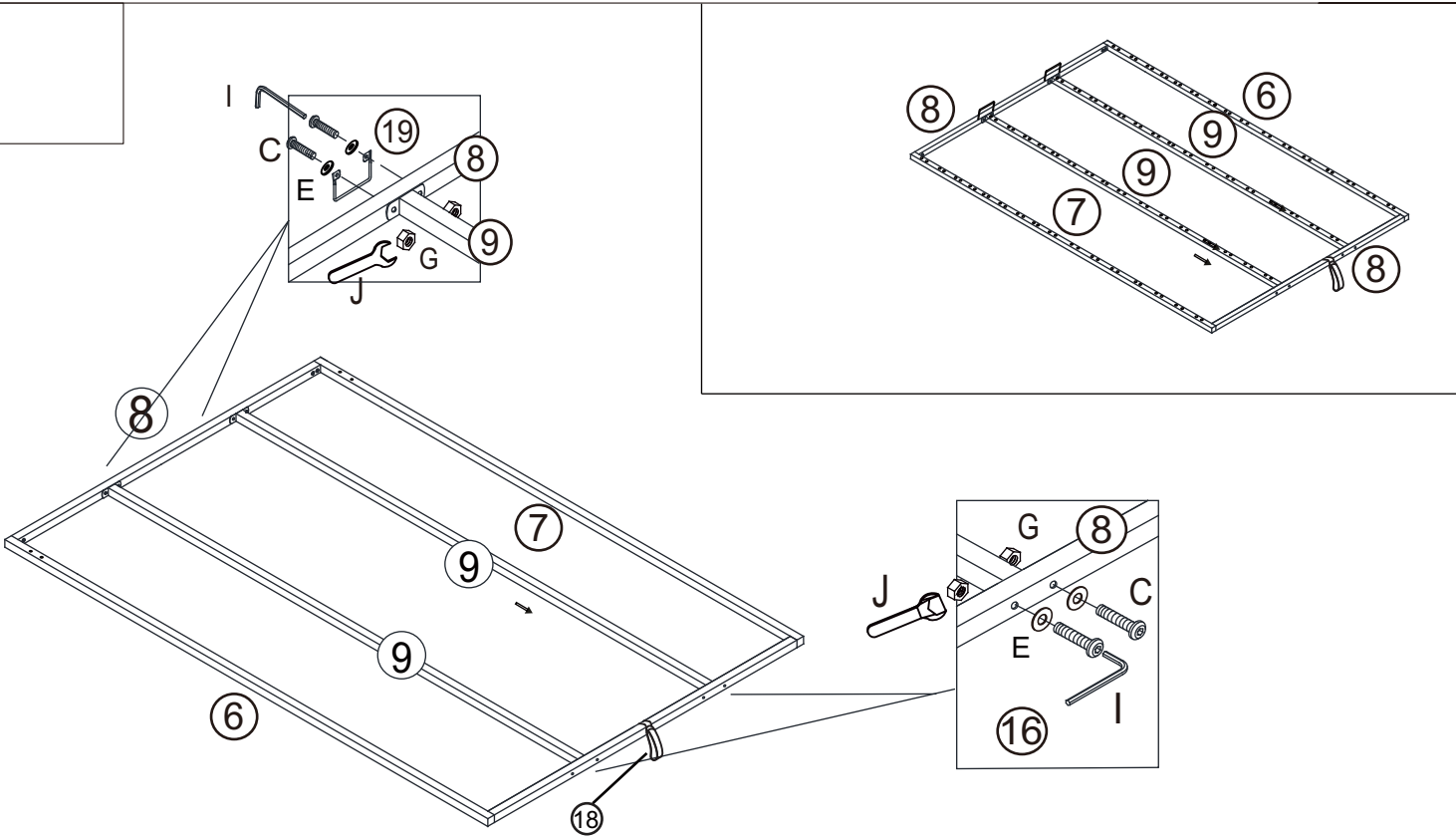
06



Nx8

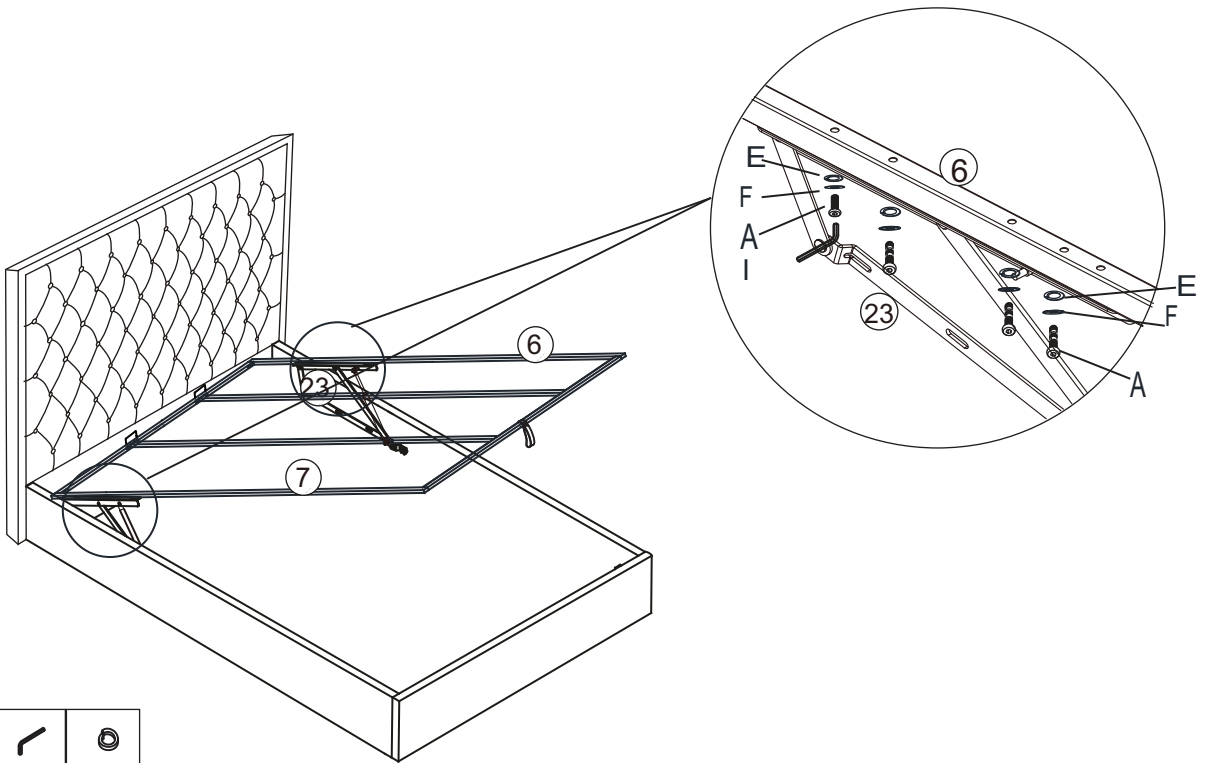


Ox1



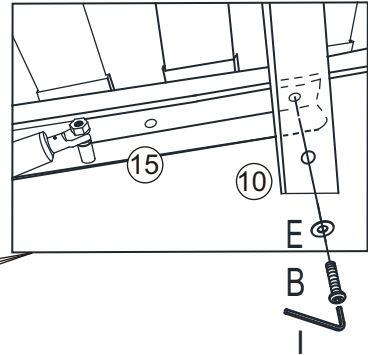
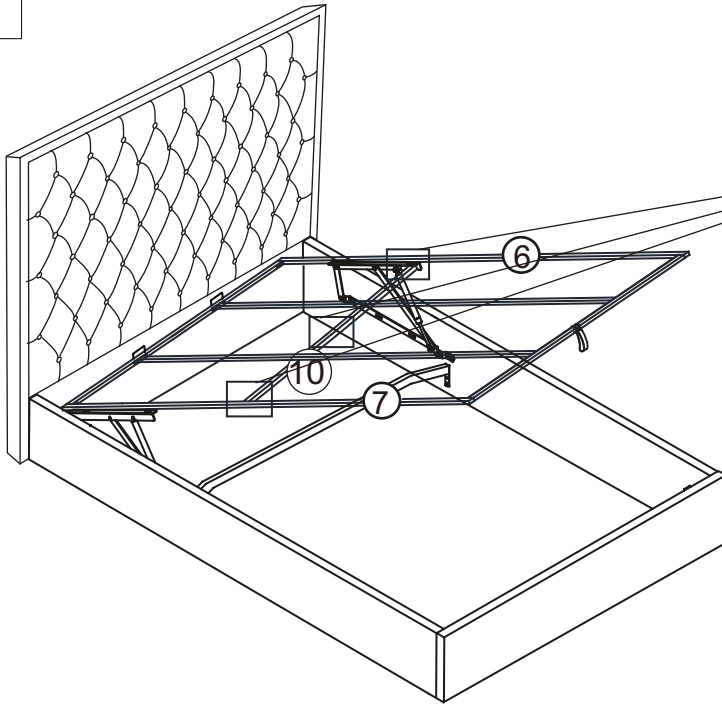
- 
Cx8
- 
Ix1
- 
Gx8
- 
Jx1
- 
Ex8

08



- 
Ax8
- 
Ex8
- 
Ix1
- 
Fx8

09



Bx3

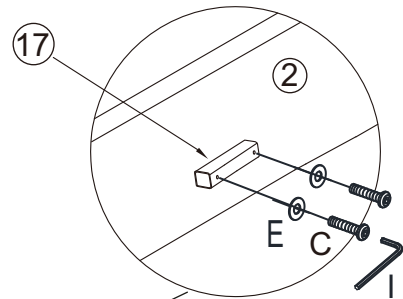
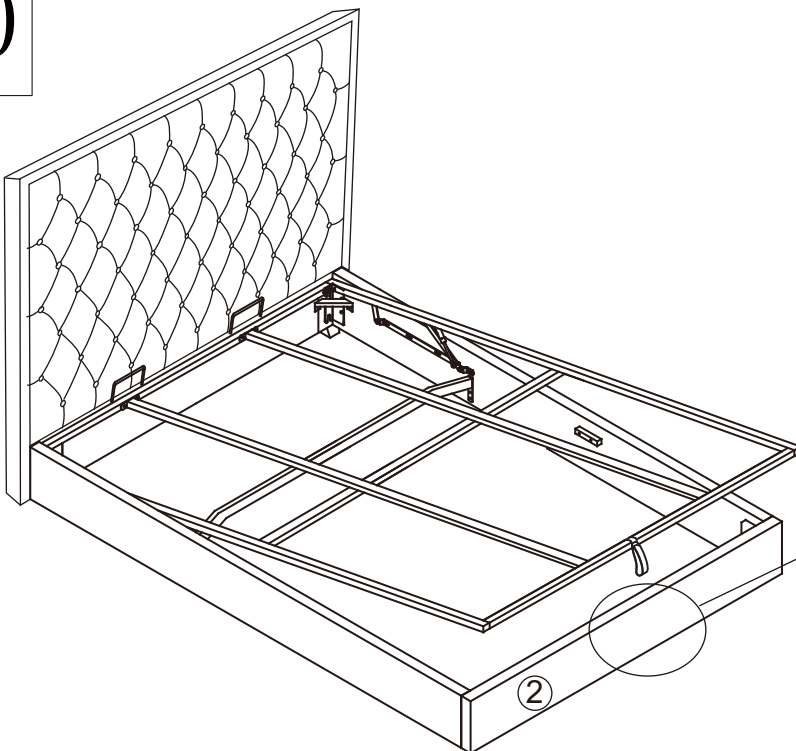


Ex3



Ix1

10



Cx2

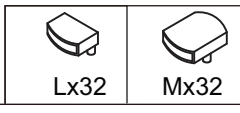
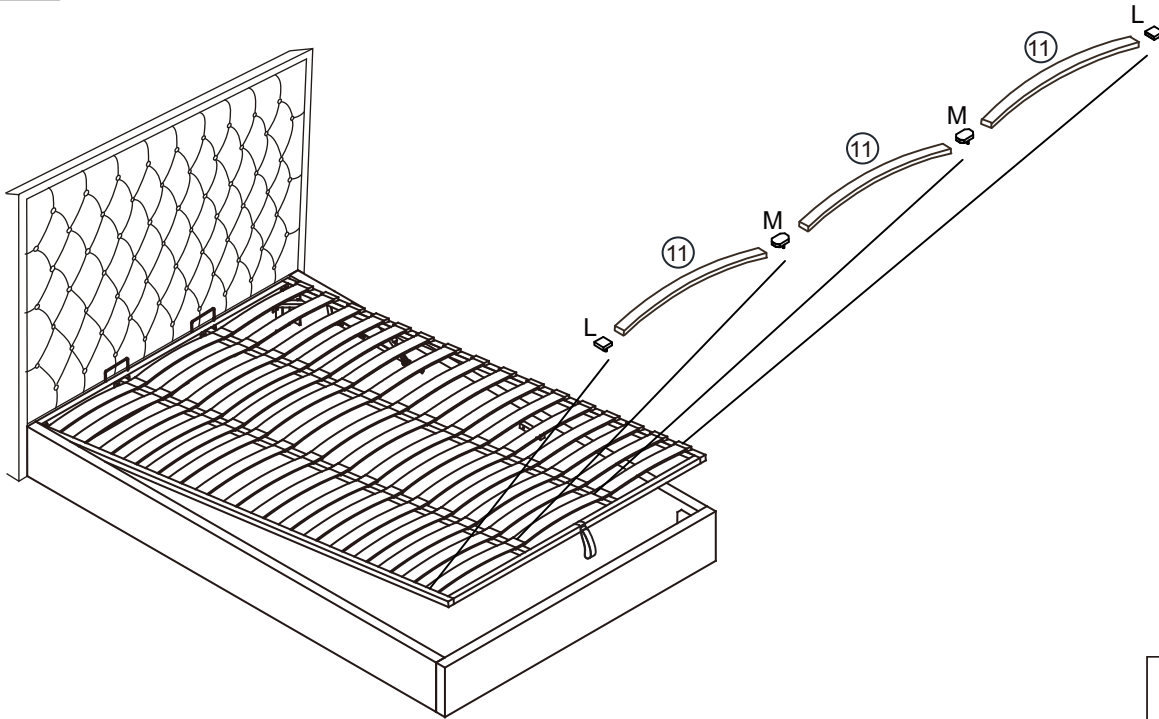


Ex2

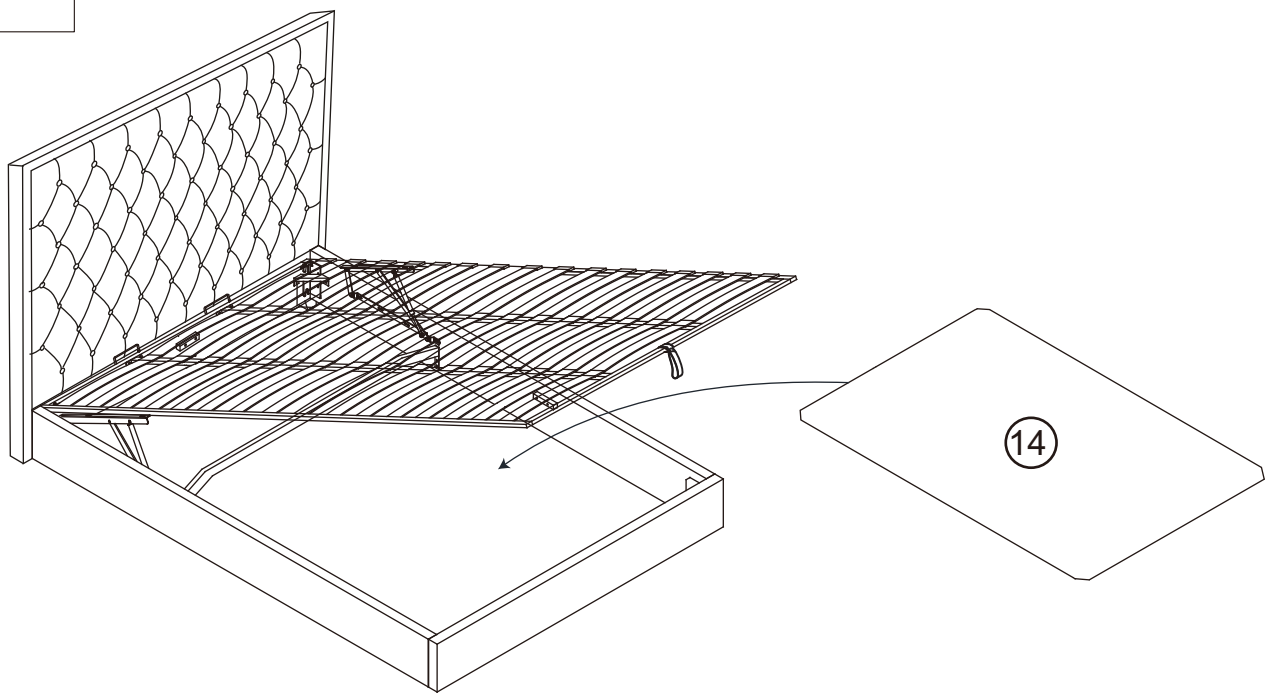


Ix1

11



12



13

