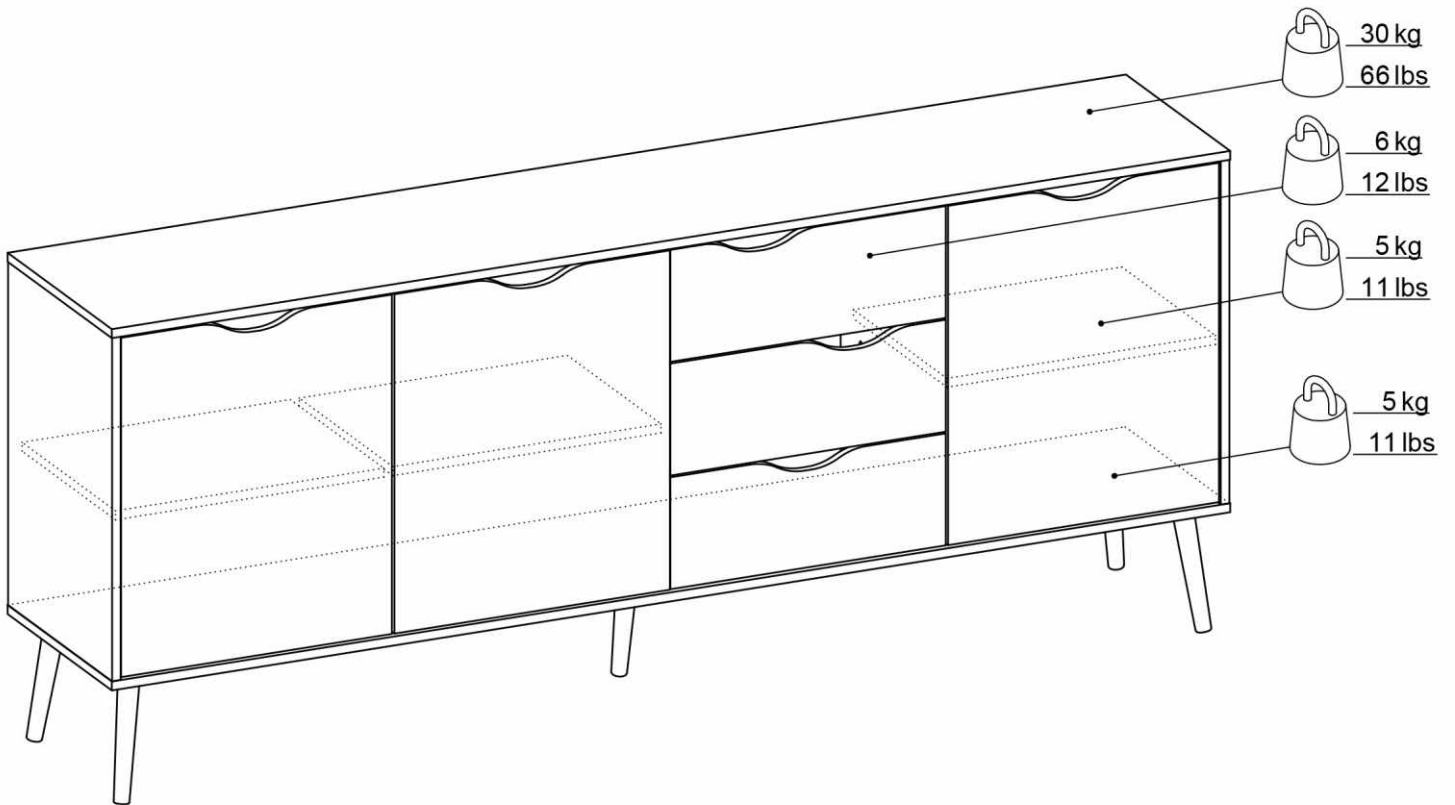
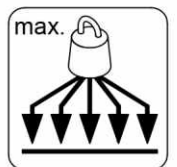
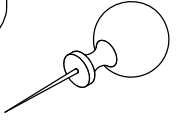
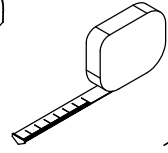
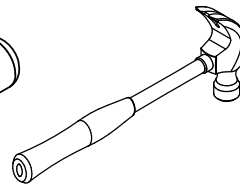
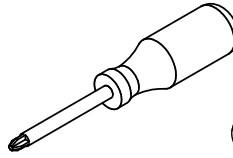
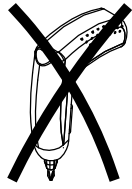
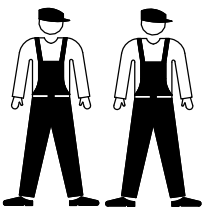


OSLO 75454

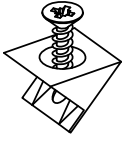


75454 D

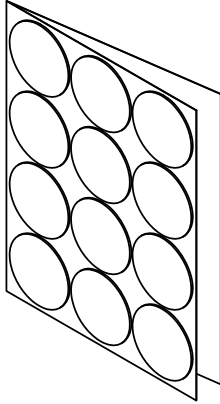




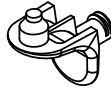
10401
x32



10901
x1



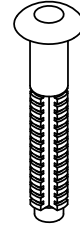
11042
x12



20203
x32



20228
x12



41404
x6



25233
x12



25503
x20



26020
x12



26071
x12



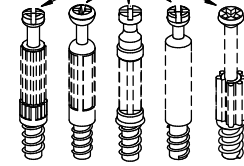
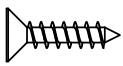
26211
x6



26214
x6



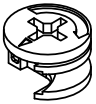
31513
x26



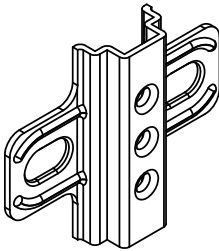
96203
x6



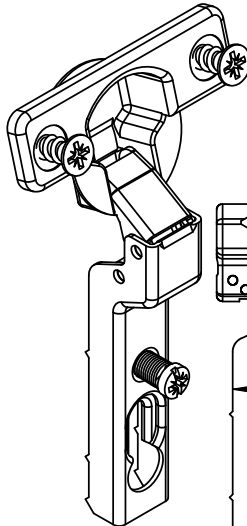
31687
x26



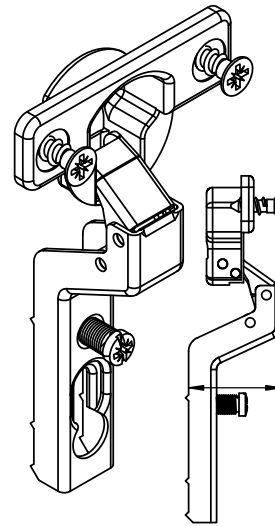
50491
x6



52291
x2



52292
x4



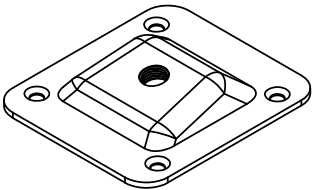
15 mm
1/2"



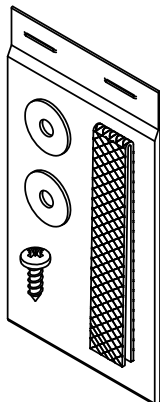
24 mm
1"

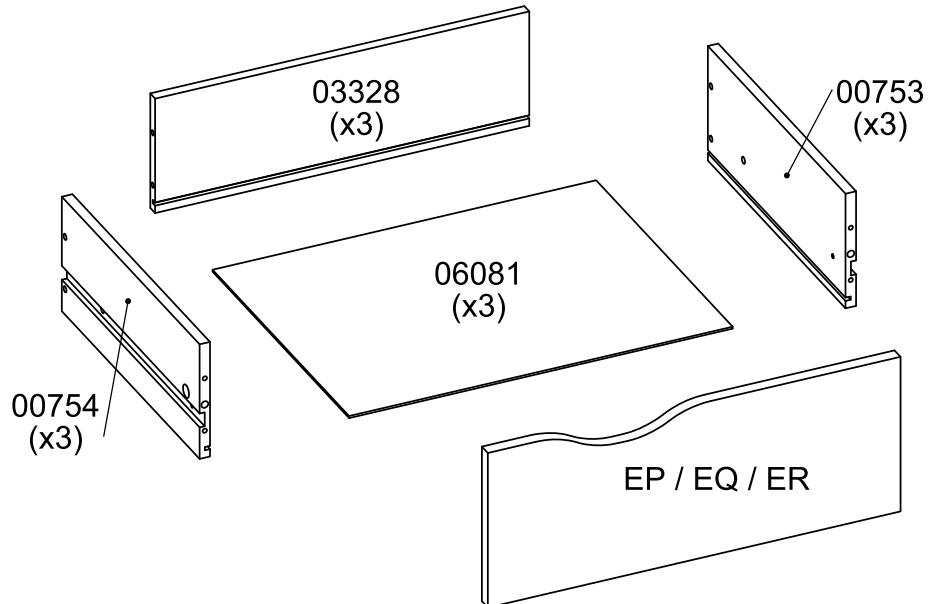
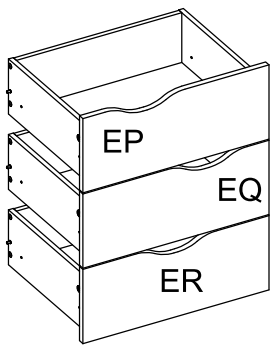
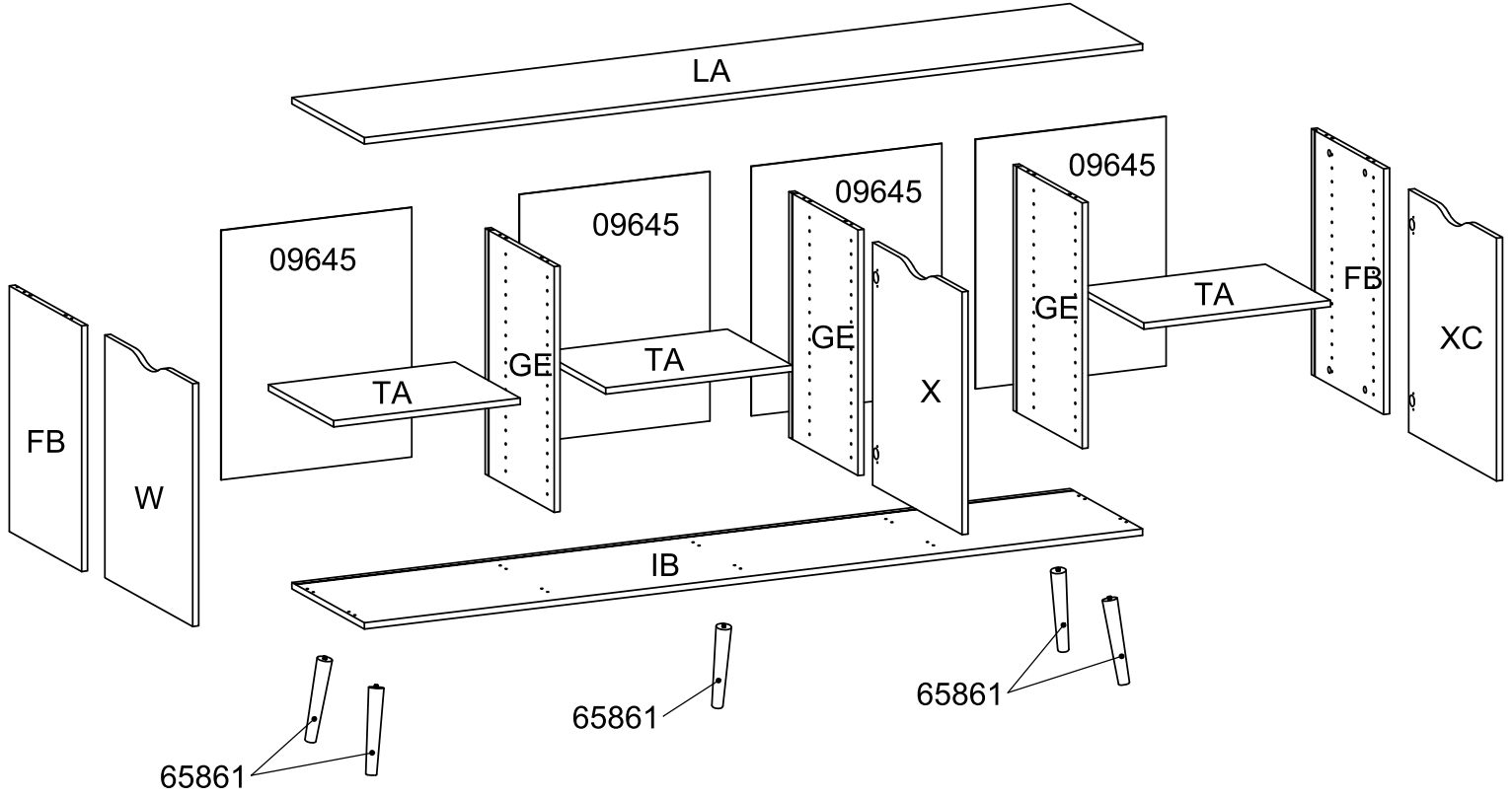
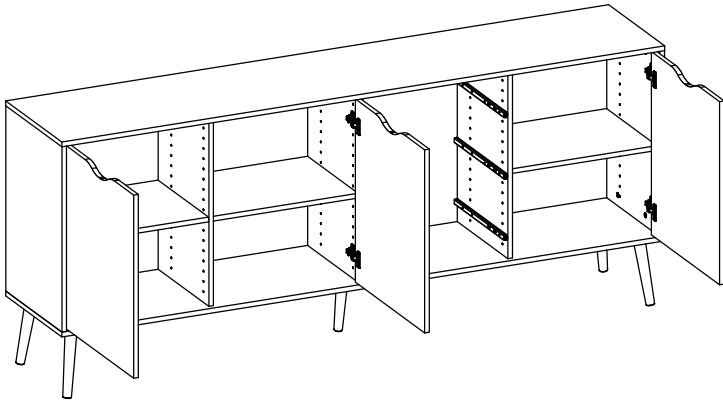


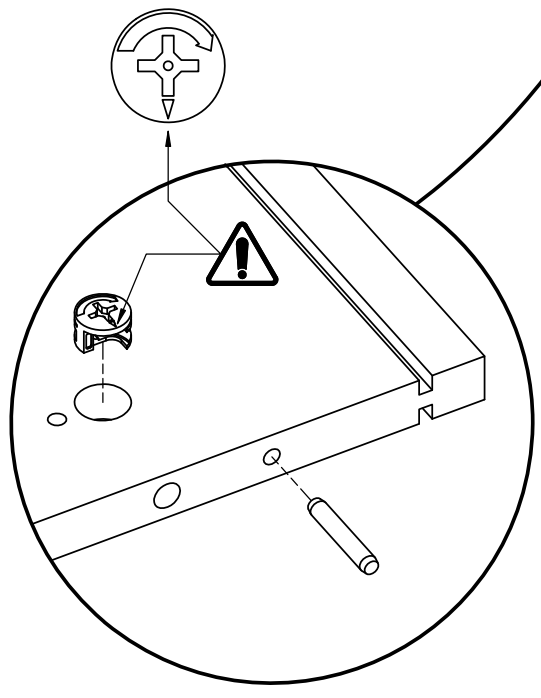
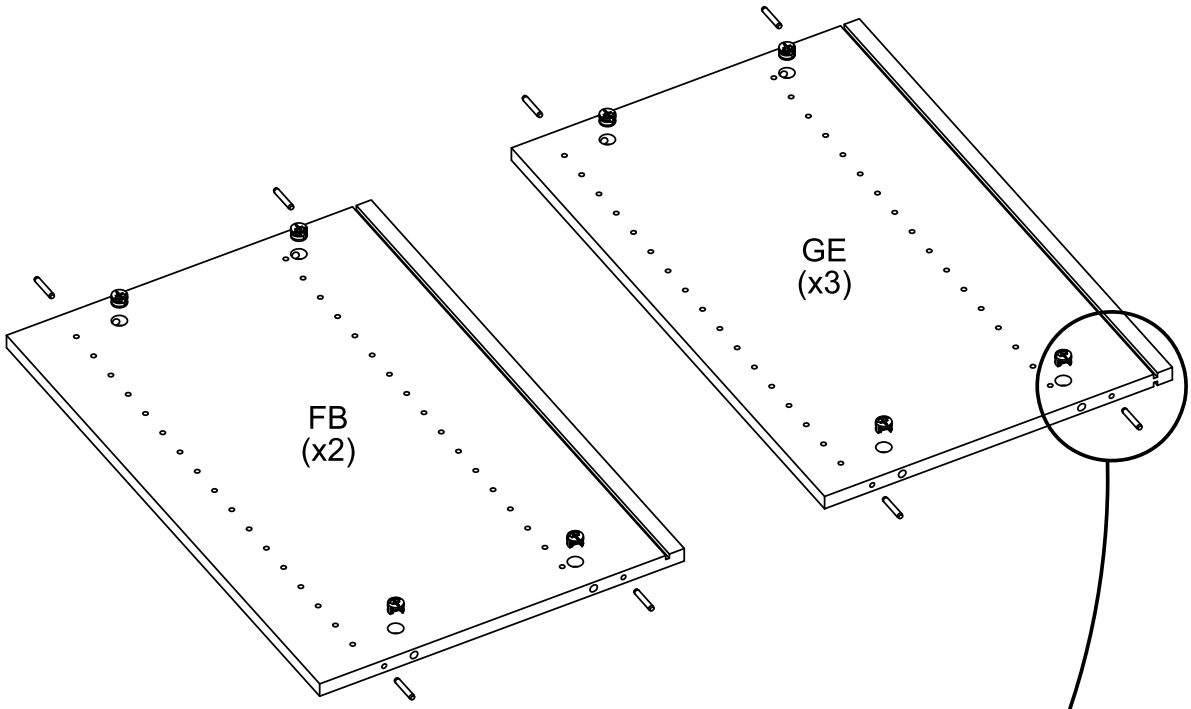
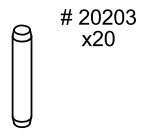
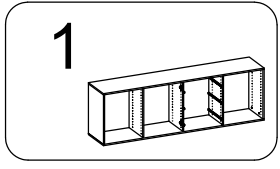
65865
x5

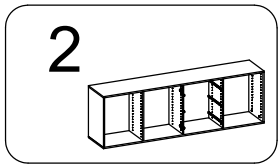


94009
x2









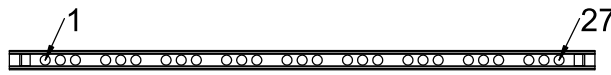
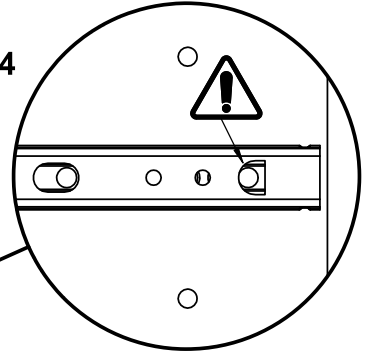
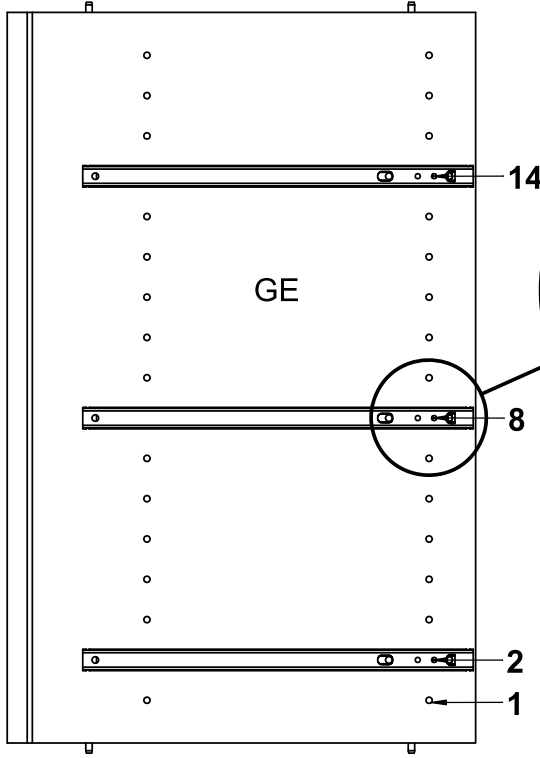
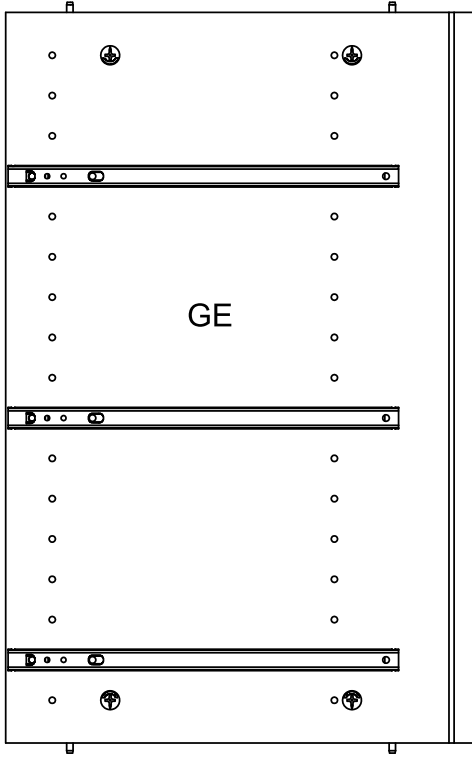
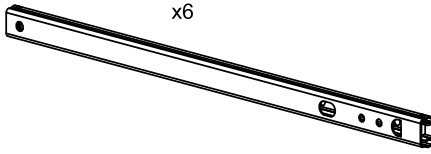
25233
x12



26020
x12



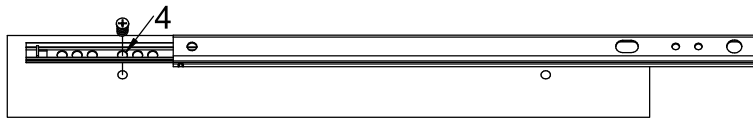
41404
x6



1.



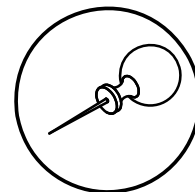
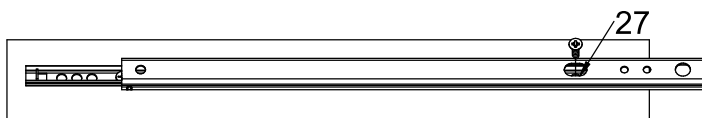
2.



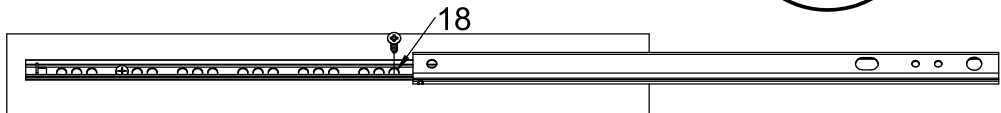
3.

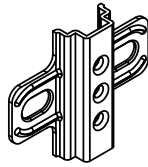
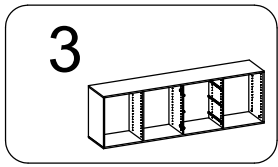


4.



5.





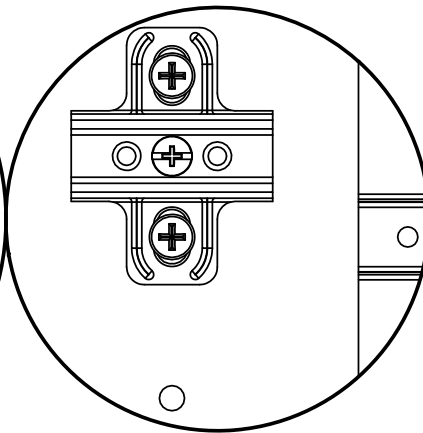
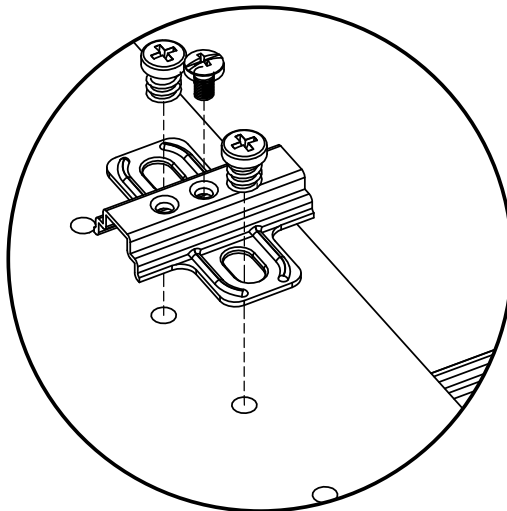
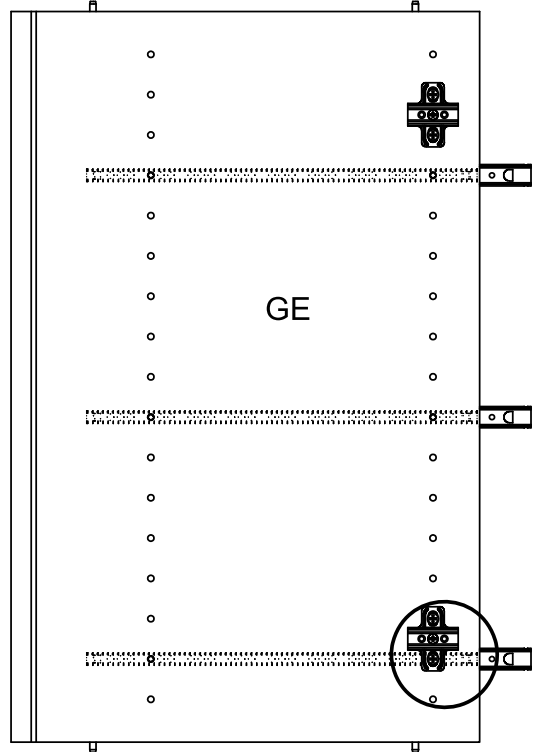
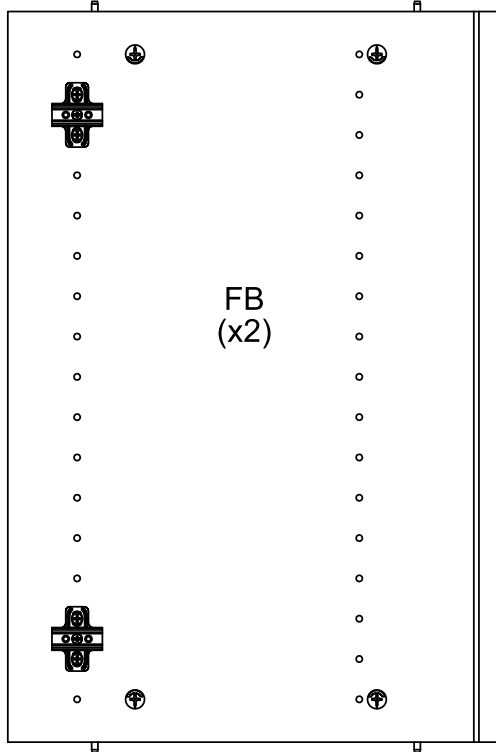
50491
x6

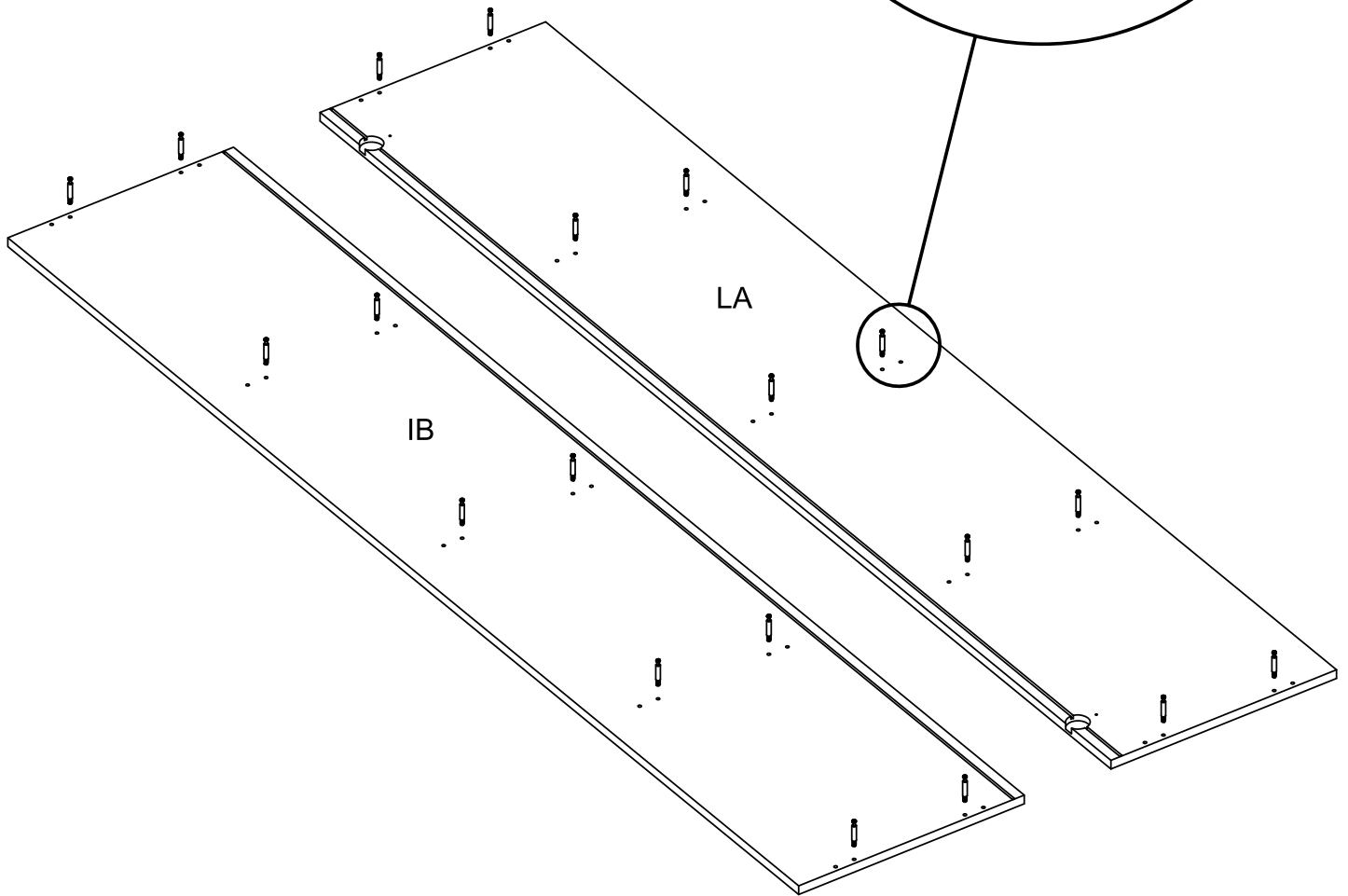
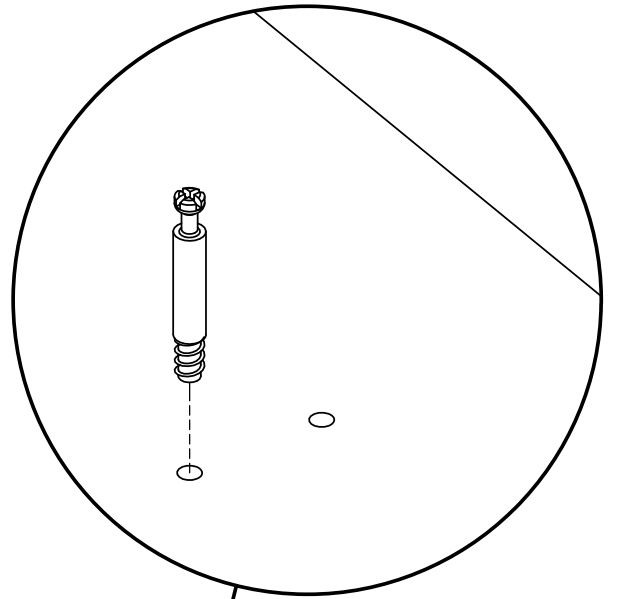
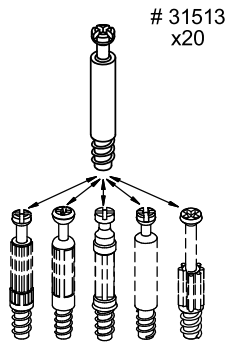
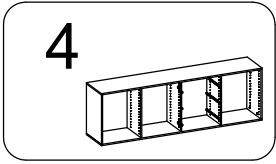


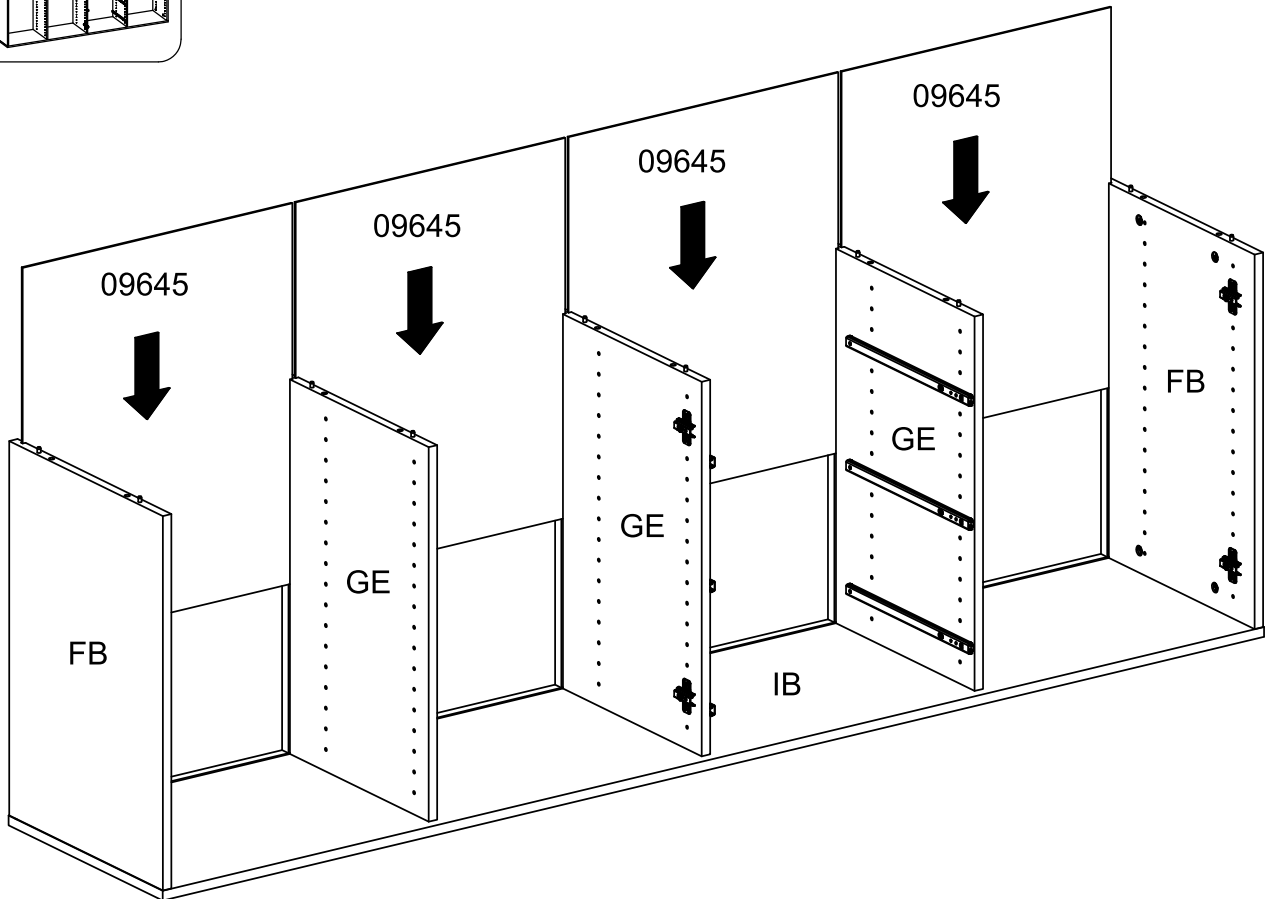
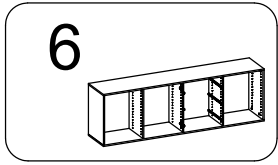
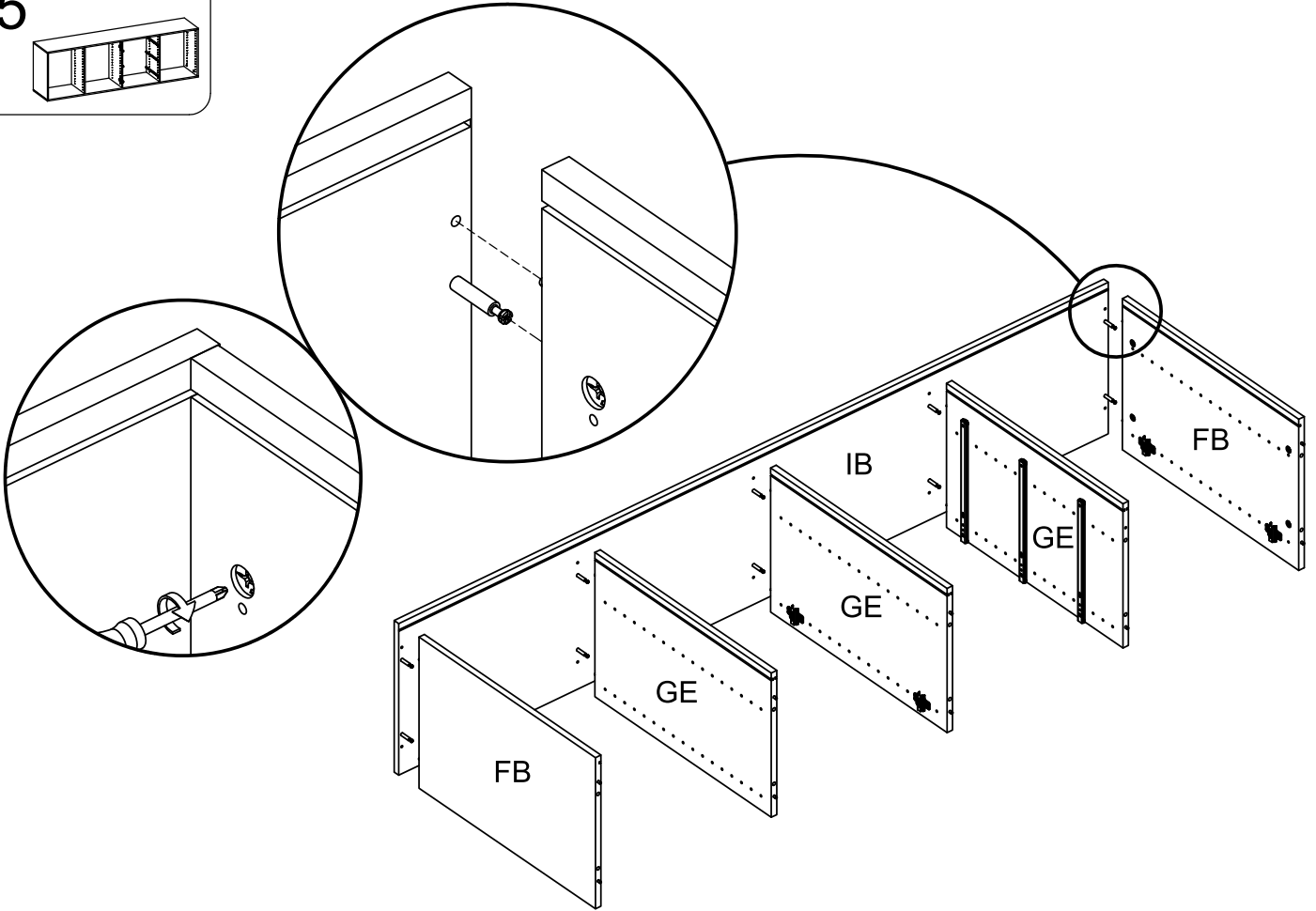
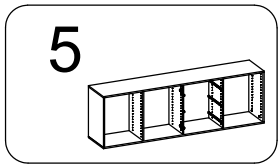
26071
x12

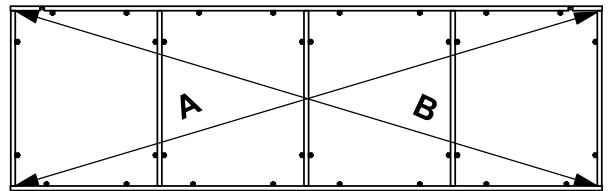
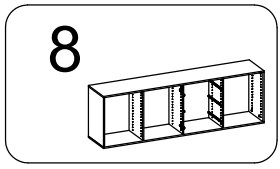
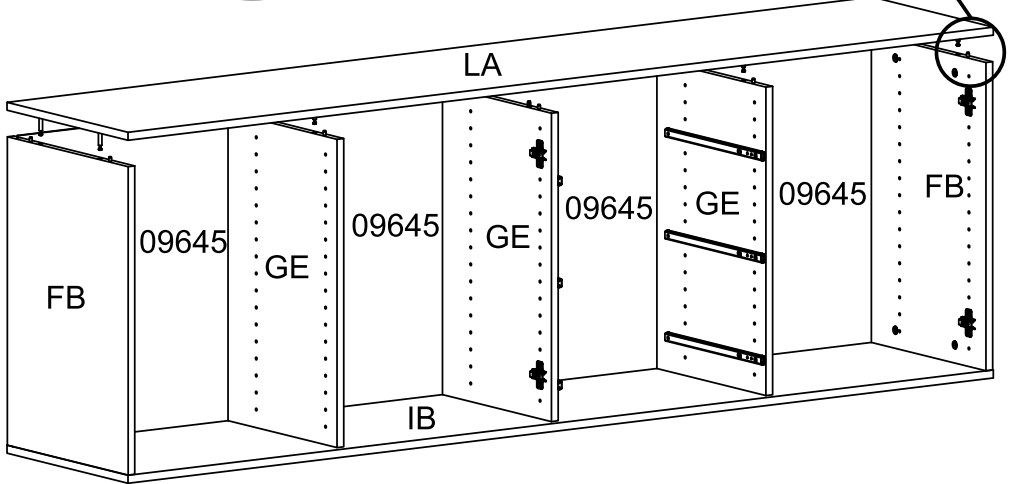
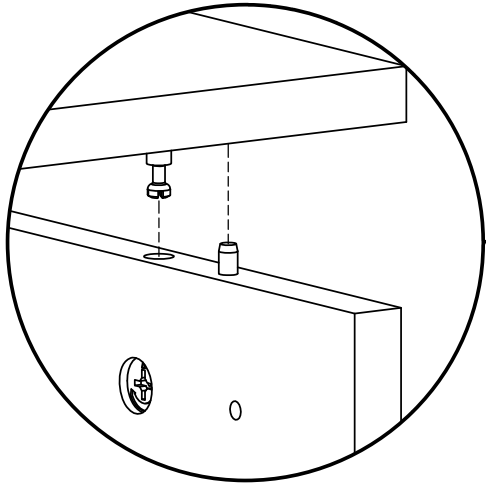
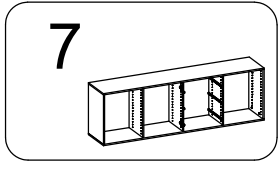


26211
x6

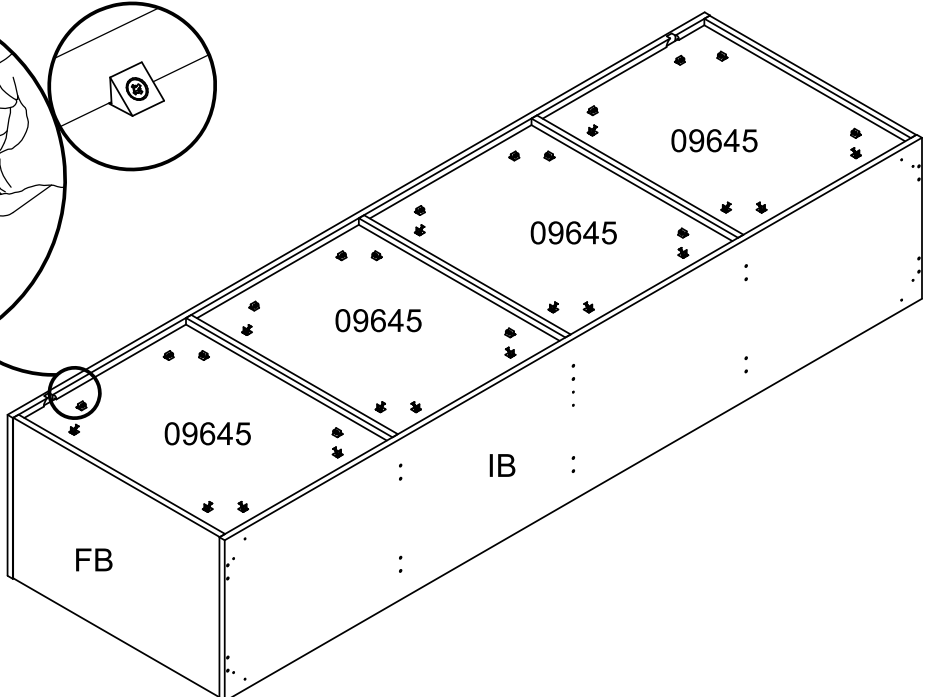
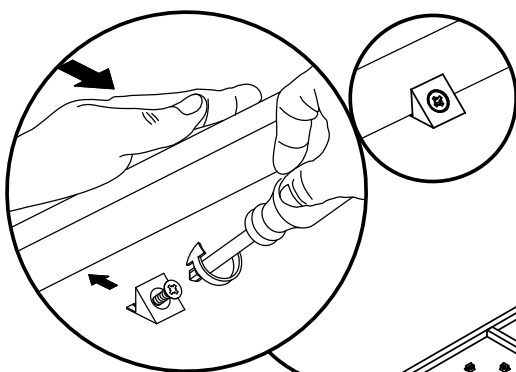


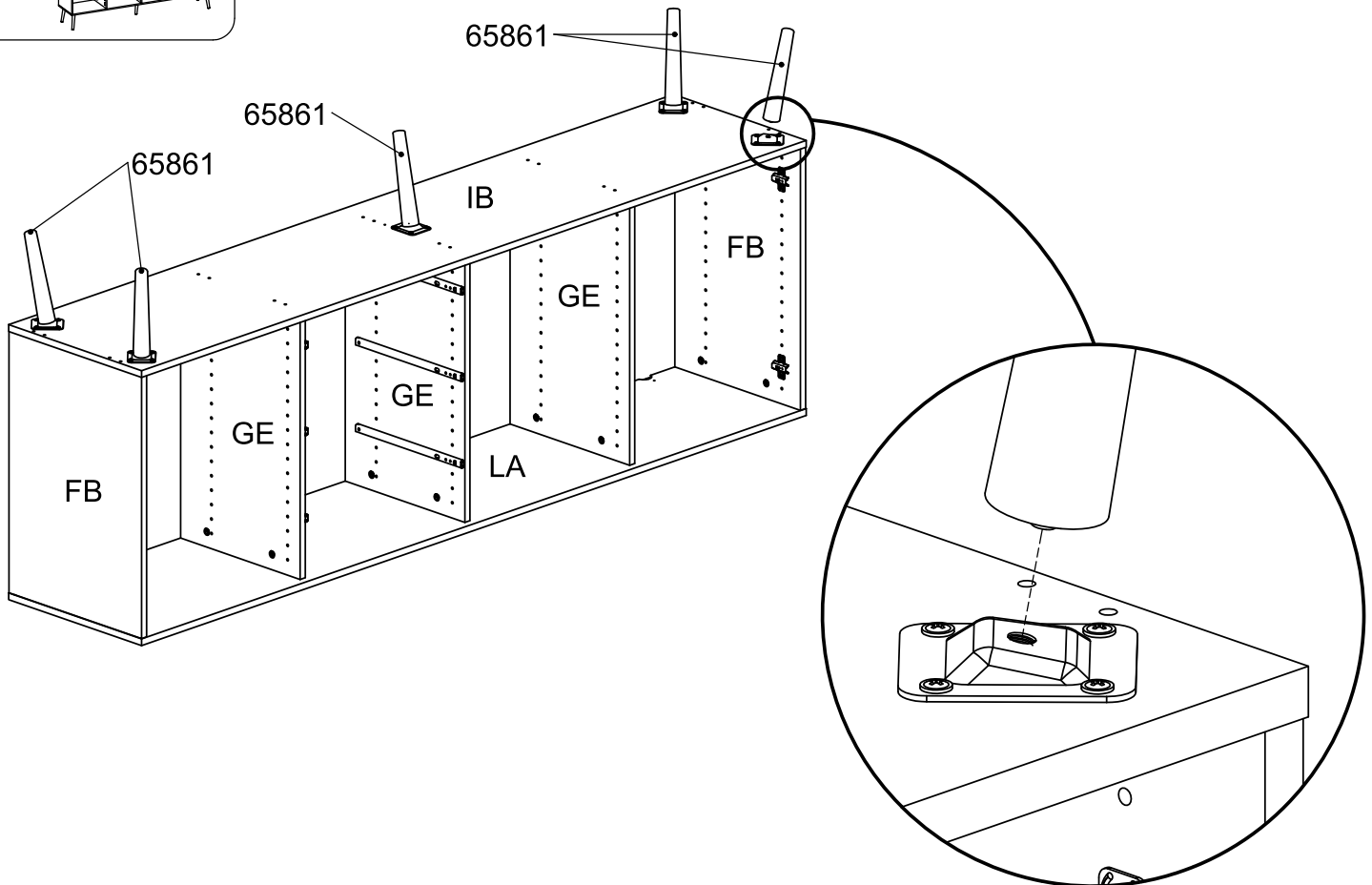
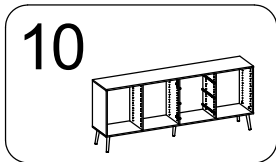
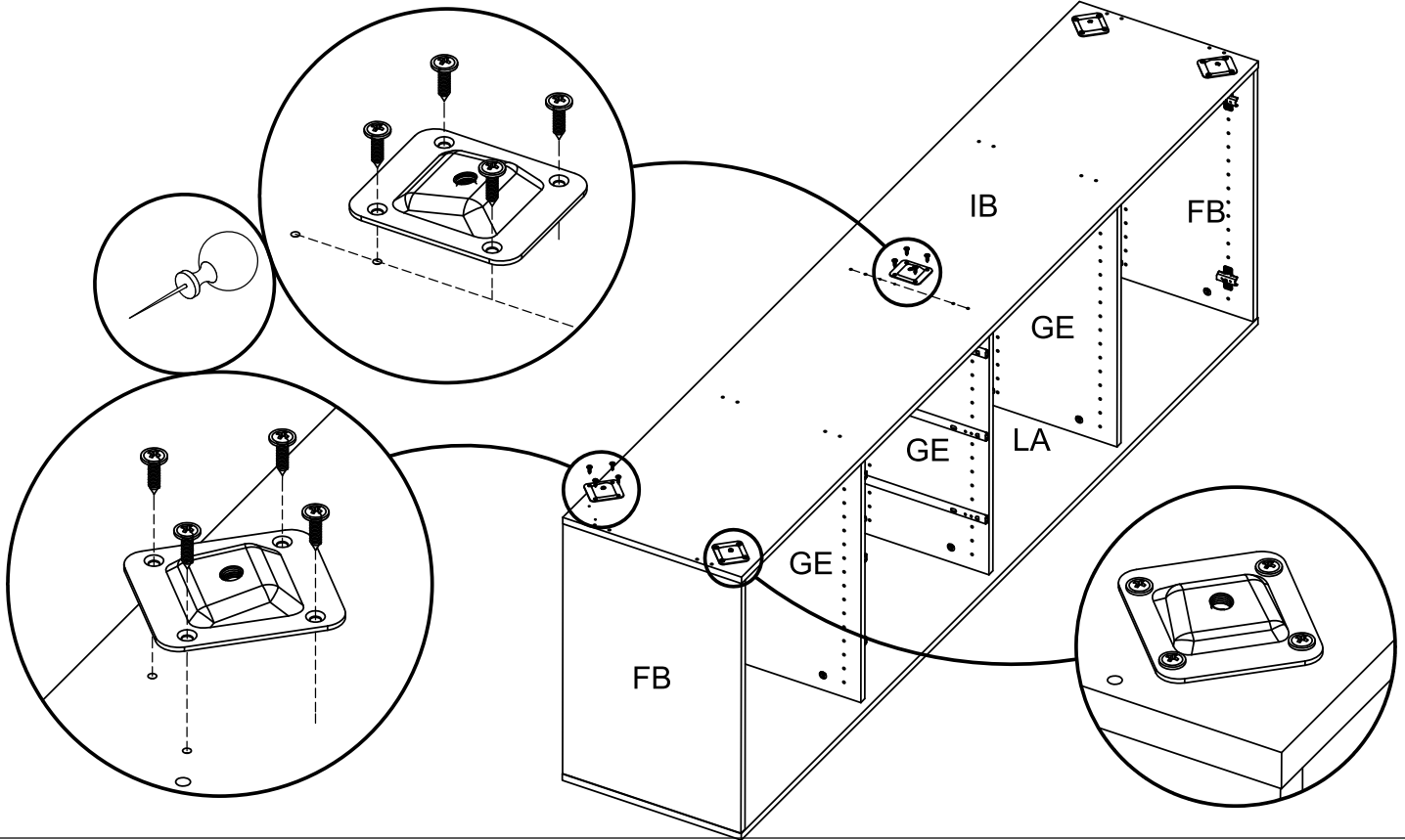
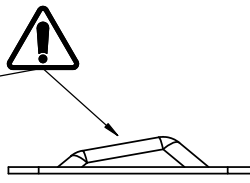
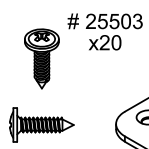
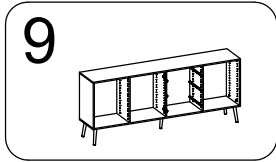


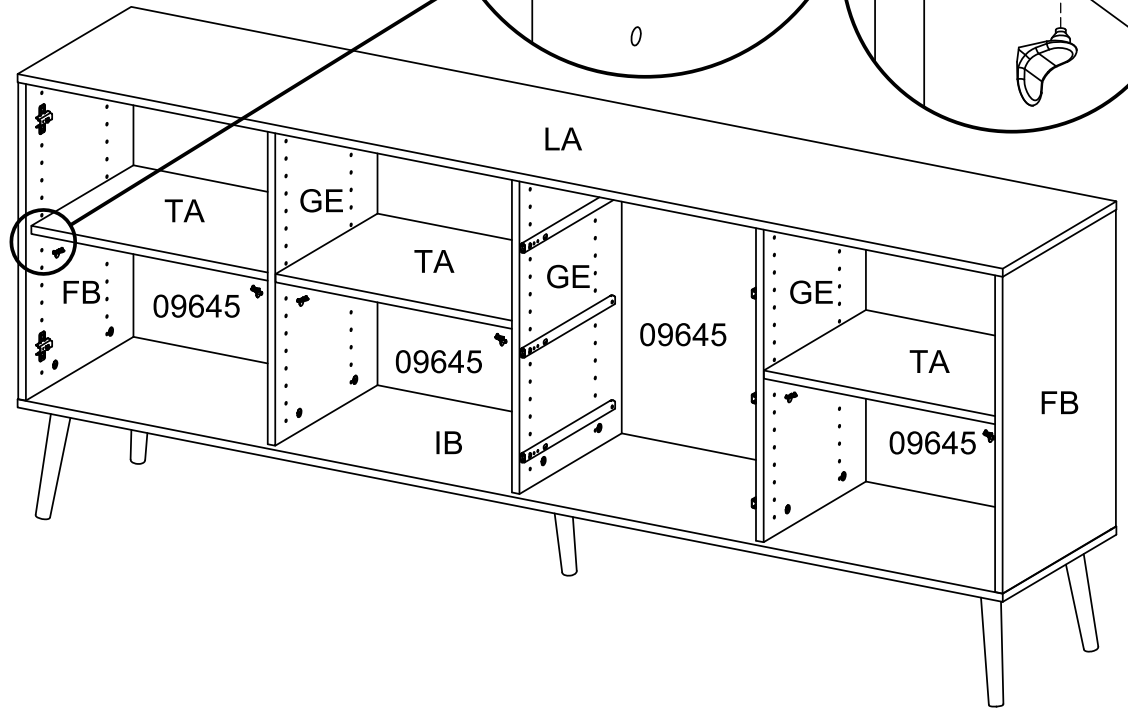
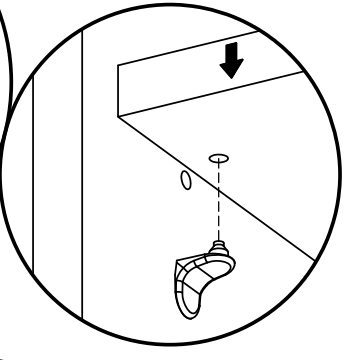
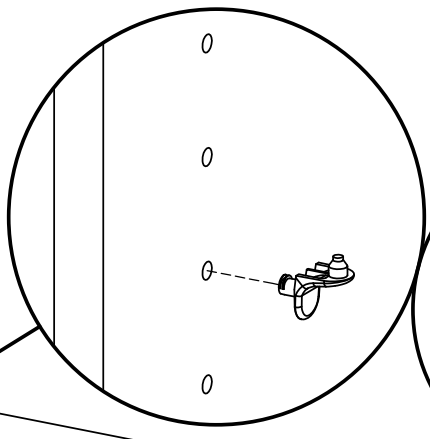
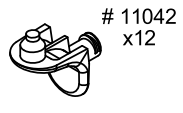
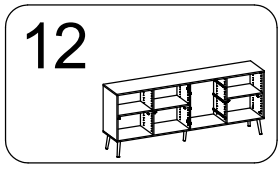
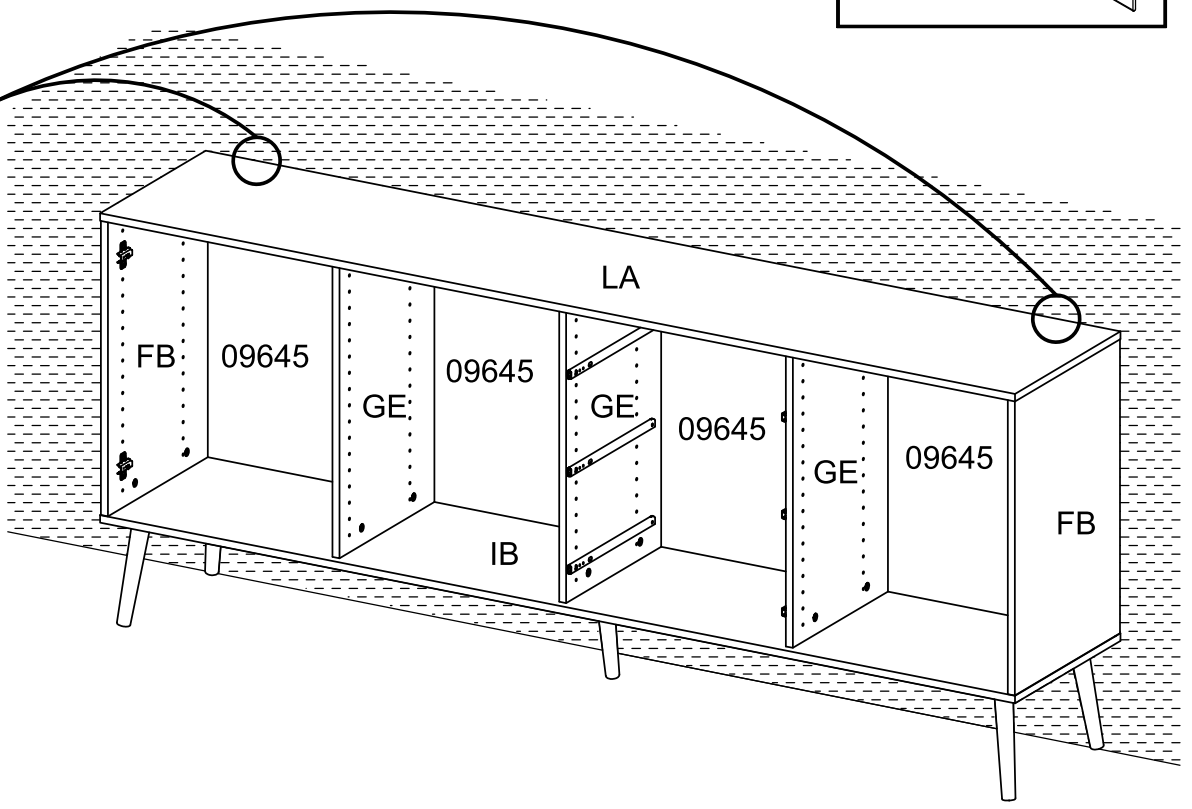
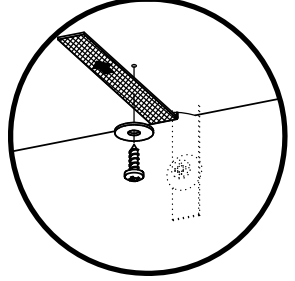
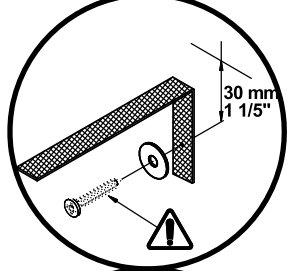
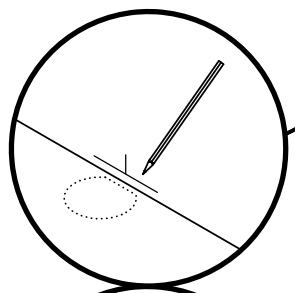
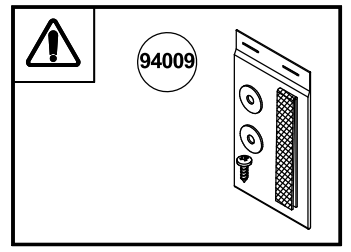
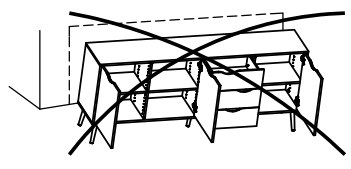
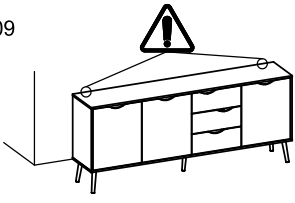
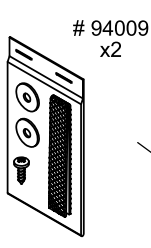
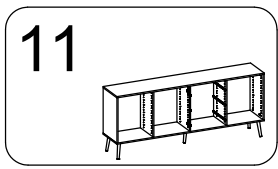




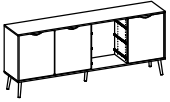
A = B





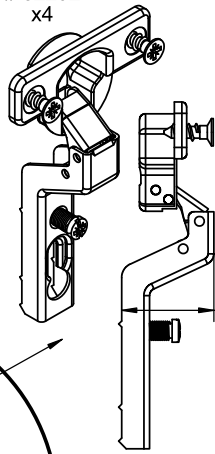


13

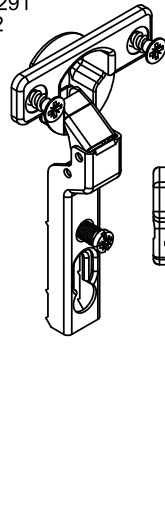


52292
x4

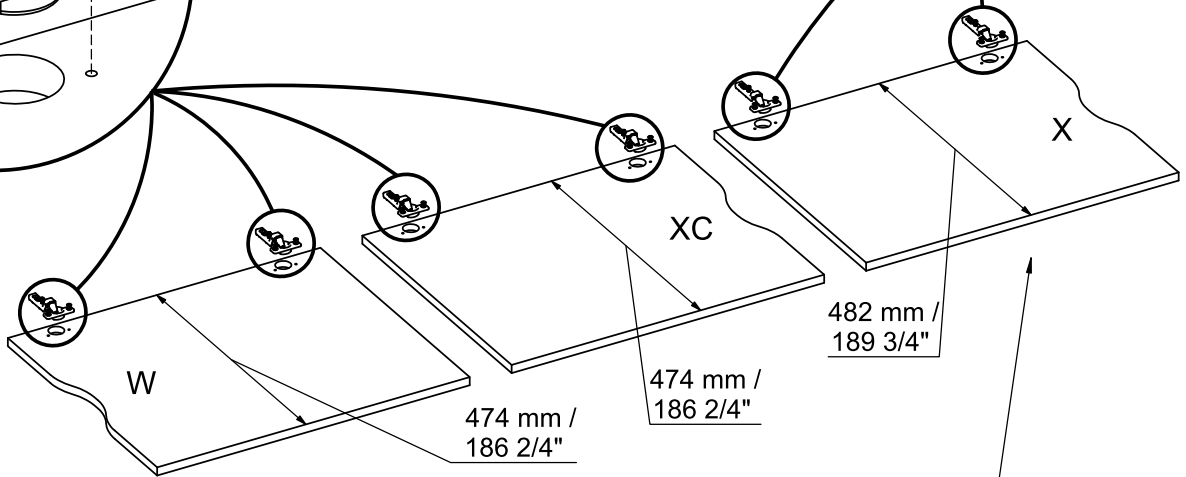
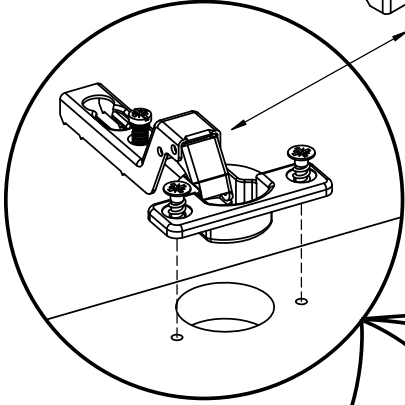
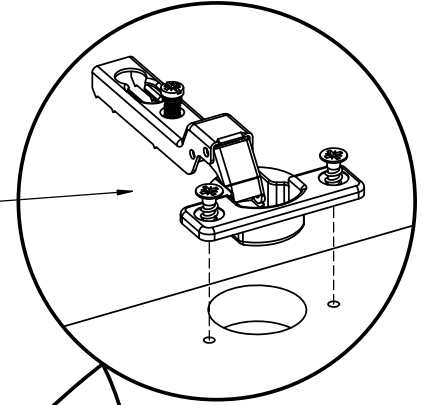
52291
x2



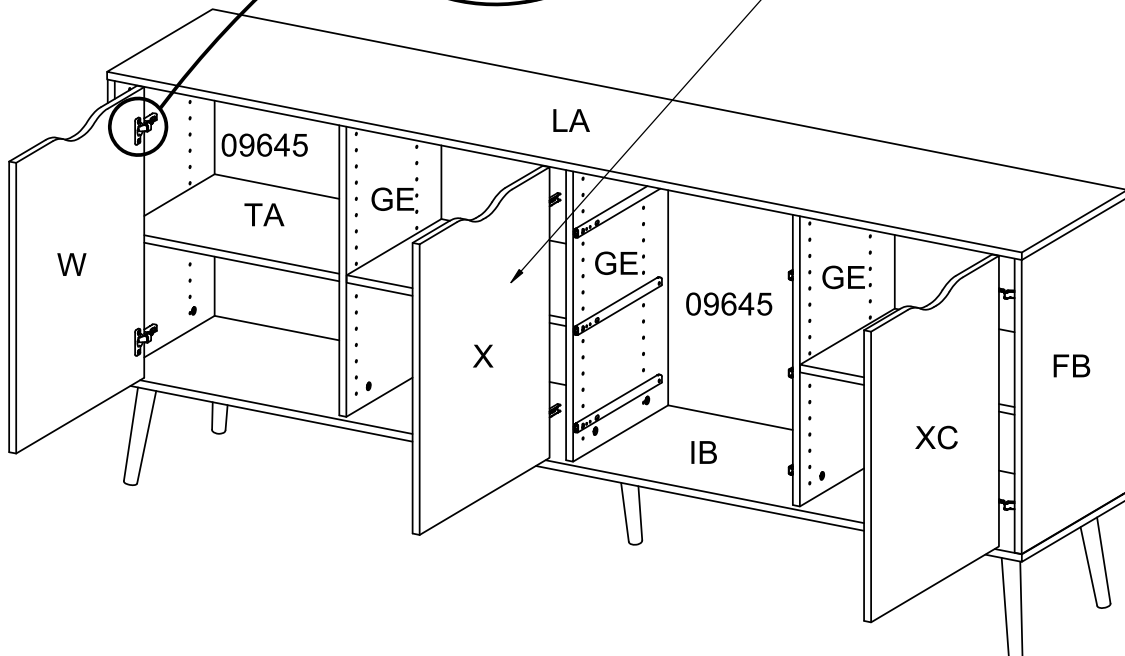
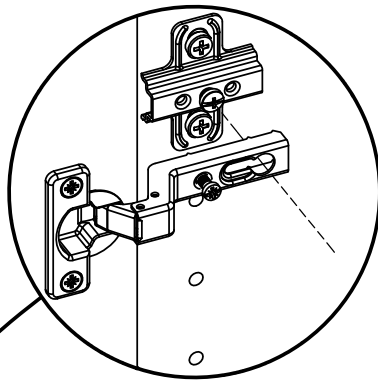
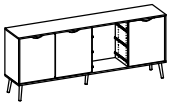
24 mm
1"

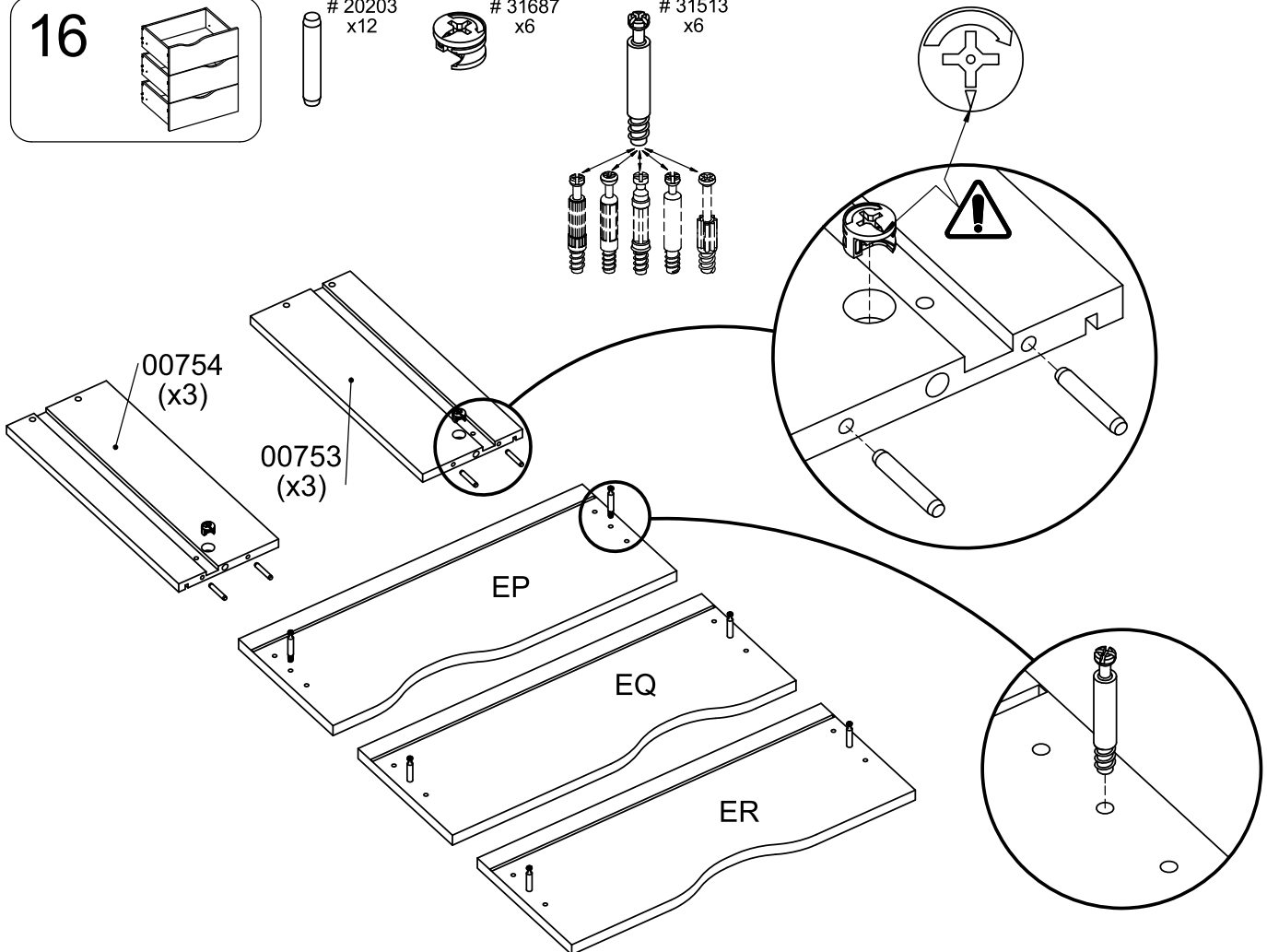
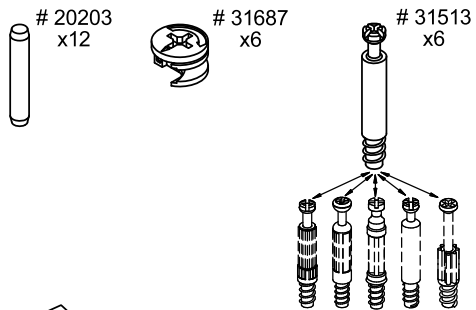
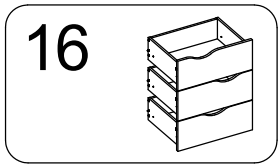
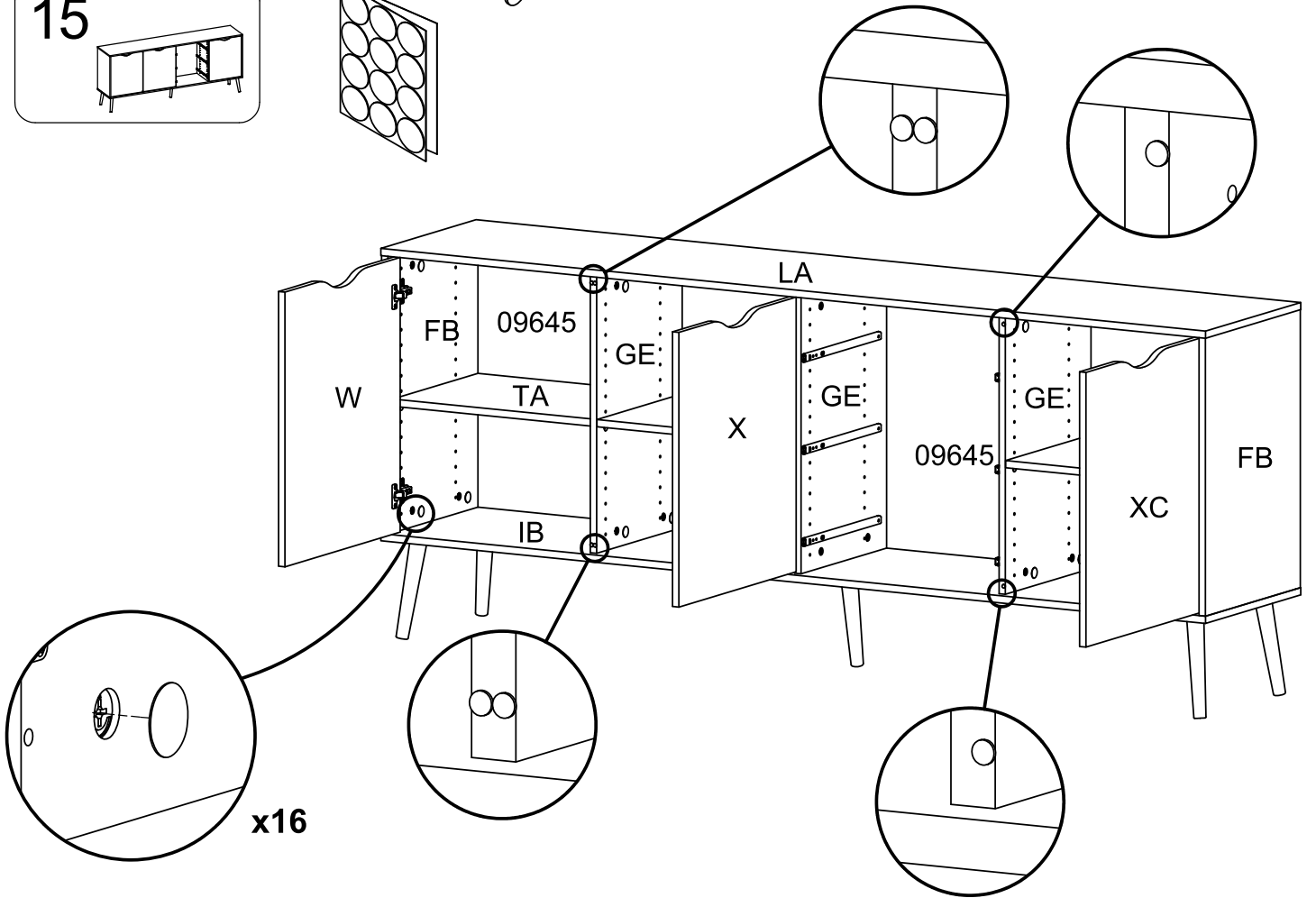
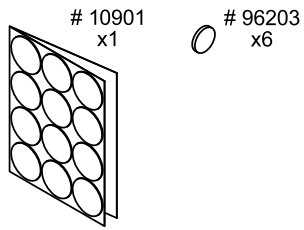
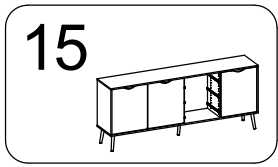


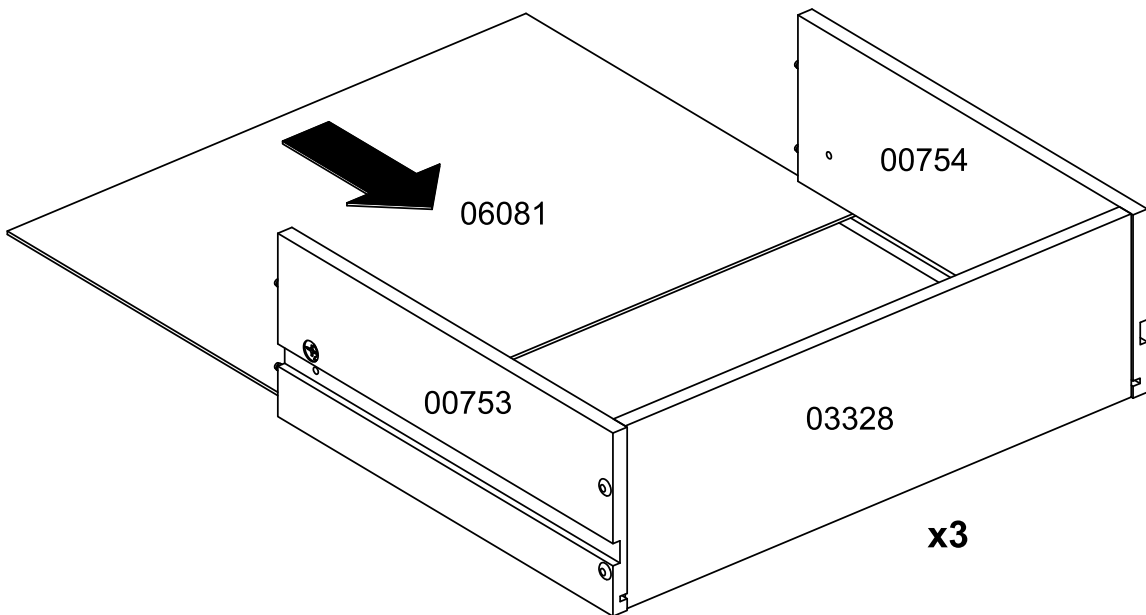
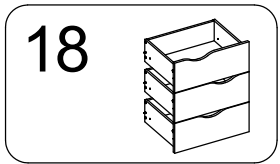
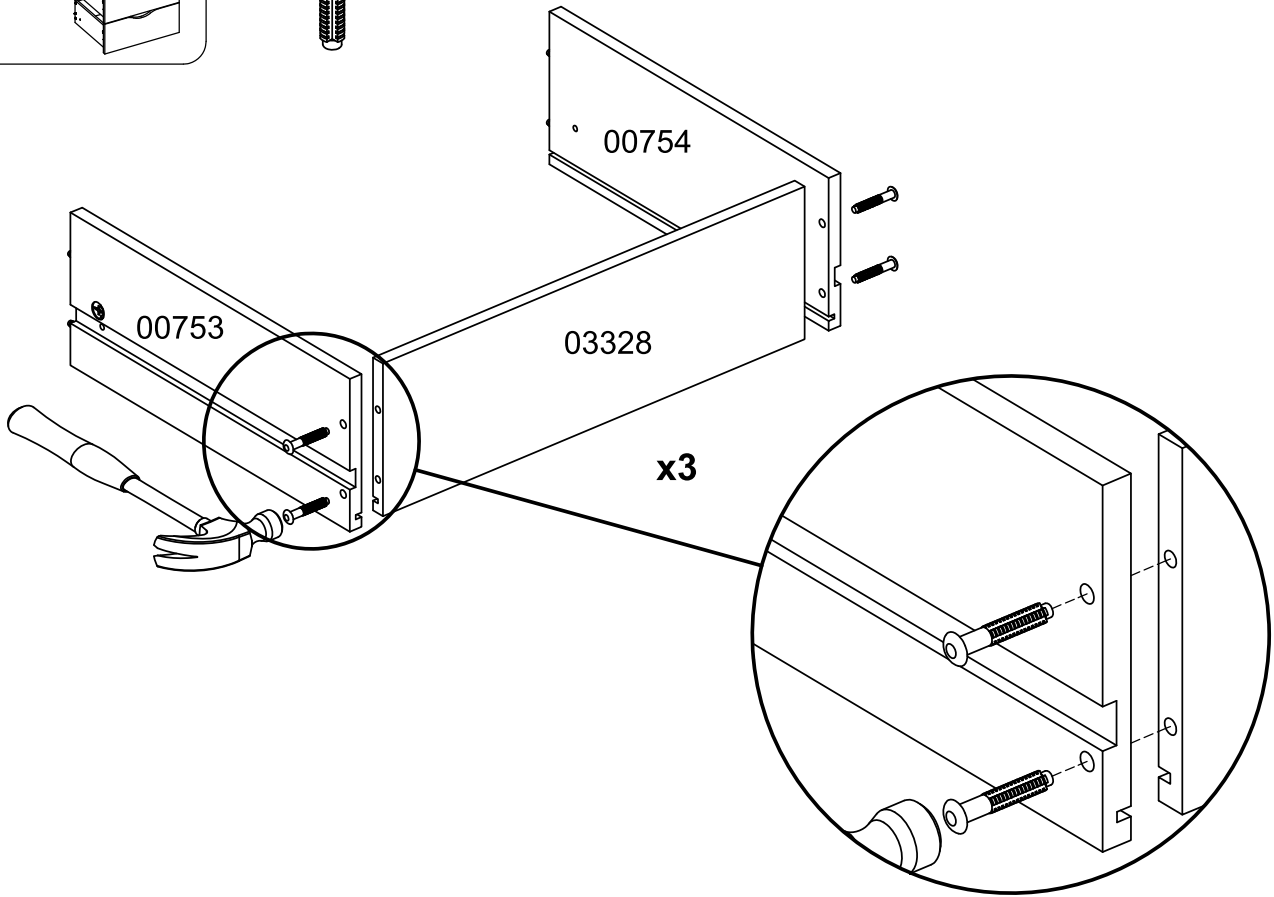
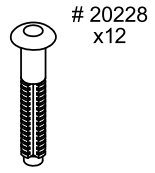
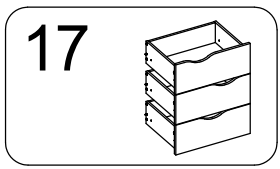
15 mm
1/2"



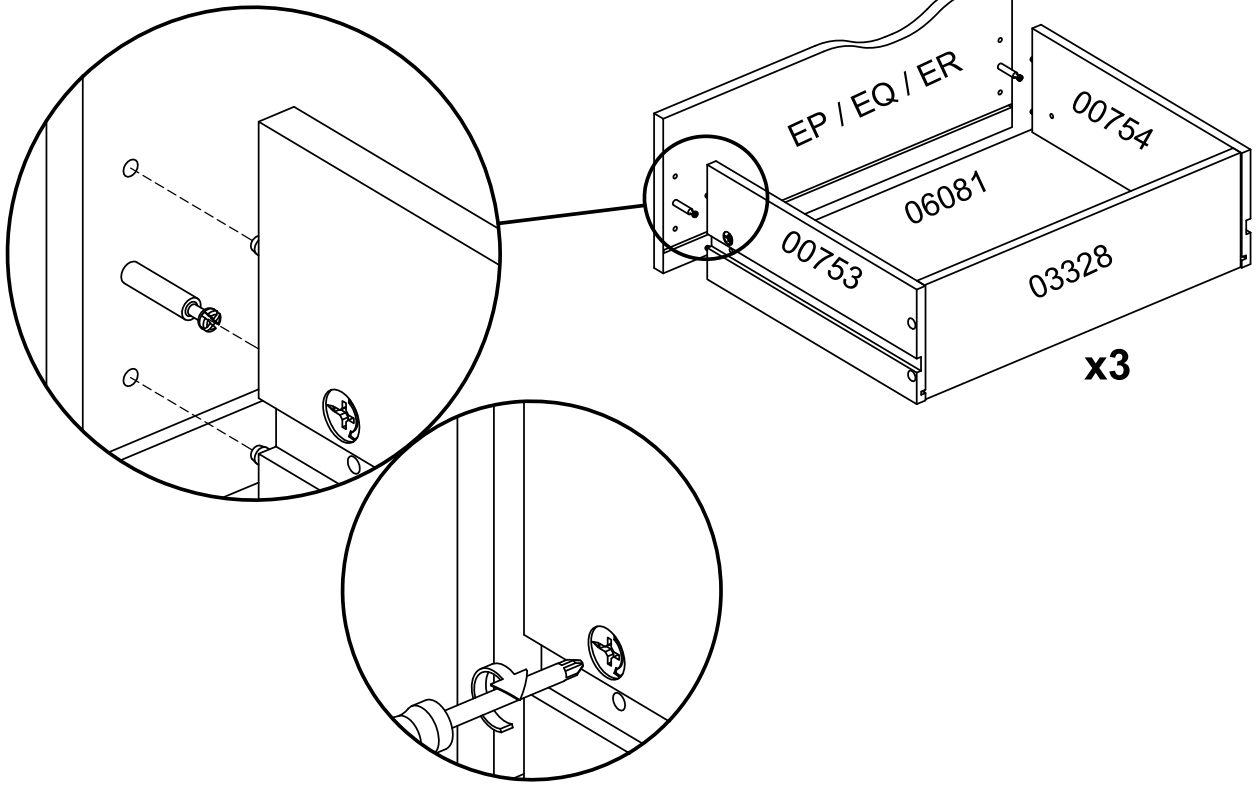
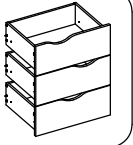
14



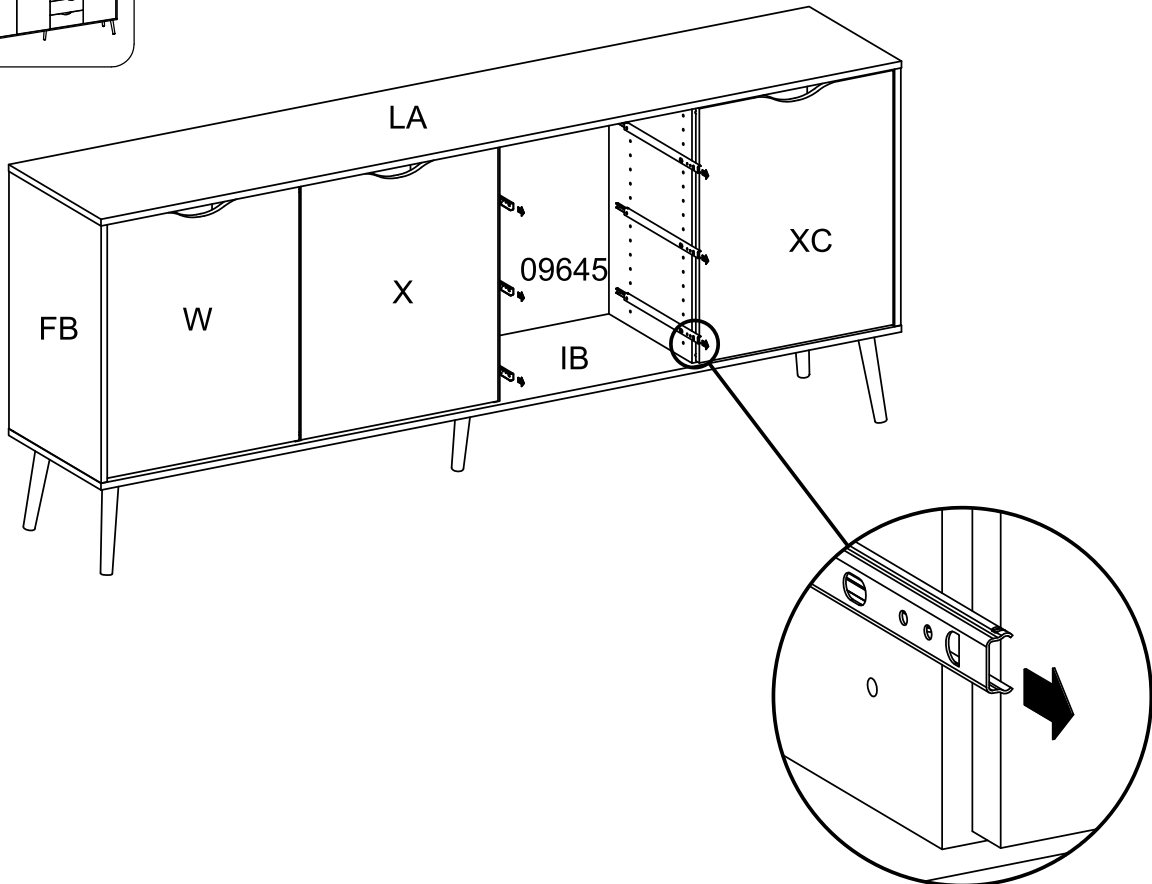
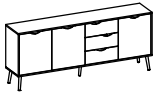


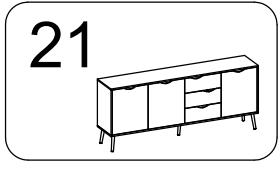


19

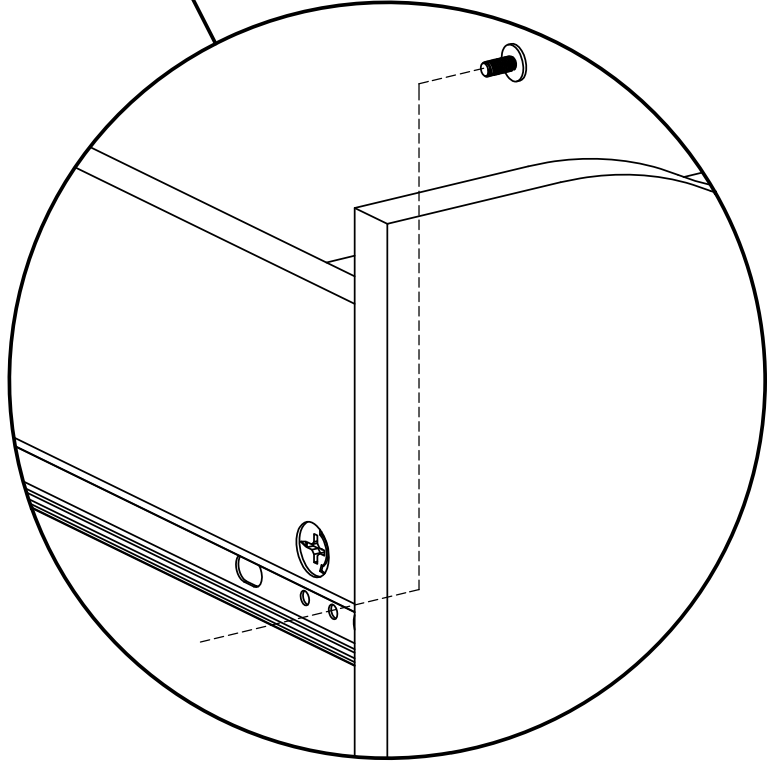
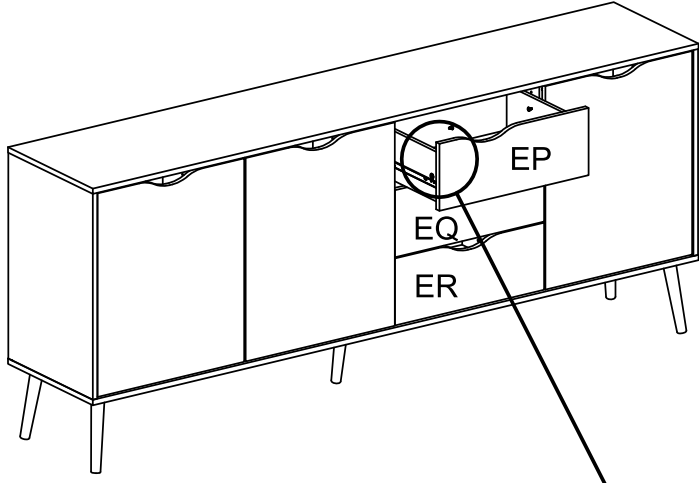


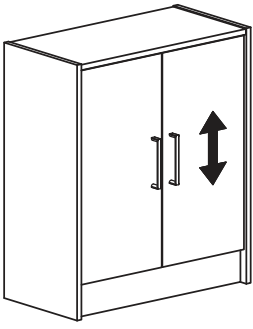
20



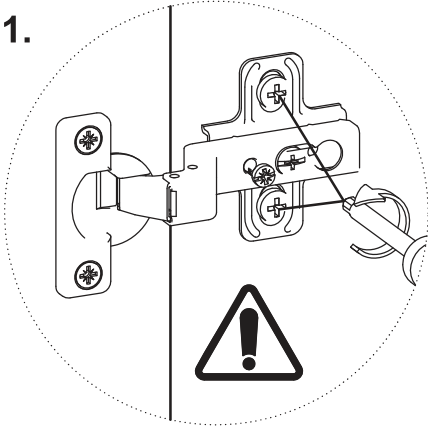


26214
x6

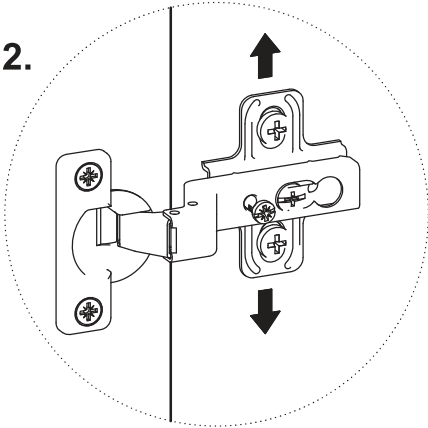




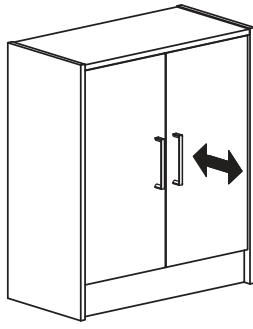
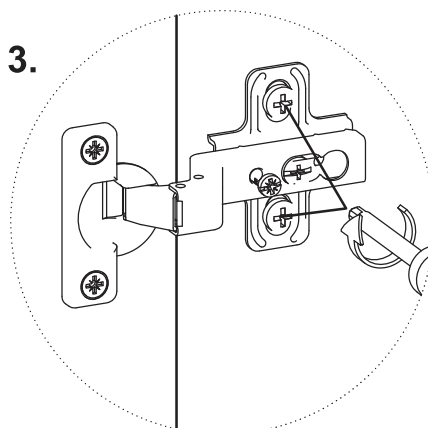
1.



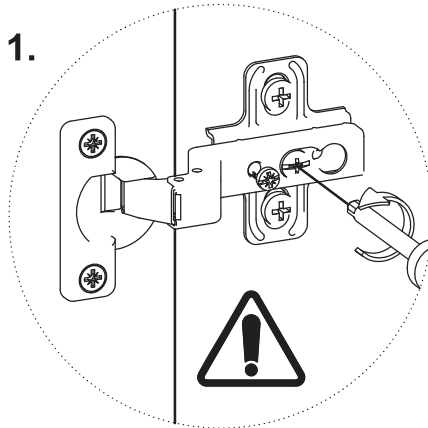
2.



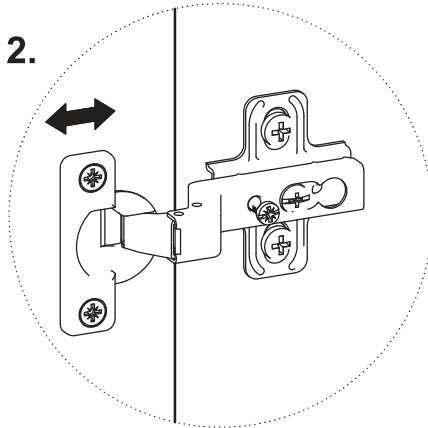
3.



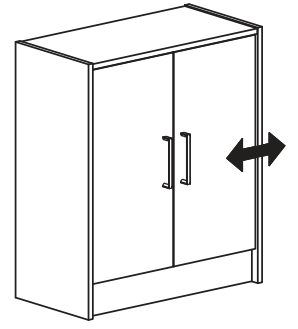
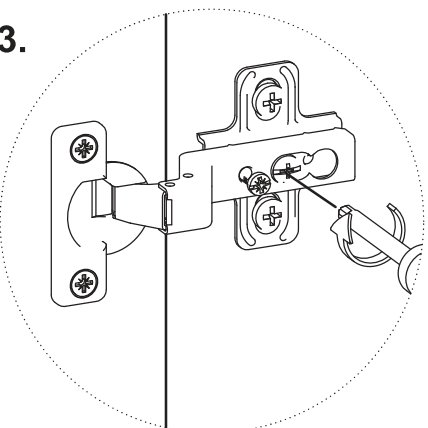
1.



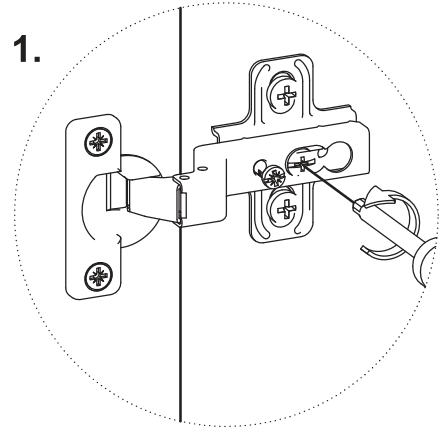
2.



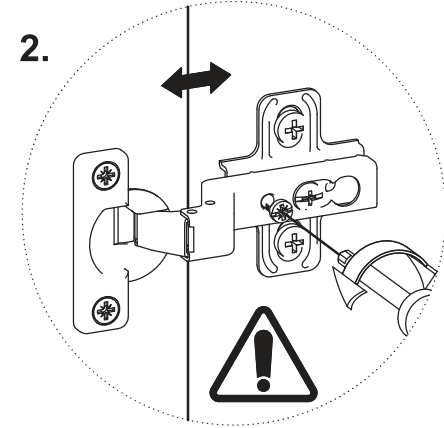
3.



1.



2.



3.

