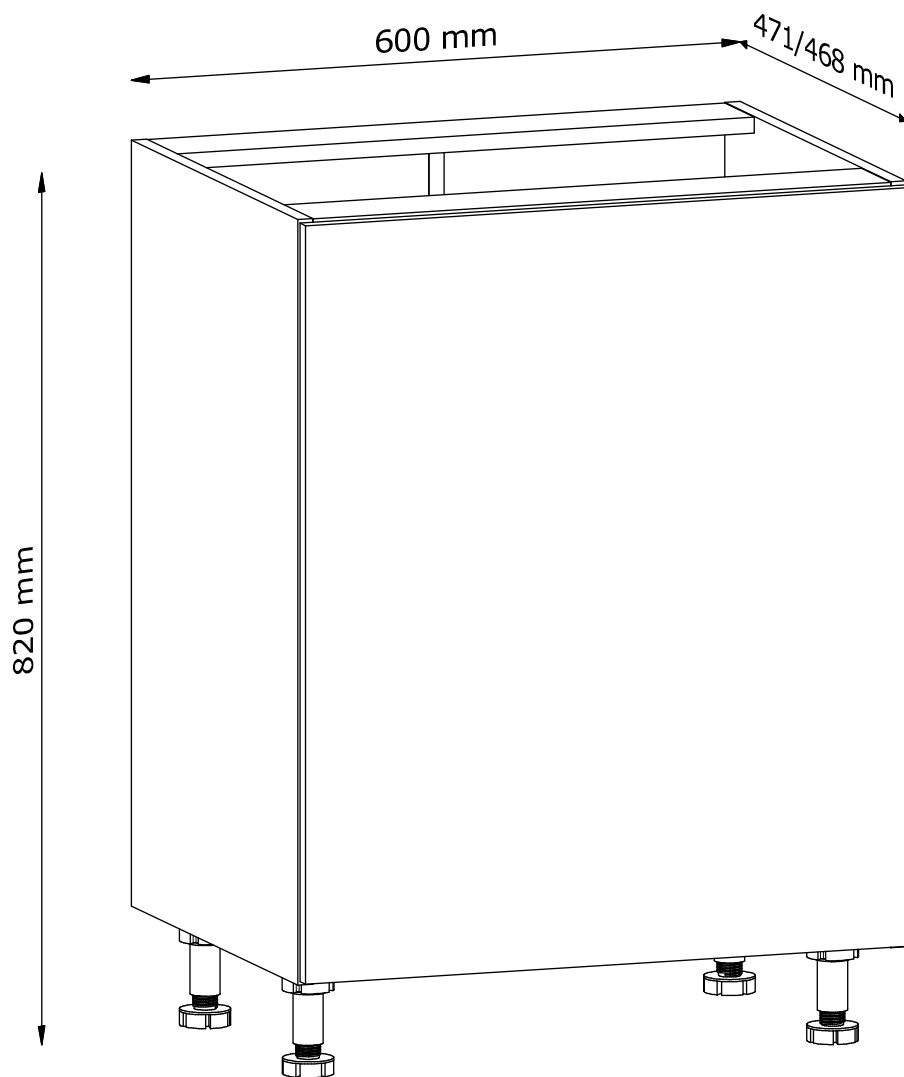


LANGEN

D60



PL: INSTRUKCJA MONTAŻU

EN: ASSEMBLY MANUAL

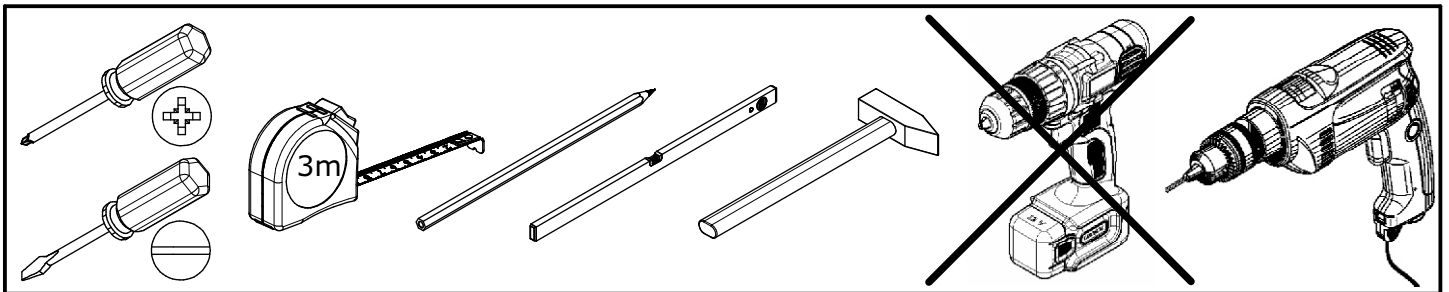
CZ: PŘÍRUČKA PRO MONTÁŽ

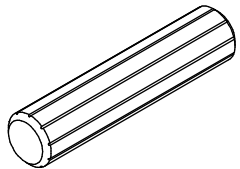
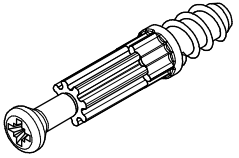
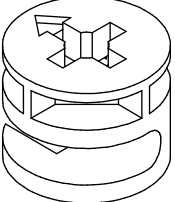
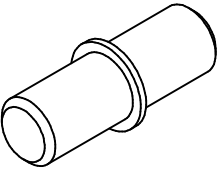
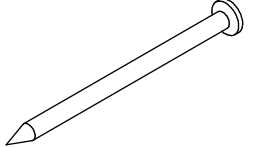
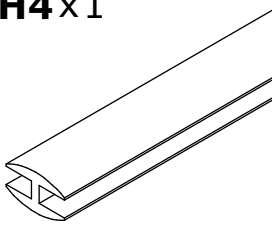
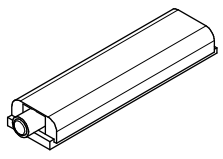
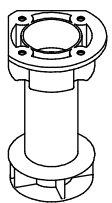
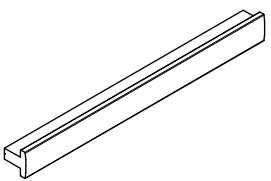
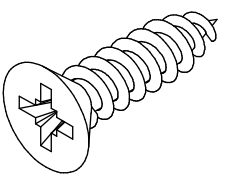
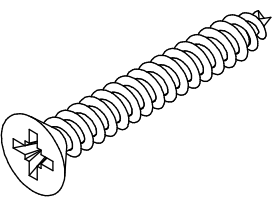
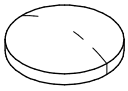
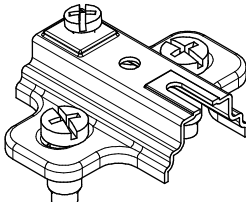
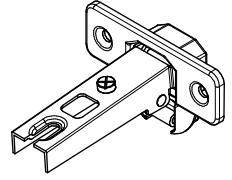
SK: PRÍRUČKA PRE MONTÁŽ

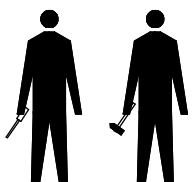
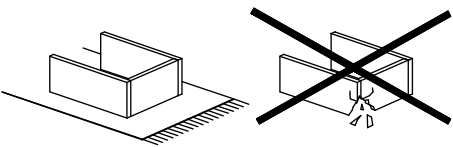
DE: MONTAGEANLEITUNG

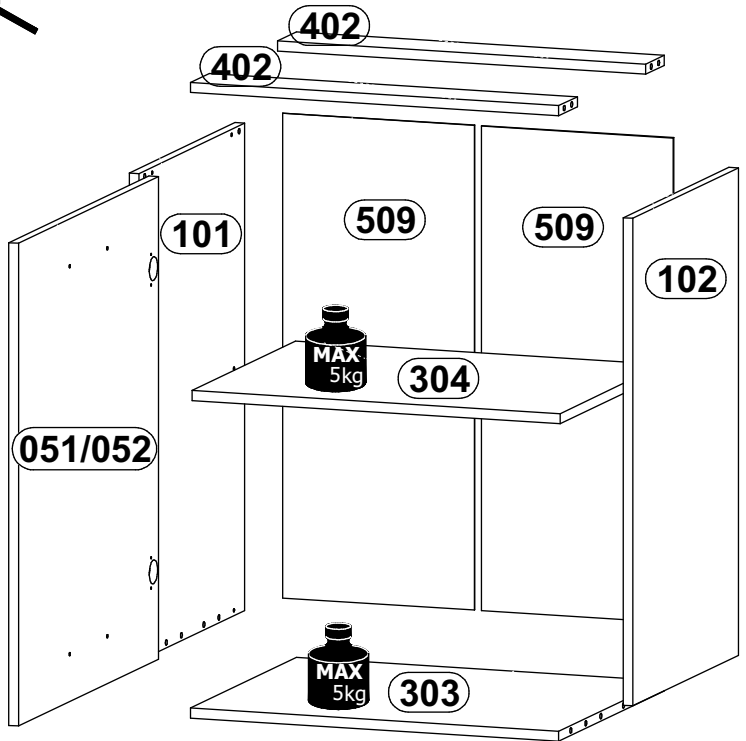
SR: UPUTSTVO ZA INSTALACIJU

NL: MONTAGE-INSTRUCTIES



A1 x12  $\text{Ø}8 \times 35 \text{mm}$	B1 x8  $\text{Ø}5 \times 38 \text{mm}$	C1 x8  $\text{Ø}15 \times 12 \text{mm}$	E1 x4  $\text{Ø}5 \times 16 \text{mm}$	G1 x28  26mm
H4 x1  715mm	I20 x1  $83 \times 21 \times 11 \text{mm}$	L1 x4  $\text{Ø}50 \times 95 \text{mm}$	U19 x1  300mm	W2 x22  $\text{Ø}3,5 \times 16 \text{mm}$
W5 x2  $\text{Ø}4 \times 30 \text{mm}$	Y1 x2  $\text{Ø}8 \times 1,5 \text{mm}$	Z1 x2  $50 \times 40, H=2$	Z3 x2  n 35, ZK0	

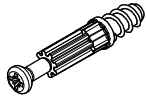





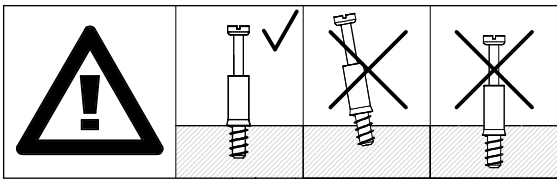
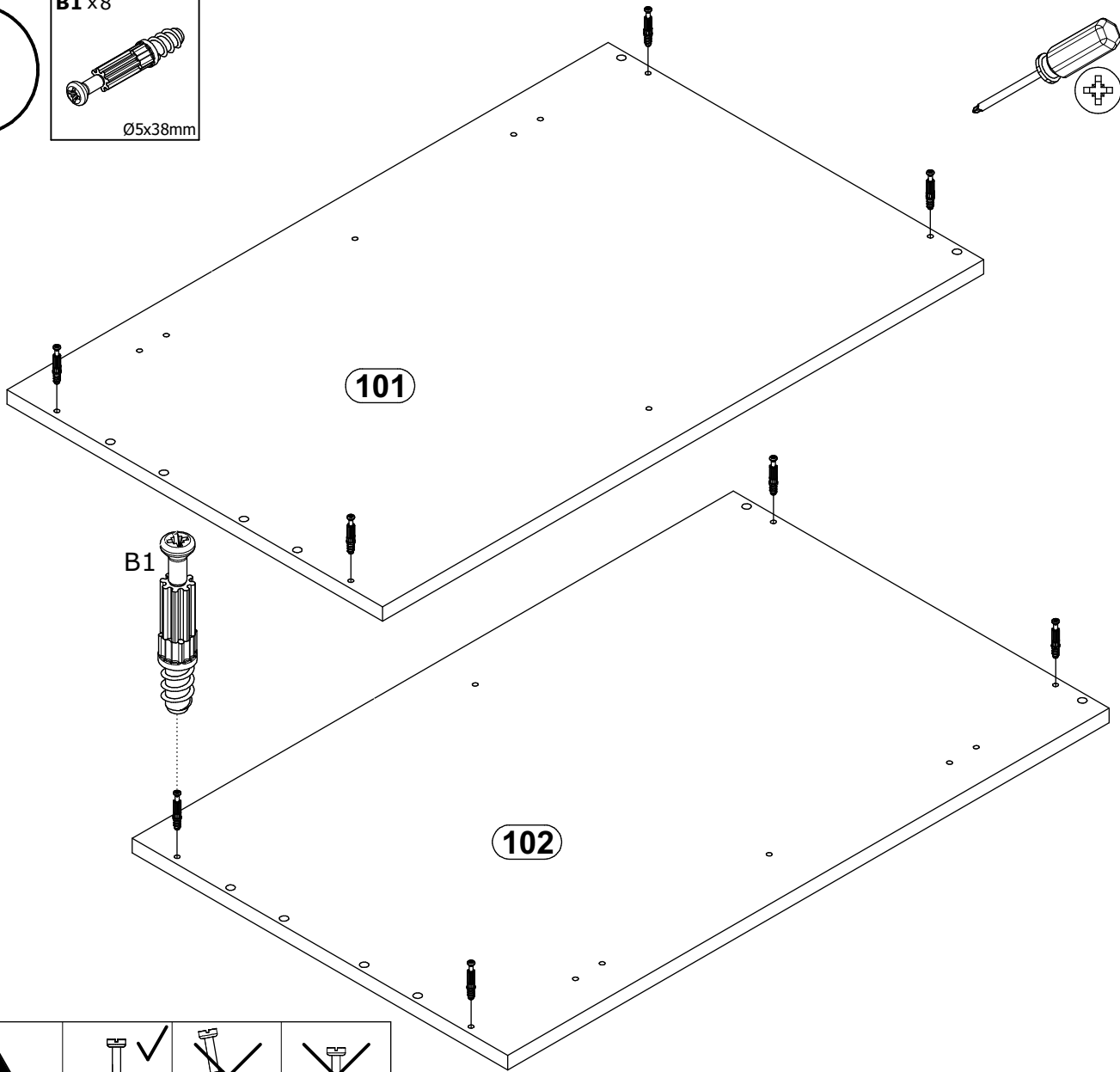
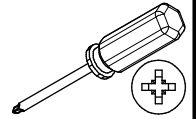
No.	L[mm]	W[mm]	H[mm]	PCS	BOX
051/052	713	596	15/18	1	2/2
101	720	450	15	1	1/2
102	720	450	15	1	1/2
303	570	450	15	1	1/2
304	570	440	15	1	1/2
402	570	80	15	2	1/2
509	716	297	2,5	2	1/2

1

B1 x8

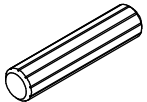


Ø5x38mm



2

A1 x4

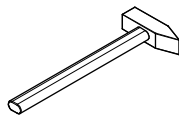


Ø8x35mm

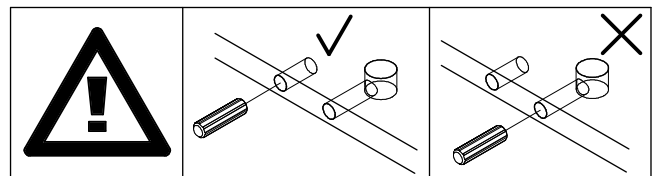
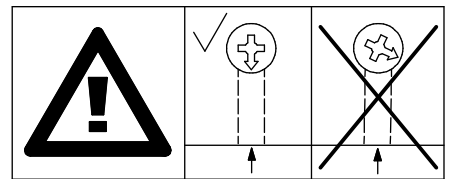
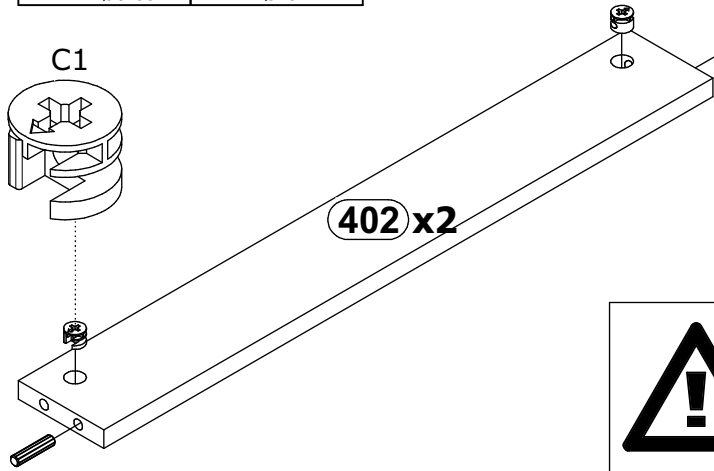
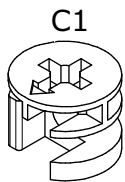
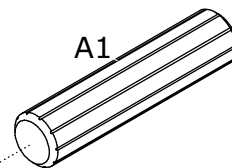
C1 x4



Ø15x12mm

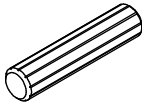


A1



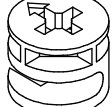
3

A1 x 8



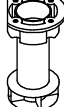
Ø8x35mm

C1 x 4



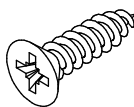
Ø15x12mm

L1 x 4

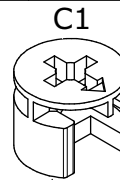
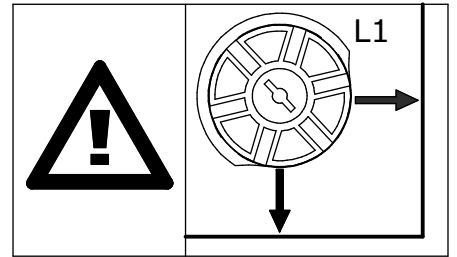
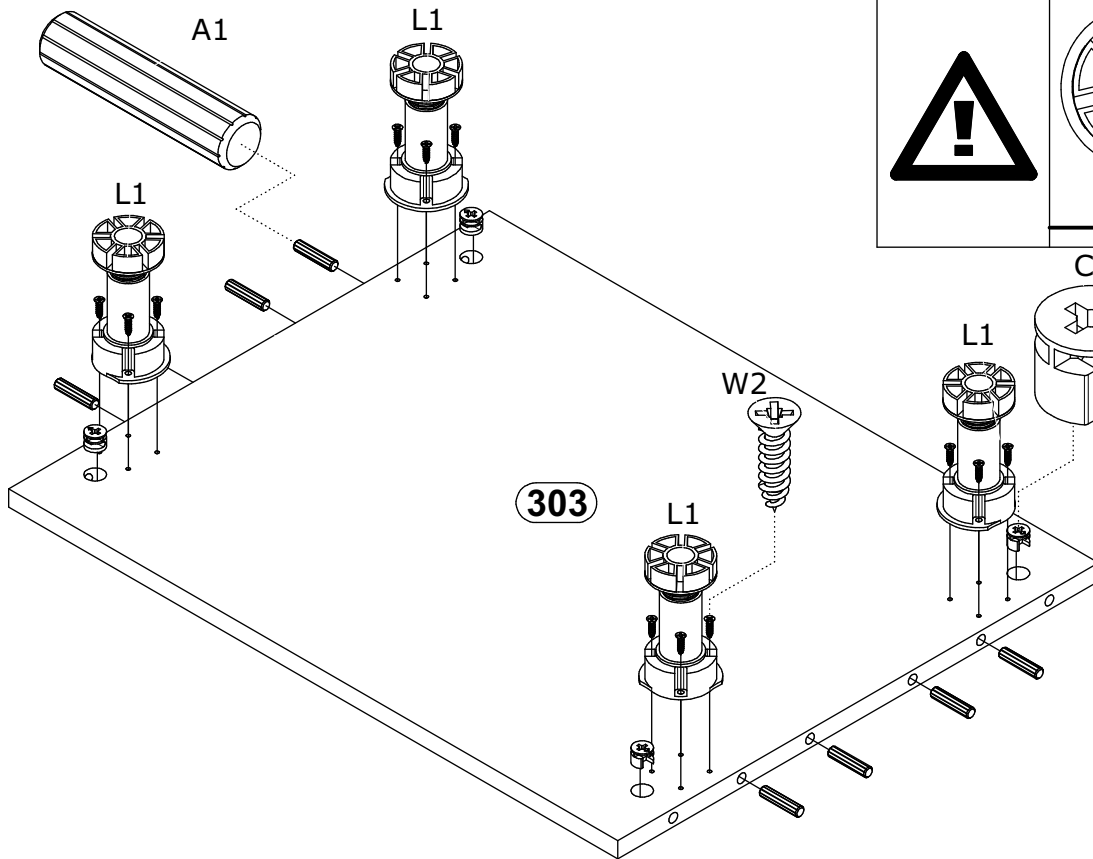
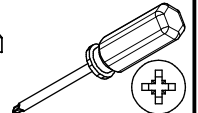
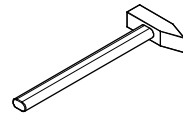


Ø50x95mm

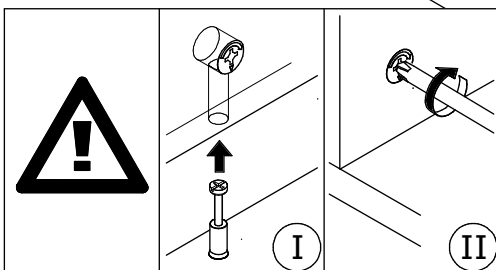
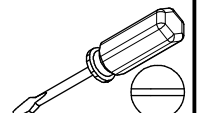
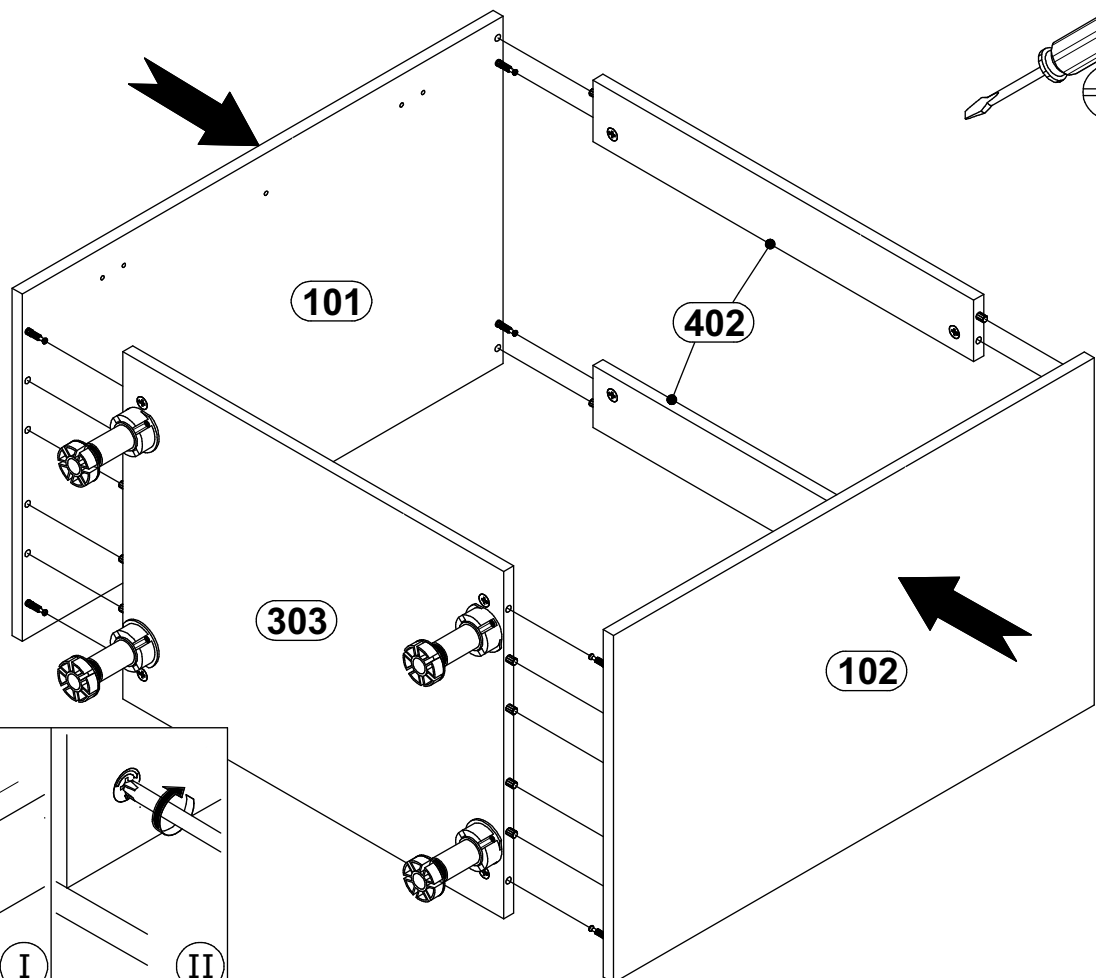
W2 x 16



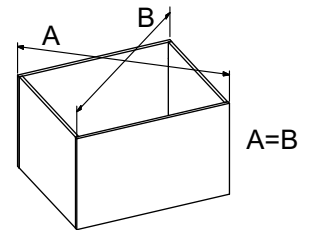
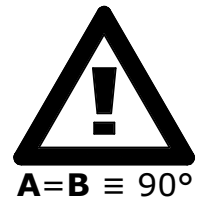
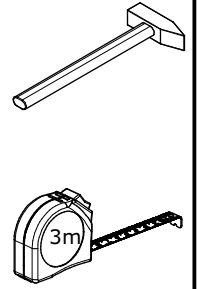
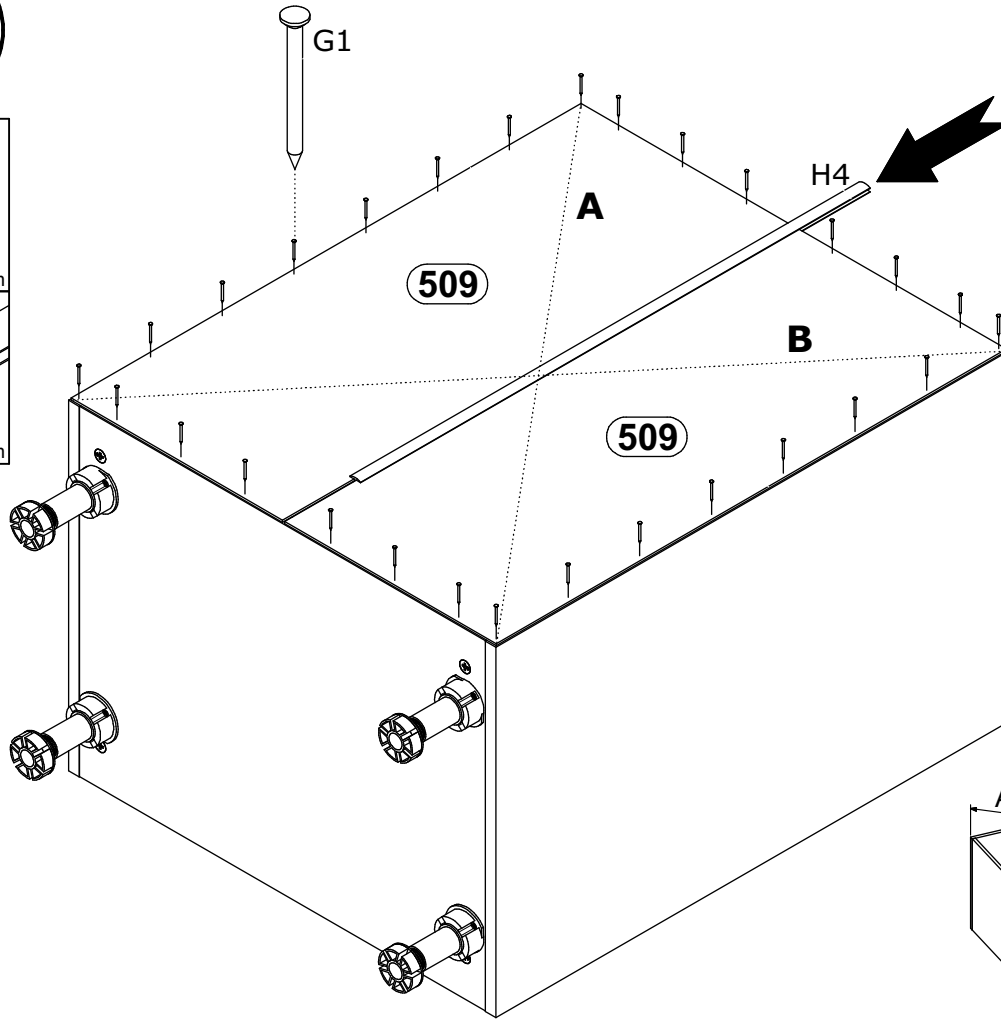
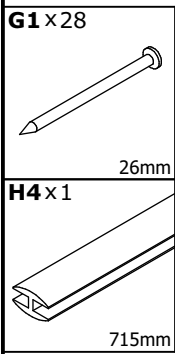
Ø3,5x16mm



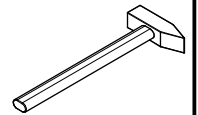
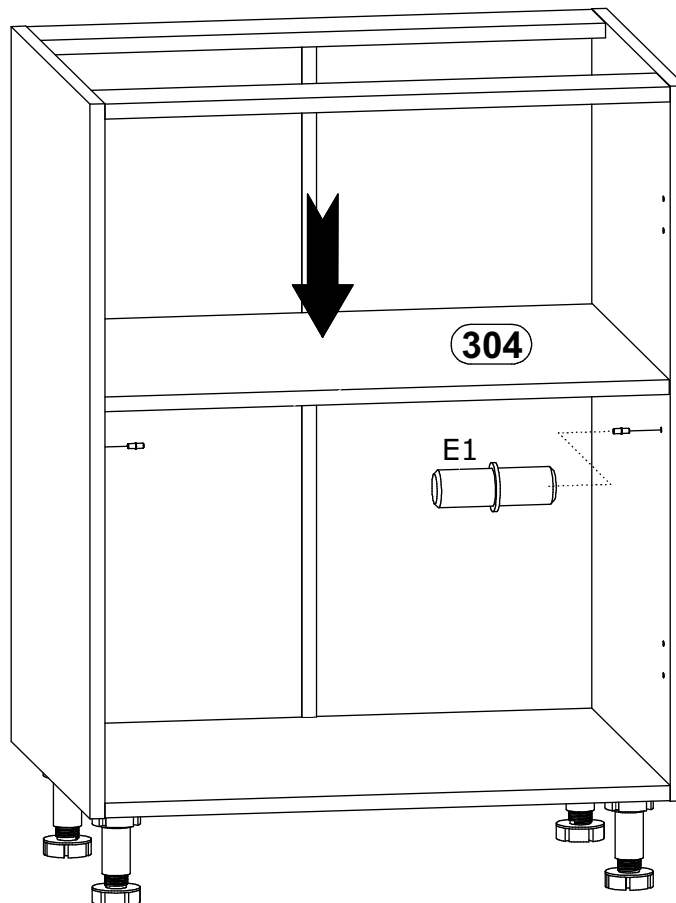
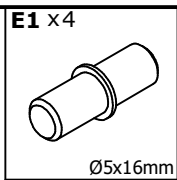
4



5

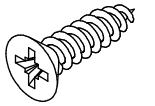


6



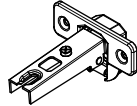
7

W2x4

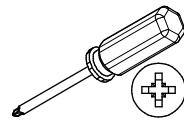


Ø3,5x16mm

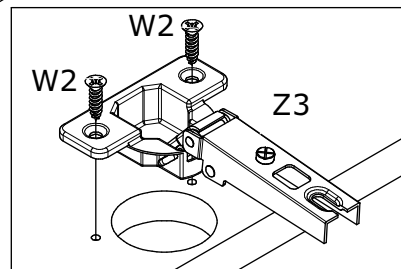
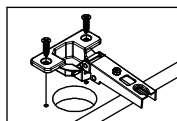
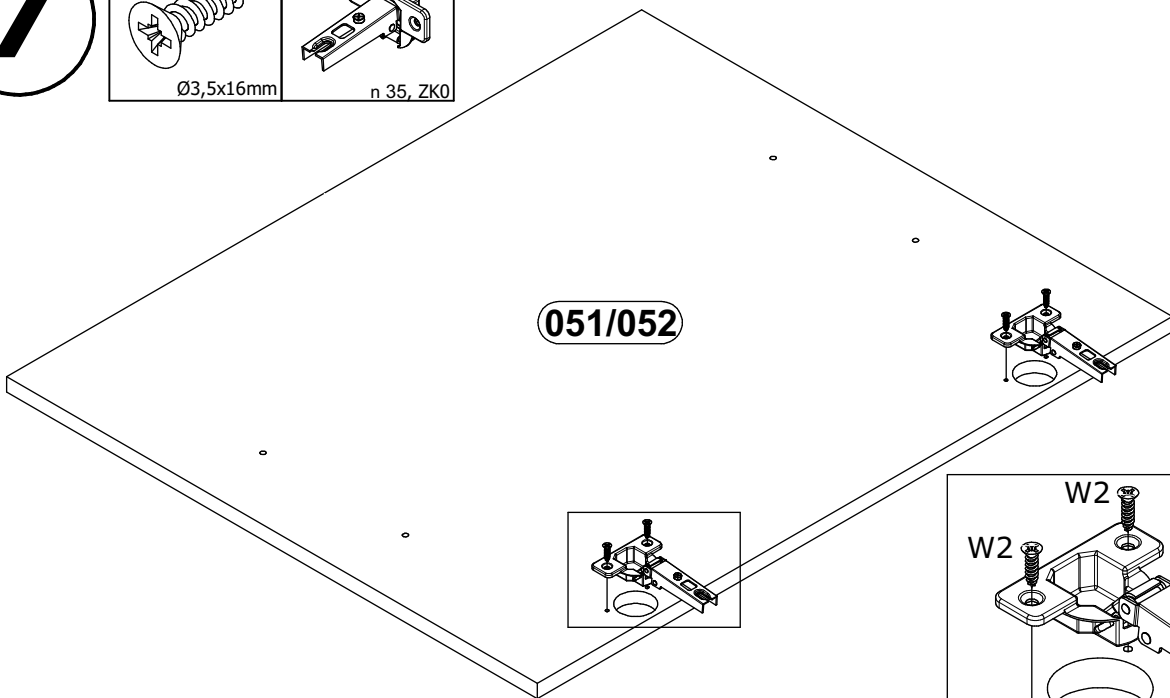
Z3 x2



n 35, ZK0

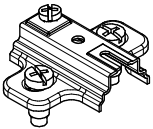


051/052

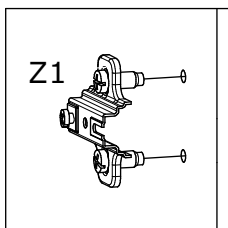


8

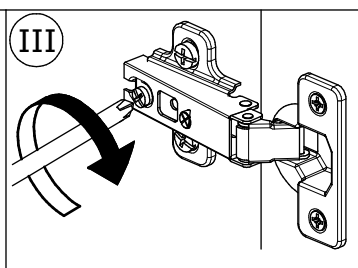
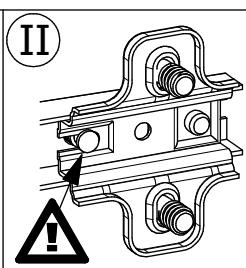
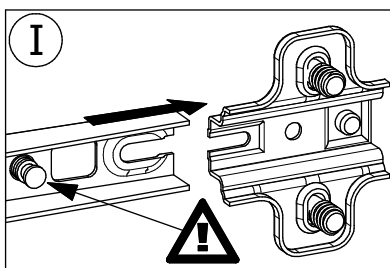
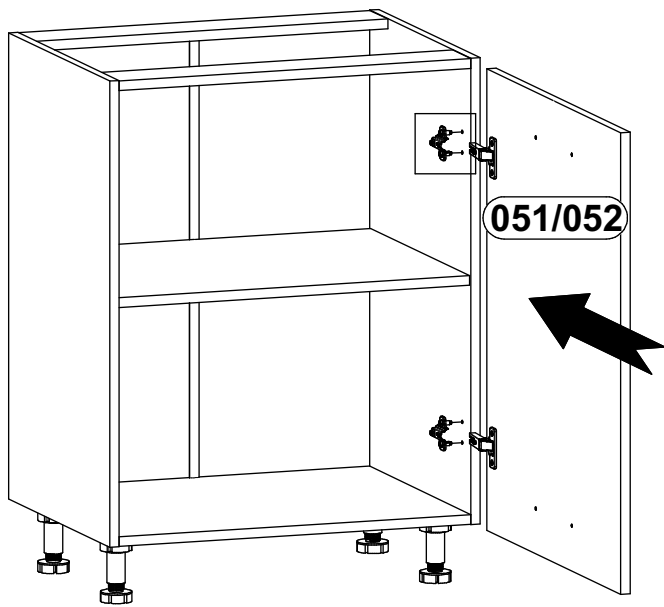
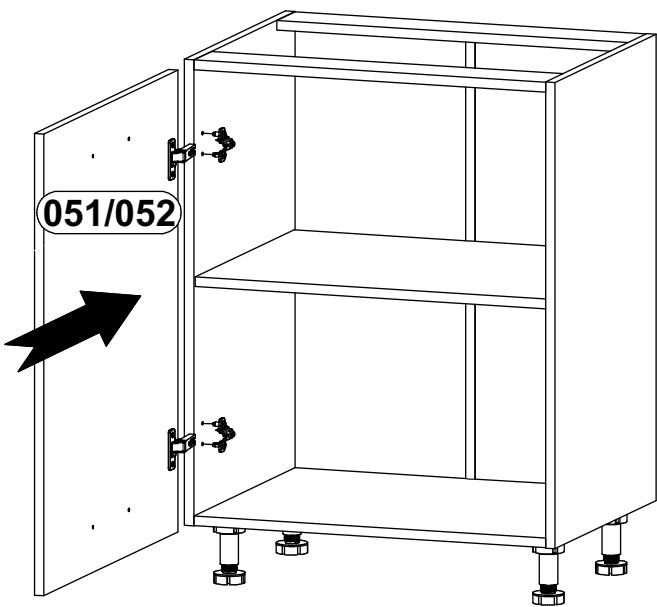
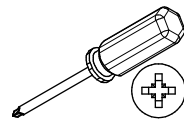
Z1 x2



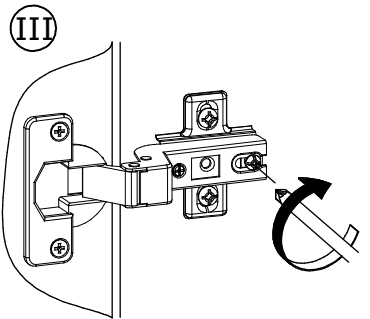
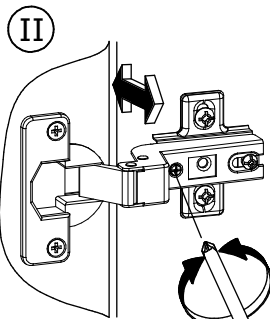
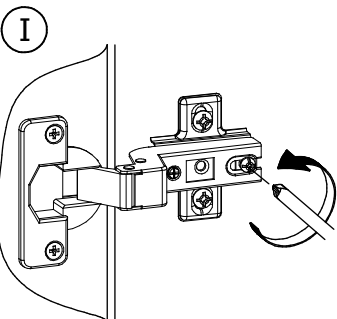
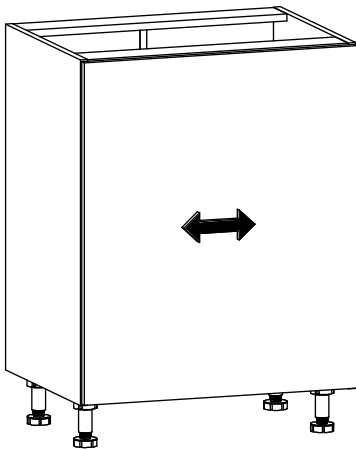
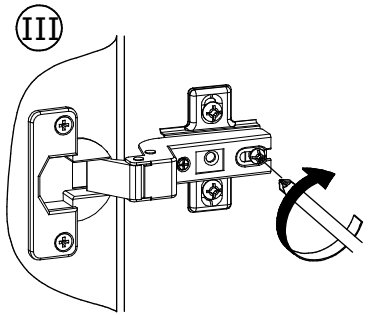
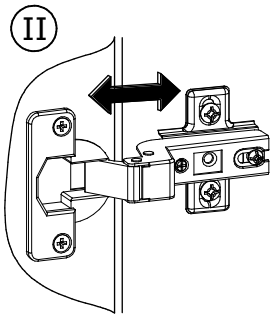
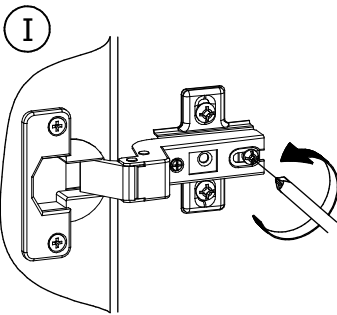
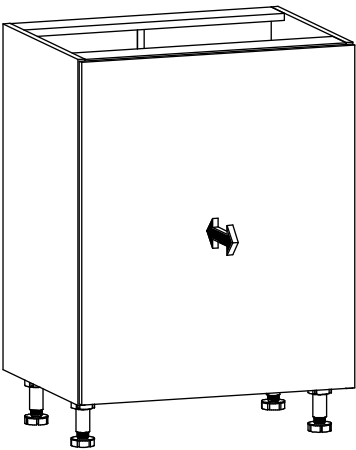
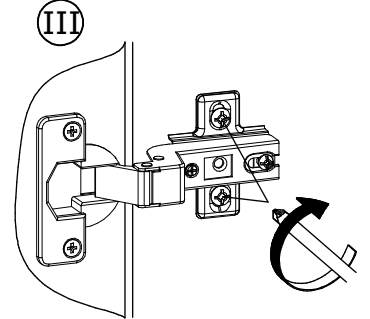
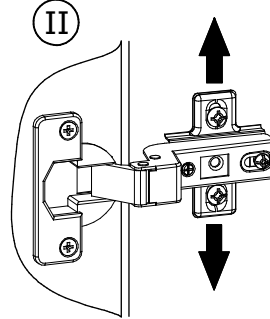
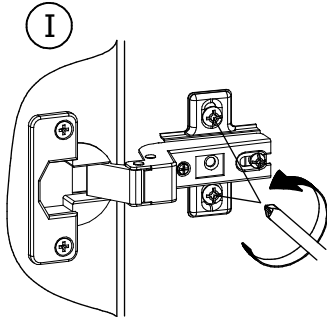
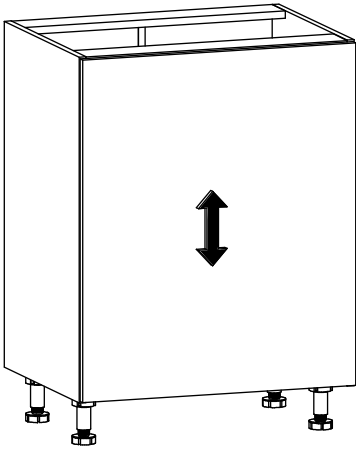
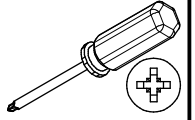
50x40, H=2



Z1



9



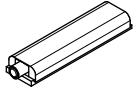
?

A

B

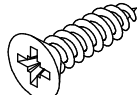
A

I20x

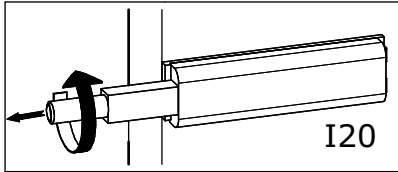


83x21x11mm

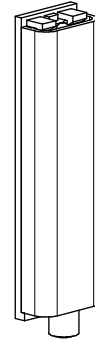
W2x



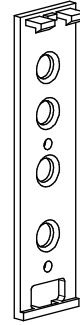
Ø3,5x16mm



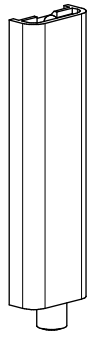
I20



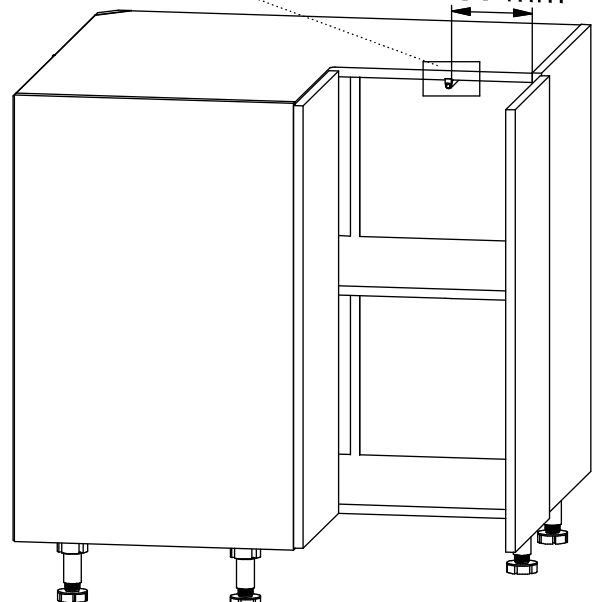
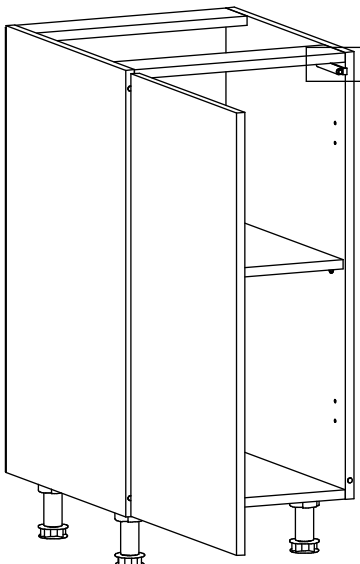
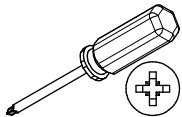
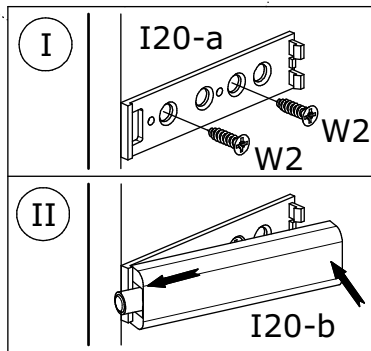
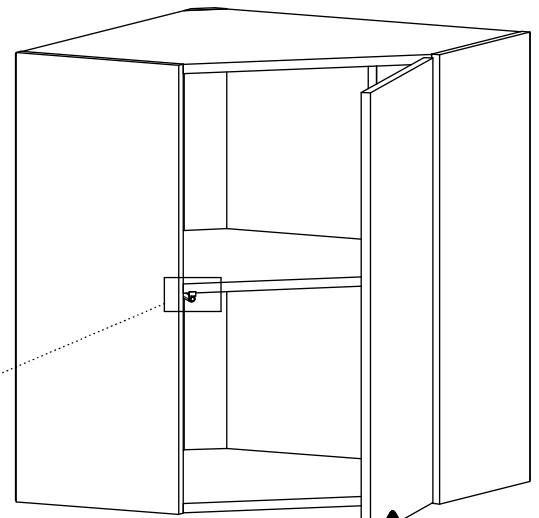
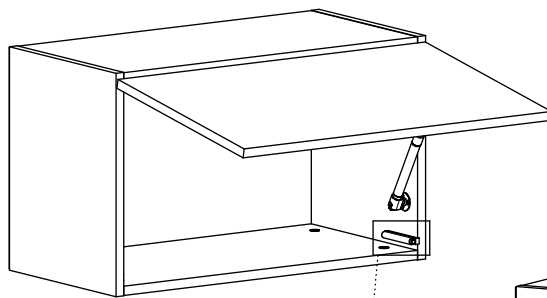
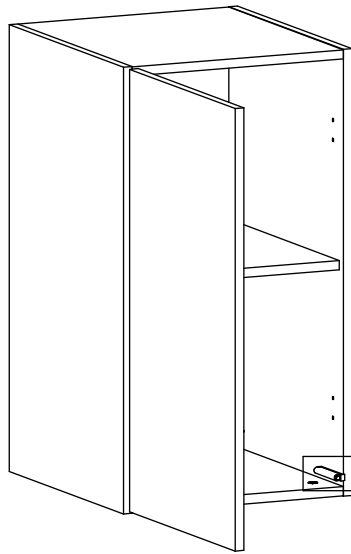
I20



I20-a

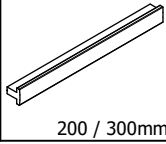


I20-b



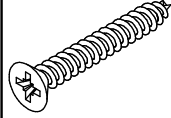
B

U18 / U19



200 / 300mm

W5

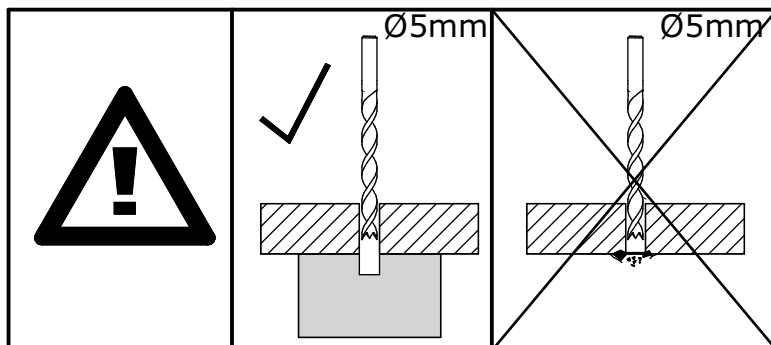
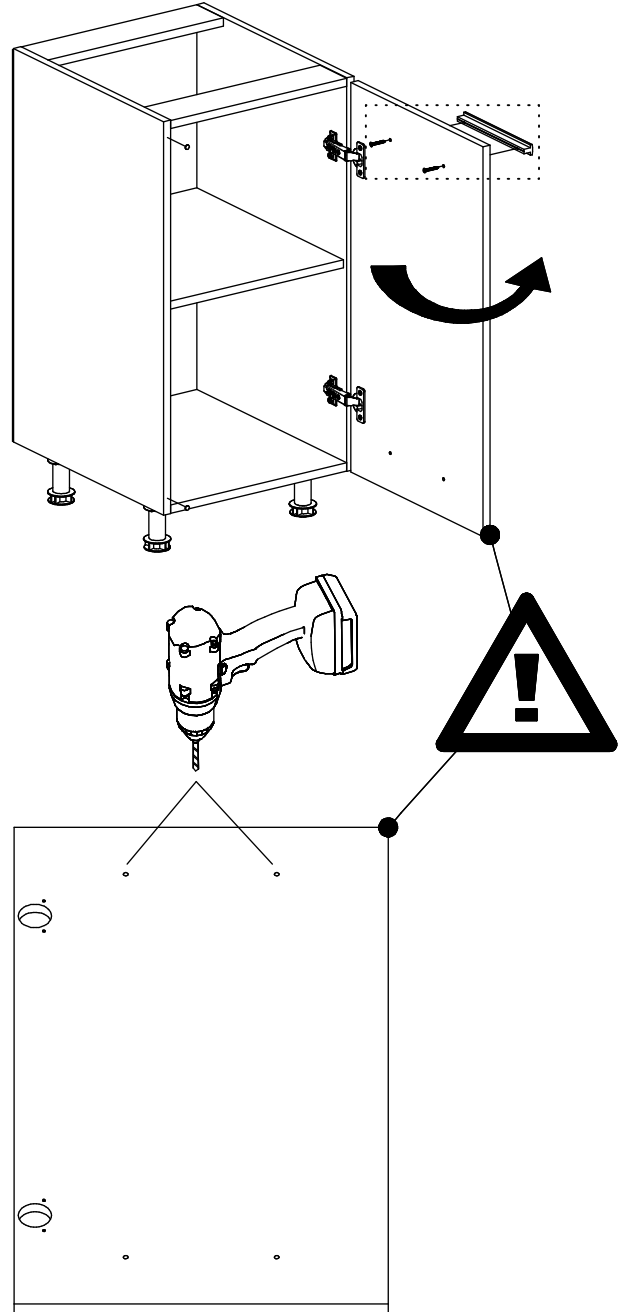
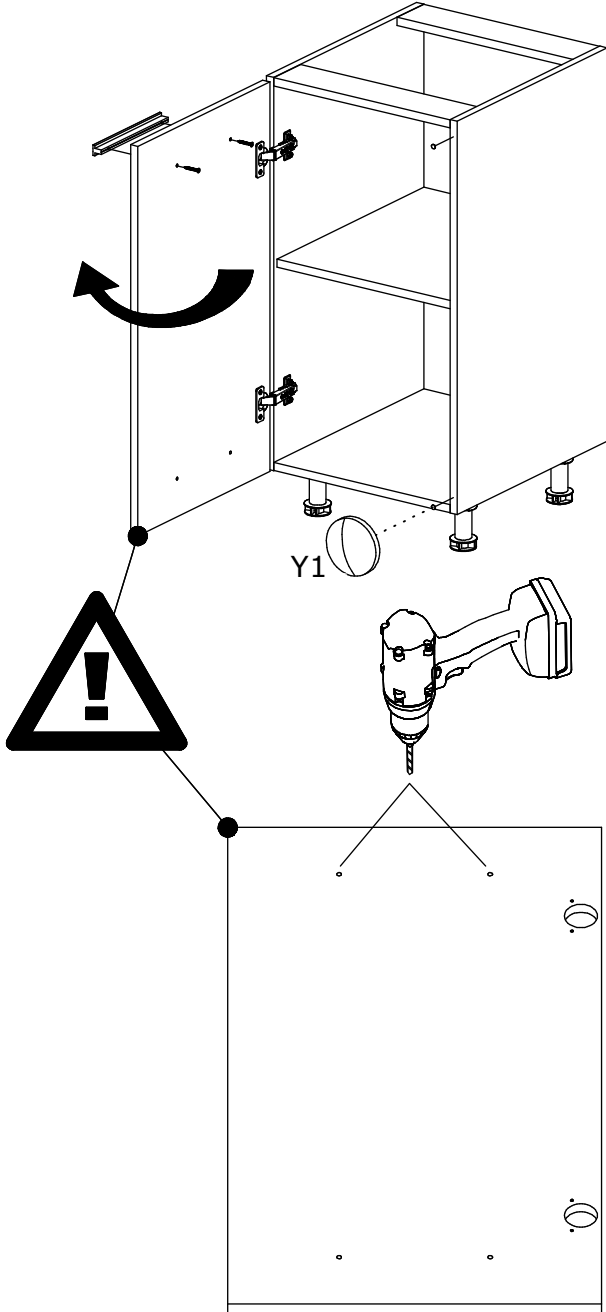
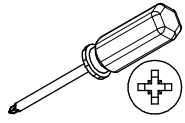
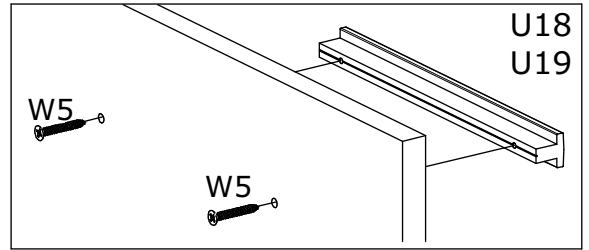


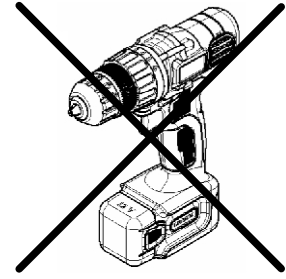
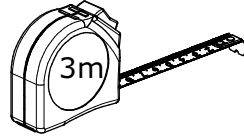
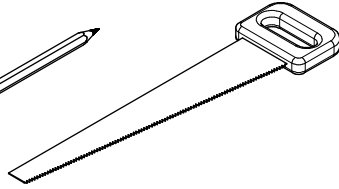
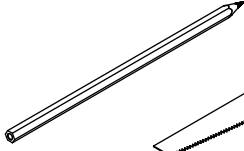
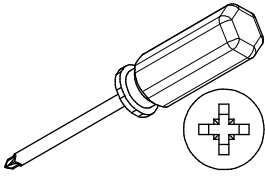
Ø4x30mm

Y1

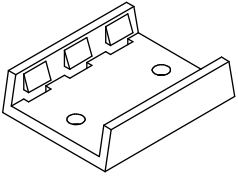


Ø8x1,5mm



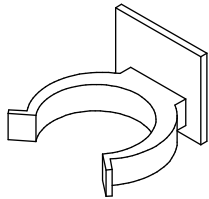


L6-ax8



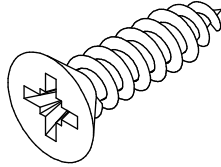
38x30x10mm

L6-bx8

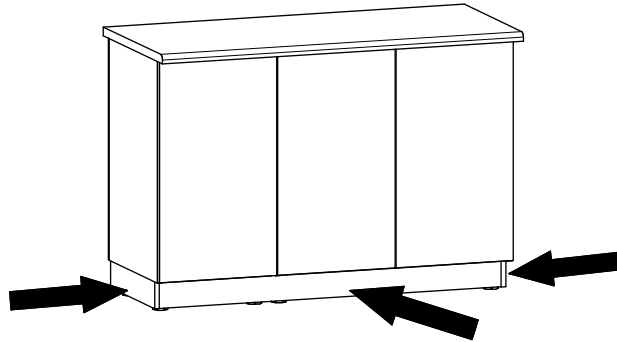
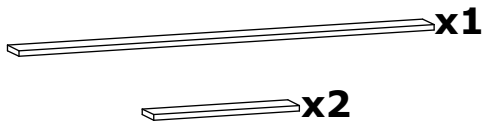


35x32x25mm

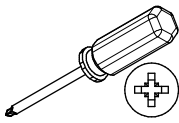
W2x16



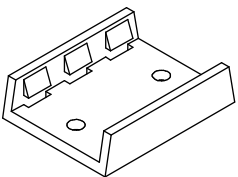
Ø3,5x16mm



C1

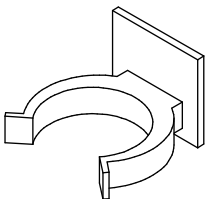


L6-ax4



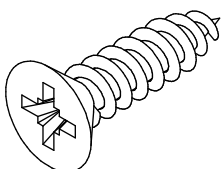
38x30x10mm

L6-bx4

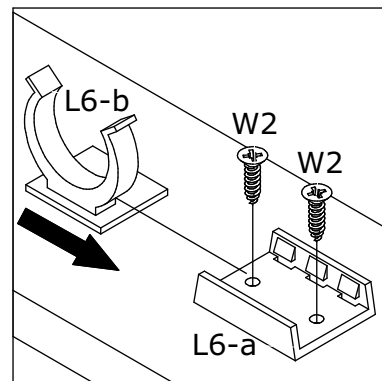
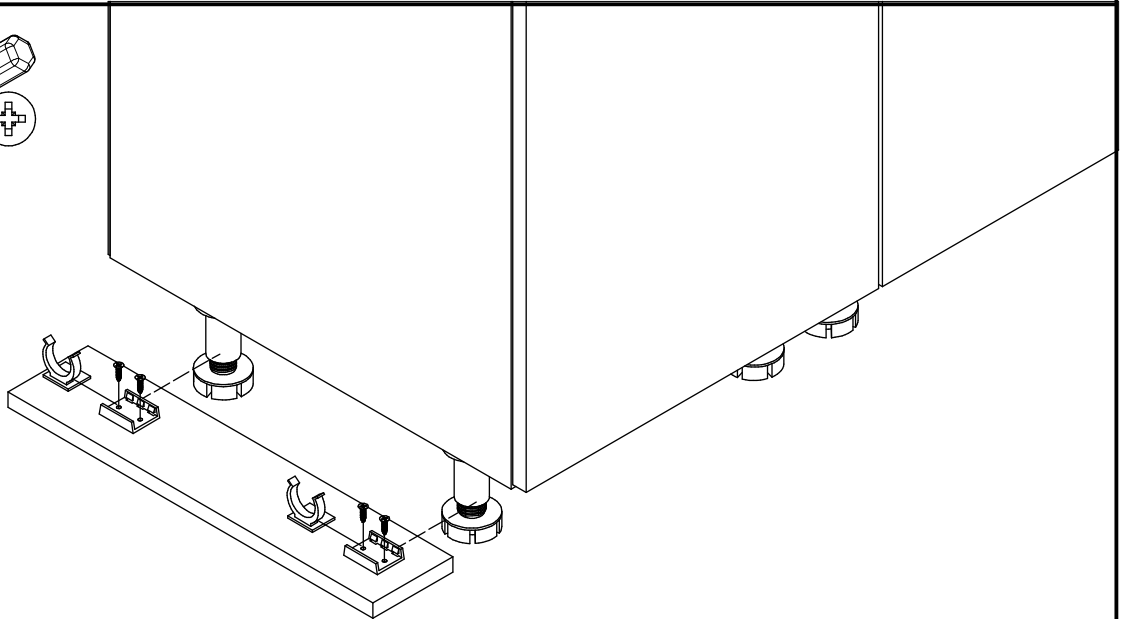


35x32x25mm

W2x8

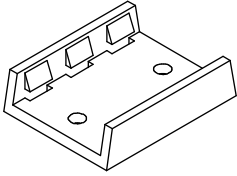


Ø3,5x16mm



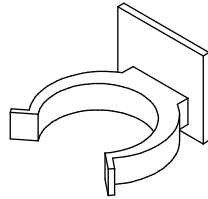
C2

L6-a×4



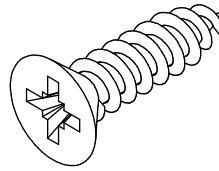
38x30x10mm

L6-b×4



35x32x25mm

W2×8



Ø3,5x16mm

