

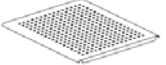




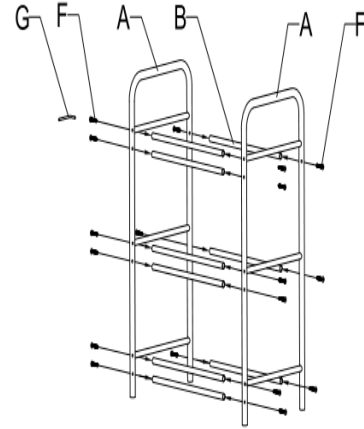


ORGON

A		2
B		9
C		3
D		2
E		2
F		18
G		

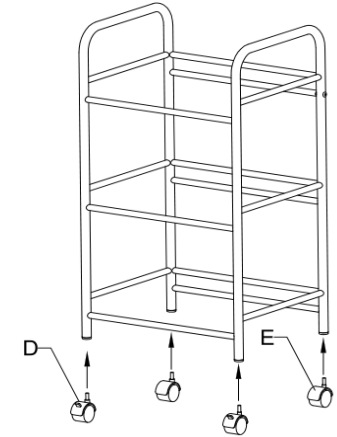
1

Ax2
Bx9
Fx18
Gx1



2

Dx2
Ex2



3

Cx3



4

